

Installation and Operation Manual

Wired Tone Generator



Safety Precautions

To prevent electrical shock, do not apply electrical power to the tone generator, signal relays or any other equipment before completing all wiring connections.

When using additional equipment such as an AllSync Master or SiteSync IQ System Controller, refer to the appropriate manual and instruction documentation before attempting setup.

For Masters/Signal Programmers and System Controllers

To protect against shorts between power and signal circuits, all wires connected to the power and signal circuit terminals must be insulated to 300vac.

Relay contact voltage must not exceed 220vac to prevent damage.

Specifications 4
 Physical Specifications 4
 Output Signal Specifications 5
Operation 6
 Use with SiteSync IQ Wired System Controller 7
 Use with AllSync Wired Master 8
 Use with YMP/YBP Clock/Signal Programmer 9
Contact Information and Customer Support 10

American Time
140 3rd Street South
PO Box 707
Dassel, MN 55325-0707

Phone: **800-328-8996**
Fax: **800-789-1882**
american-time.com

Specifications

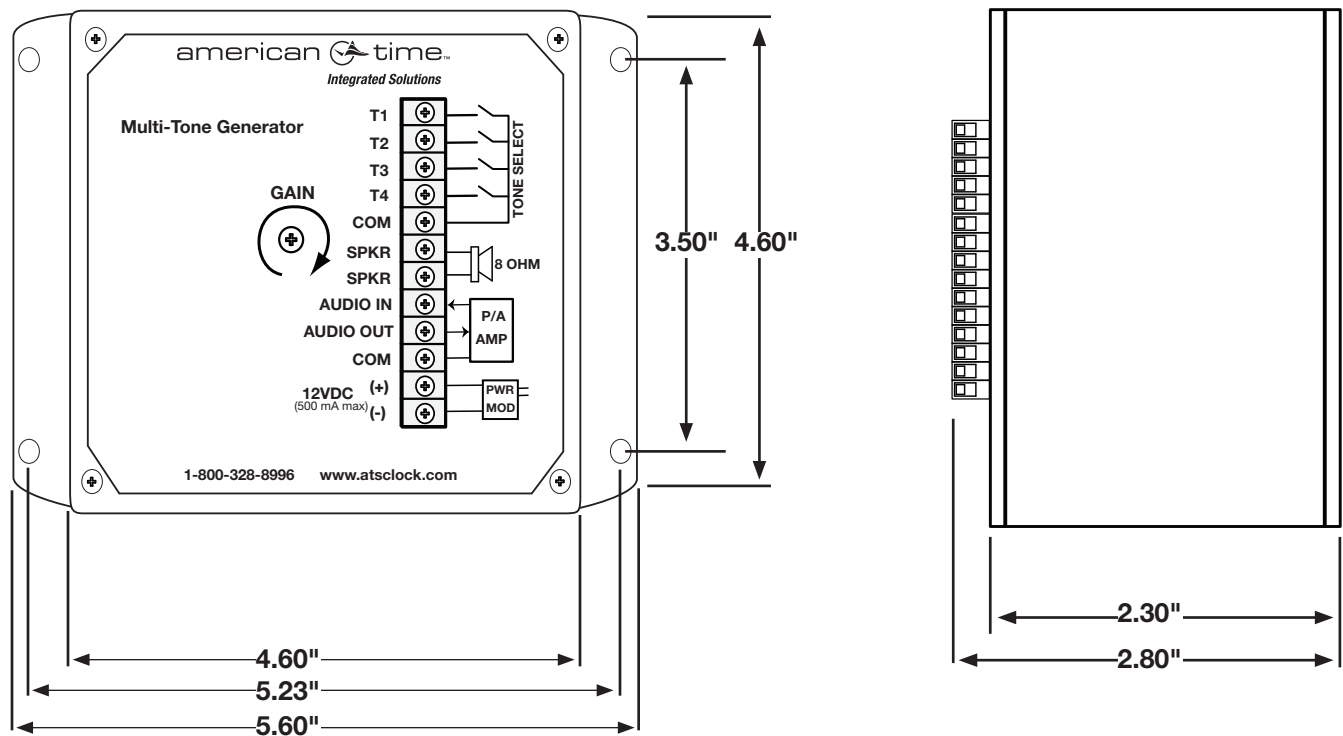
Operation

Contact Information

The tone generator is compact, easy to use, light weight and versatile. This manual covers the basic use and operation of the device. The tone generator comes in a durable gray plastic enclosure which is designed for easy mounting.

Physical Specifications

- Dimensions: 4.6"h x 5.6"w x 2.8"d
- Weight: 10.1 oz.
- Voltage Input: 120vac power module (included)
- Enclosure..... Light gray plastic



Order Information

Part # H004291A

Output Signal Specifications

Rated Output: Adjustable from 0-1.15 volt P-P

Load Impedance: 600 ohms or higher

Power Requirements: ... 12-15vdc, 1 amp maximum; plug-in power module included

Controls: Gain control - Screwdriver adjustment on the front panel

Inputs: T1-T4 four dry contact inputs for tone selection. The Audio In input
 allows normal background audio to play. Pre-empted by tone selection inputs
 T1-T4.

Tone Description	T1	T2	T3	T4
333 HZ Tone	■			
333 HZ Tone - 2 Pulses	■	■		
333 HZ Tone - 3 Pulses	■		■	
Chime		■		
Whoop			■	
700 HZ Tone				■
700 HZ Tone - 2 Pulses		■		■
700 HZ Tone - 3 Pulses			■	■

■ Indicates closed contacts on T1 through T4.
 Close multiple contacts to select desired sound.

- Steady tones and Whoop last for the duration of the contact input.
- Pulsed tones are 0.4 seconds ON and 0.4 seconds OFF with a one second break before repeating.
- A two pulse tone repeats every 2.5 seconds for the duration of contact input.
- A three pulse tone repeats every 3.25 seconds for the duration of the contact input.
- The Chime sounds once when the contact is closed and again when the contact is opened.

Specifications

Operation

Contact Information

Specifications

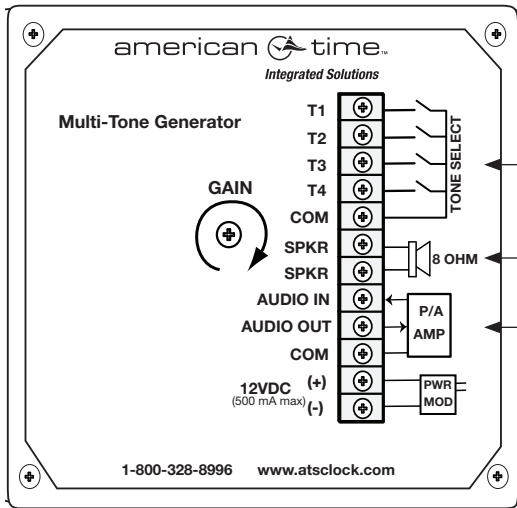
The audio input and output can be added to any amplifier, intercom or paging system. The unit can send one of the preselected tones or background music supplied by another music source.

The tone generator has eight distinct tones which can be triggered by closing a wired connection between the C (Tone Selection Common) and the proper T1, T2, T3 and T4 combination located on the terminal block. The Tone Selection Table (see below) lists which T1 through T4 combinations are needed for each desired tone.

Operation

The Power, Audio Input and Audio Outputs are also connected and labeled on the terminal block.

Contact Information



Apply a contact closure from T1, T2, T3 or T4 to C from a time switch, master clock or push button control. Apply jumpers to the T1, T2, T3 or T4 terminals as required for additional tones. See the Tone Selection Table below.

Speaker output (optional)

Connect the background audio from existing system to the Audio In. Connect the Audio Out to the input of the existing system.

Tone Description	T1	T2	T3	T4
333 HZ Tone	■			
333 HZ Tone - 2 Pulses	■	■		
333 HZ Tone - 3 Pulses	■		■	
Chime		■		
Whoop			■	
700 HZ Tone				■
700 HZ Tone - 2 Pulses		■		■
700 HZ Tone - 3 Pulses			■	■

■ Indicates closed contacts on T1 through T4. Close multiple contacts to select desired sound.

Use with SiteSync IQ® System Controllers

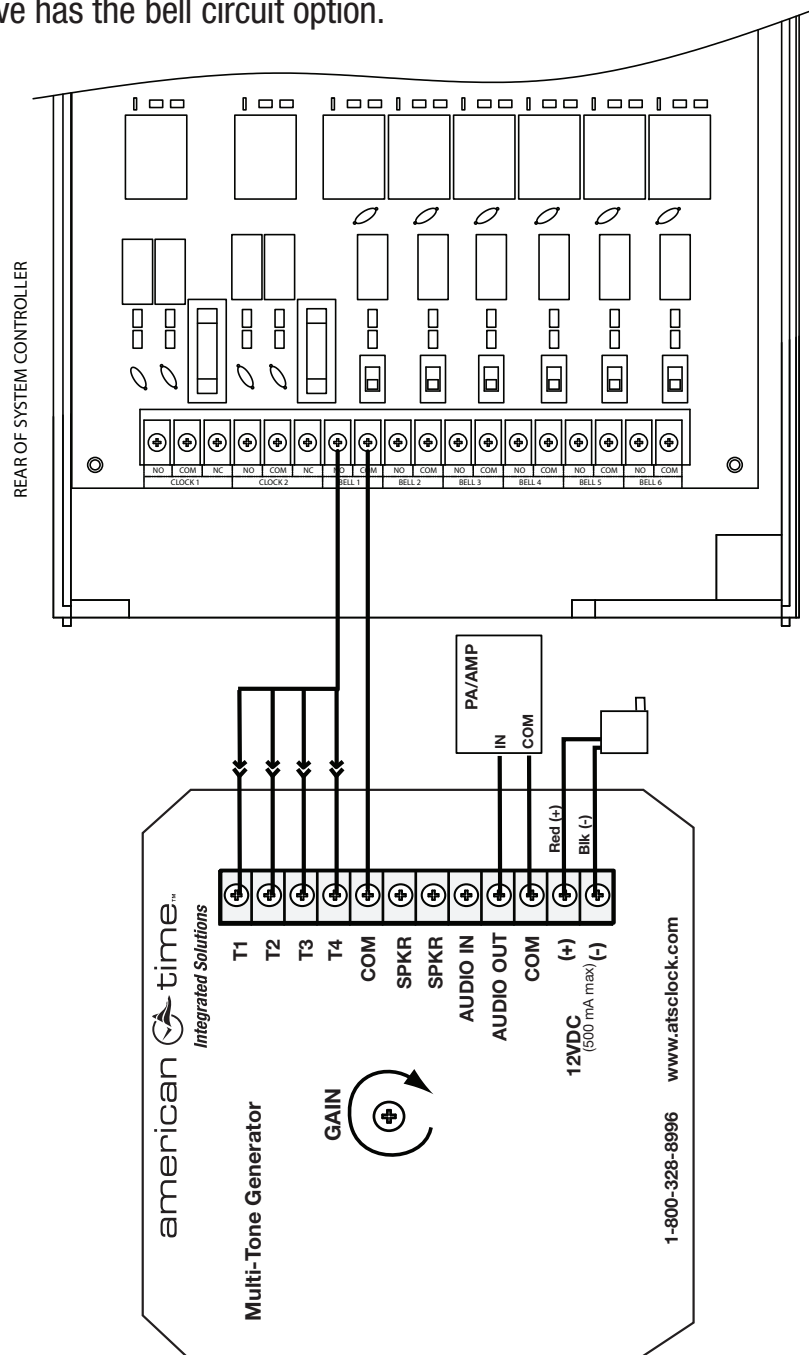
The tone generator can also be used in conjunction with the SiteSync IQ System Controller to schedule the triggering of tones. This can be done by hardwiring the tone generator to the SiteSync IQ System Controller or wirelessly through the SiteSync IQ transmitter.

The unit can be triggered by wiring the desired T1-T4 combinations to the NO terminal of one of the six bell circuits located on the back of the SiteSync IQ system controller. The COM terminal of the system controller bell circuit should then be connected to the C terminal (Tone Selection Common).

The user can now set up circuit events on the SiteSync IQ system controller which control when and how long the desired tone is triggered off and on.

Note: See the SiteSync IQ Wireless Installation Manual before installation. Also, verify that the system controller you have has the bell circuit option.

Wiring Diagram



Specifications

Operation

Contact Information

Specifications

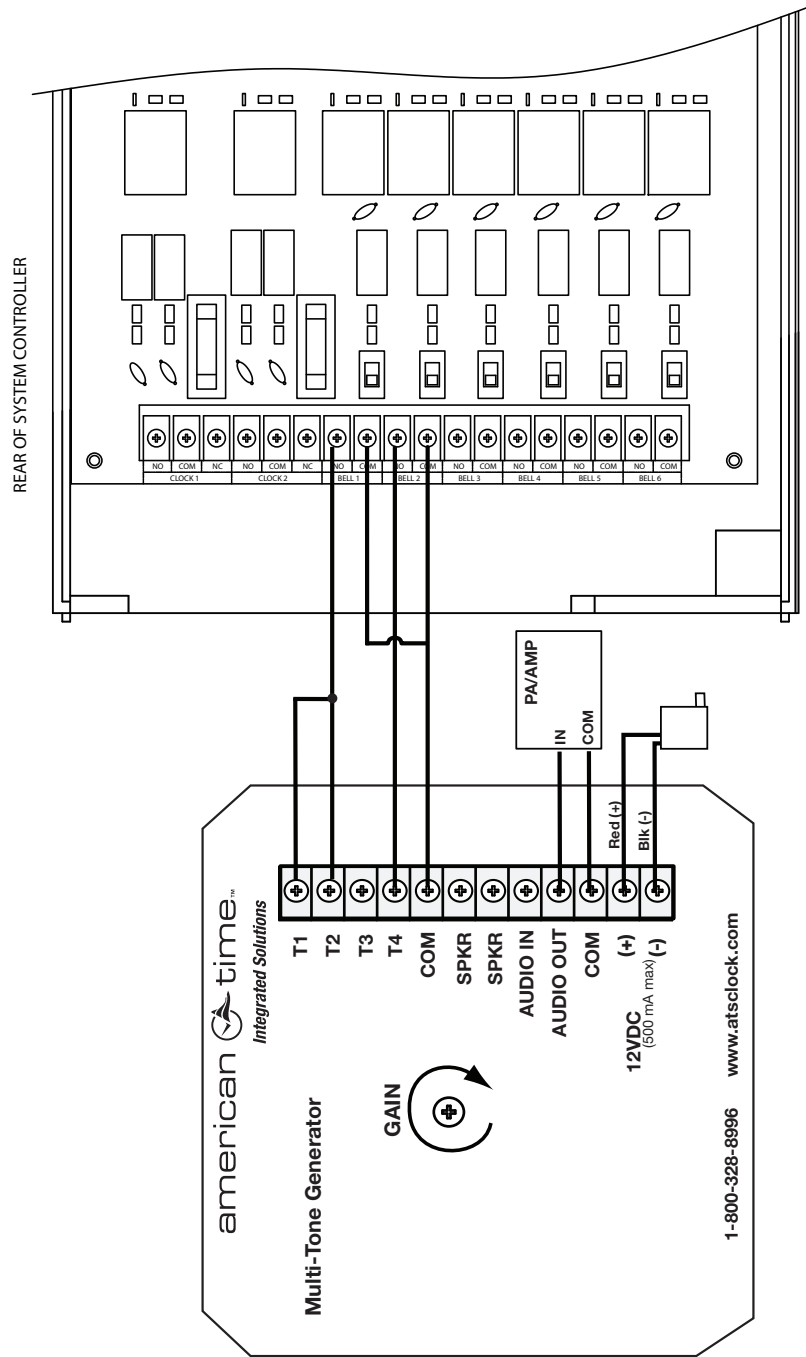
Operation

Contact Information

Wiring Example – Operating multiple tones with multiple circuits

Bell Circuit 1
activating the 333Hz
2 pulse tone.

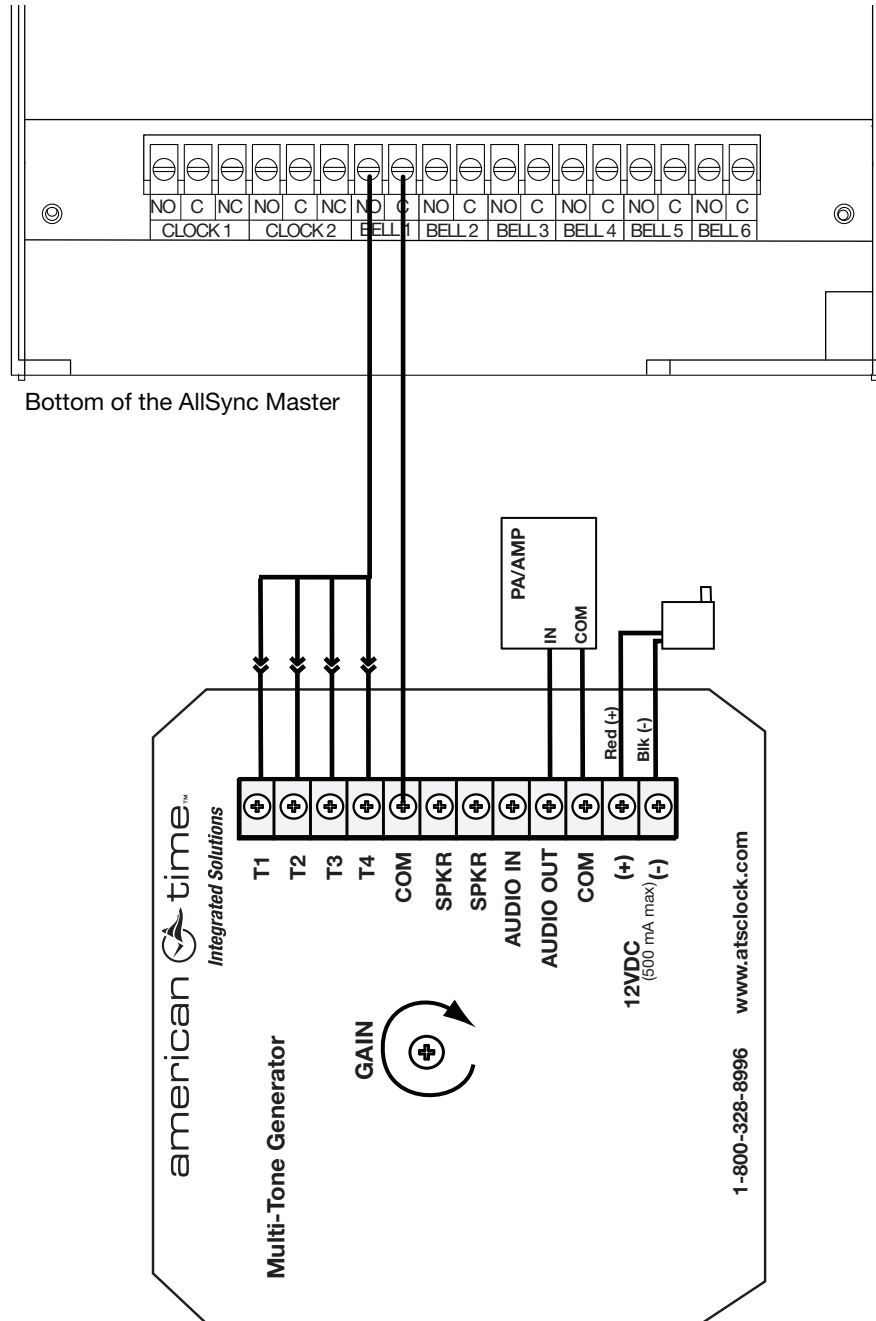
Bell Circuit 2
activating the 700Hz
steady tone.



Use with AllSync® Masters

The tone generator can be easily triggered by an AllSync Master. The figure below shows one way of wiring the tone generator to the master.

Note: See the AllSync Installation Manual before installation. Also, verify that the master you have has the bell circuit option.



Specifications

Operation

Contact Information

Specifications

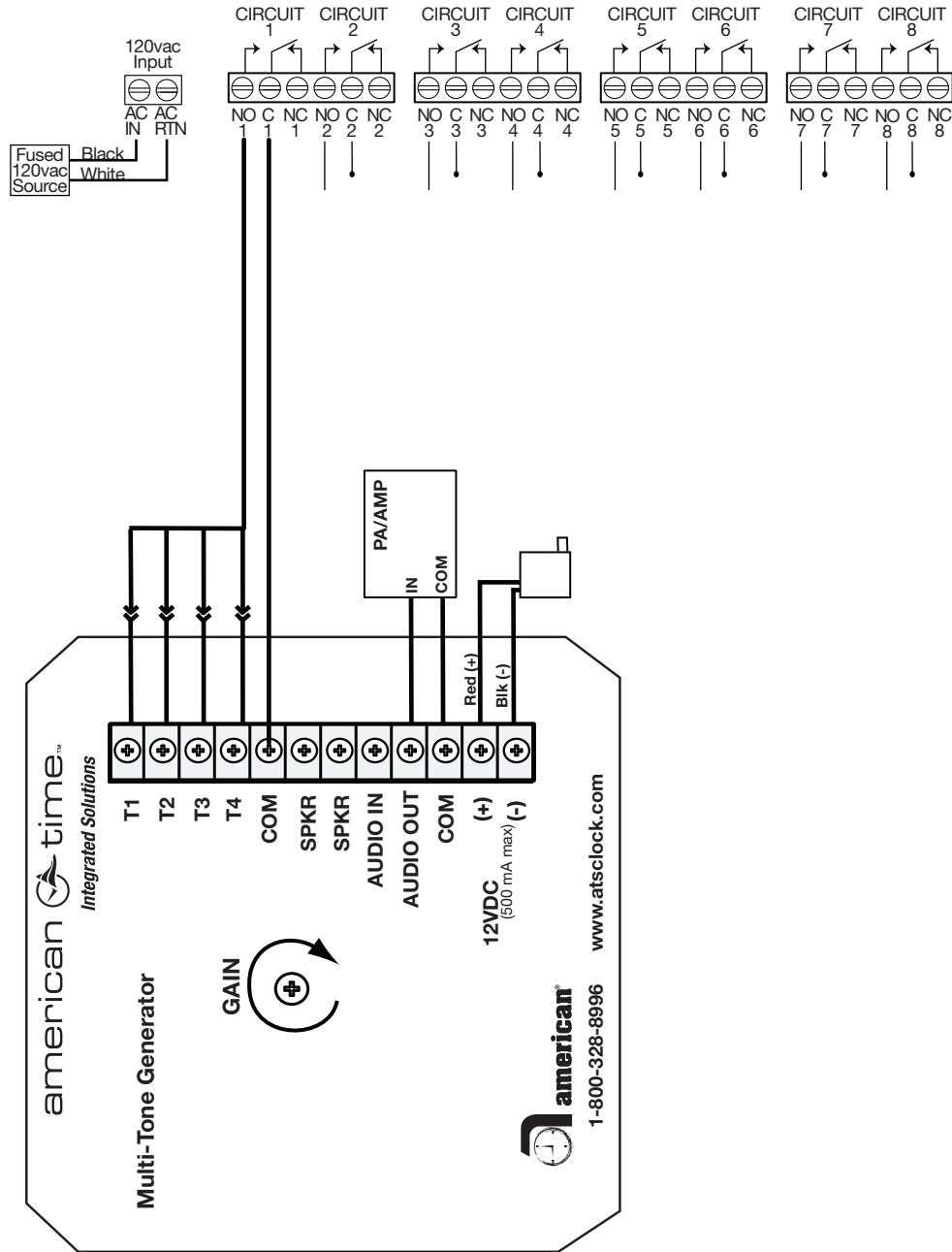
Use with YMP Plus/YBP Plus Clock/Signal Programmers

The tone generator can easily be triggered by the YMP Plus or YBP Plus Clock/Signal Programmers. The figure below shows one way of wiring the tone generator to the clock/signal programmer. Setting the schedule to trigger the circuits is described in the YMP Plus and YBP Plus Installation Manuals.

Note: See the YMP Plus or YBP Plus Installation Manual before installation. Also, verify that the master you have has the circuit option.

Operation

Contact Information



For additional support on product setup, on the tone generator or on any of the American Time products, please call or visit our web site.

American Time
140 3rd St. So.
PO Box 707
Dassel, MN 55325-0707
Toll Free Phone: **800-328-8996**
Toll Free Fax: **800-789-1882**
atsclock.com

Specifications

Operation

Contact
Information