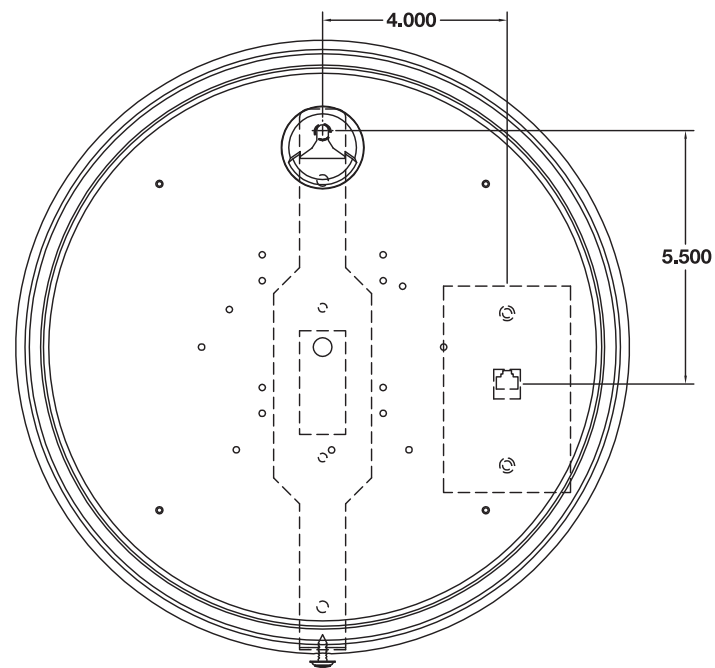
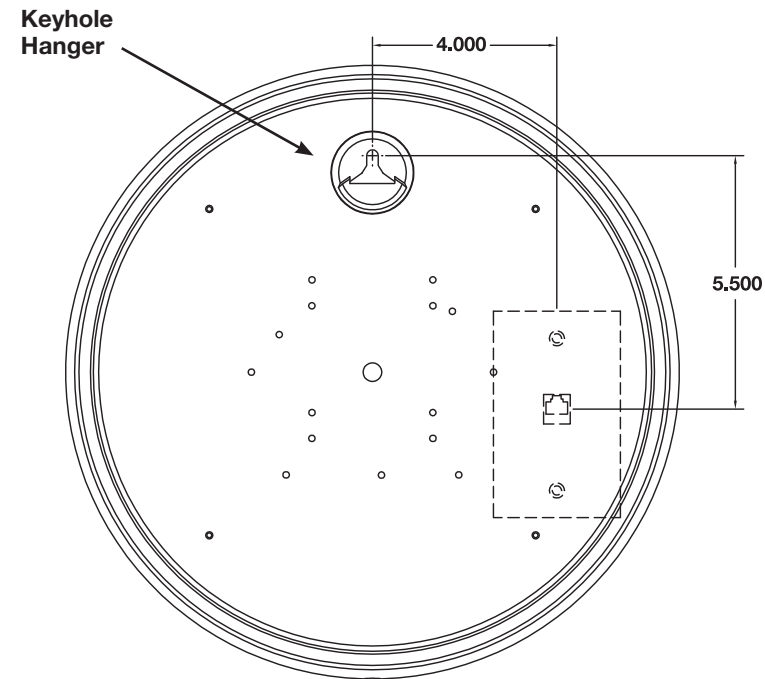


6

Hang your clocks

1. Place the clock on the wall using the keyhole hanger on the back of the clock or the optional security bracket (sold separately).

Note: If hanging your clock over an Ethernet jack, offset the clock as shown below.



Power Over Ethernet (PoE) Analog Clocks



Please read this first!

If this is your first installation or you have questions at any time during this process, please call American Time toll free at **800-328-8996**.

1

Pre-Installation

1. Verify network infrastructure with Network Administrator.
 - Power over Ethernet (PoE) solution
 - Dynamic Host Configuration Protocol (DHCP) settings
2. Plan Analog PoE Clock locations and cabling routes

2

Unpack the box

- Remove the components from the box. Save the packing materials in case you need them later.

3

Check the contents

Your package contains:

- Analog PoE clock(s)
- 1ft CAT 5 or higher Ethernet patch cable
- Quick Start Guide
- Installation & Operation Manual
- USB Drive (optional) with Network Clock Connect Software—Part #H004167B-POE

american  time®

Integrated Solutions

phone: **800-328-8996**

fax: **800-789-1882**

online: **american-time.com**

mail: **140 3rd St. So.; PO Box 707, Dassel, MN 55325-0707**

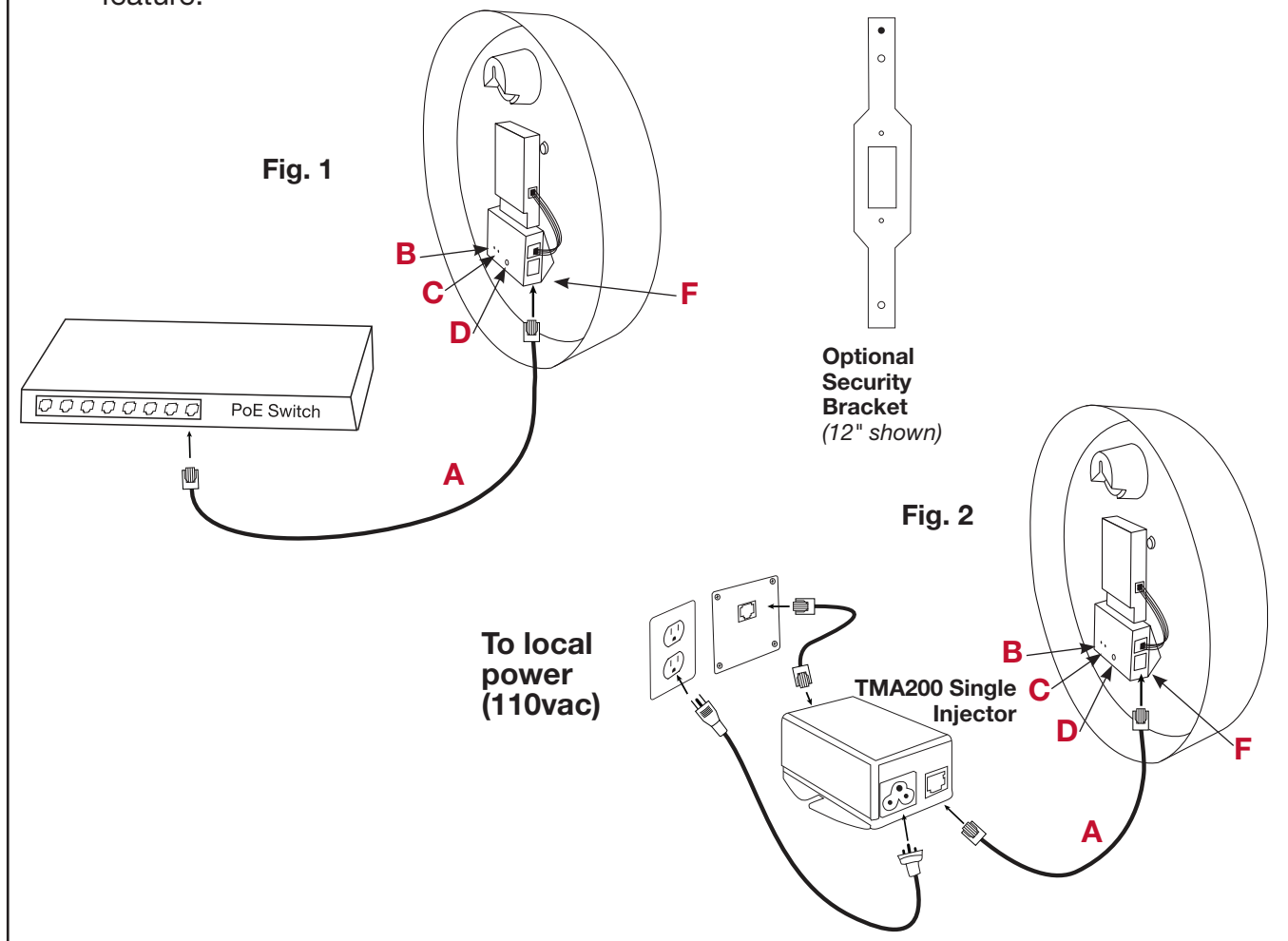
QUICK START INSTALLATION GUIDE

4 Set up the Clock

1. Apply power to the clock by connecting a CAT 5 or higher Ethernet patch cable (A) from a PoE switch (Fig. 1) or single injector (Fig. 2) to the PoE receiver (F).
 - PoE Switch (Fig.1) - Check with network administrator for infrastructure needs. This part is not supplied by American Time.
 - PoE Injector (TMA200) (Fig. 2) - This is an optional power source that may be purchased from American Time.
2. The Status LED (B) will indicate the clock's status as follows:
 - Flashing Orange: Acquiring an IP address using DHCP
 - Flashing Red: Attempting SNTP sync
 - Continuous Red: Failed SNTP sync
 - Flashing Green: Received SNTP sync
 - Continuous Green: Successful SNTP sync

Note: When a DHCP network is not present at initial start up, the PoE clock will default to a random Static IP in the range of 169.254.1.0 to 169.254.254.255. For more details reference the Power over Ethernet (PoE) Clock Installation & Operation Manual at <http://www.atclock.com/support/poe-clocks.cfm>.

3. The Buzzer LED (C) designates if the buzzer is enabled. The buzzer is an optional feature.



A=PoE connection (CAT 5 or higher Ethernet patch cable) B=Status LED C=Buzzer LED
D=Default Button E=Keyhole Hanger F=PoE Receiver

POWER OVER ETHERNET ANALOG CLOCKS

5 Adjustments via Network Clock Connect

1. Download Network Clock Connect from: www.american-time.com/support/software-firmware-updates. Click Search Now and click on Network Clock Connect from the list. The software will automatically download. It is also available from the optional USB Drive (H004167B-POE, purchased separately).
 2. Install Network Clock Connect application – Password = clock4u (default)
 3. Network Clock Connect will allow you to configure:
 - Network address settings
 - Time Synchronization settings
 - Daylight Saving Time settings
 - Schedules (Buzzer clocks) - maximum of 100 scheduled events
- For more details, reference the Power over Ethernet (PoE) Clock Installation and Operation Manual.