

6 Activate and hang your clocks

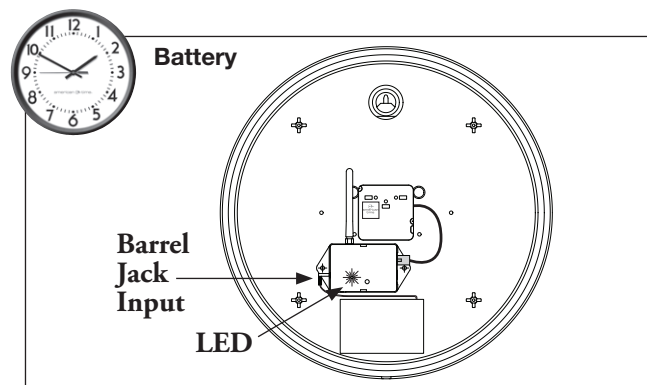
Don't activate the battery or apply power to the clocks until the Remote Transmitter is installed and transmitting and the clock is in the intended location.

Activation Note: Clocks should be installed within 24 hours of installing the Remote Transmitter. After 24 hours, the Remote Transmitter will enter Quiet Mode. To disable Quiet Mode reference the Remote Transmitter installation and Operation Manual section Remote Transmitter Connect Configuration tab step 5 and Appendix F.

Battery Analog Clocks

1. Take the clock to the area where it will be used.
2. To activate the clock, connect barrel jack plug of battery pack to wireless receiver. The LED on the back of the clock will flash red within 30 seconds of power-up to indicate receiver is looking for the wireless signal.
When the signal is received, the LED will flash green. Be patient. The clock hands will rapid advance to the correct time. This may take up to 7 minutes.
3. Hang the clock after hands are rapid advancing.

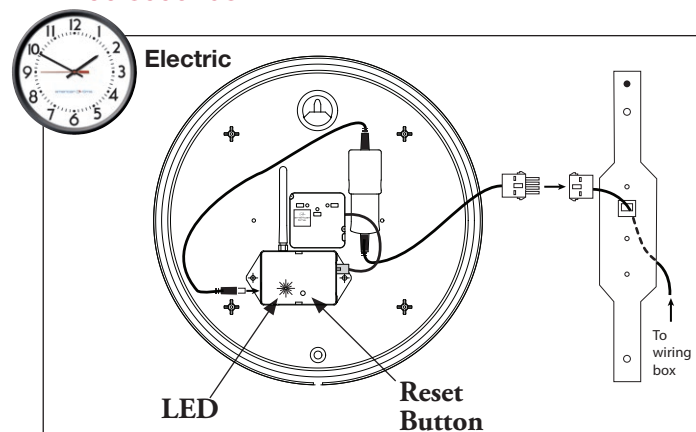
Note: If the LED does not flash within 30 seconds, remove the barrel jack plug of the battery pack from the wireless receiver for 5 seconds and reconnect it. This resets the receiver. The LED will begin flashing within 30 seconds.



Electric (AC) Analog Clocks

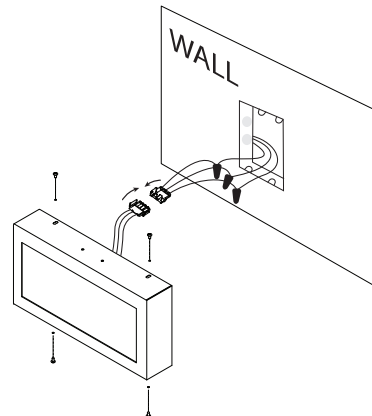
1. Take the clock to the area where it will be used.
2. To activate the clock, connect to AC power. The LED on the back of the clock (see below) will flash red within 30 seconds of power-up to indicate receiver is looking for the wireless signal.
When the signal is received, the LED will flash green. Be patient. The clock hands will rapid advance to the correct time. This may take up to 7 minutes.
3. Hang the clock once signal reception is verified and clock is operating correctly.

Note: If the LED does not flash within 30 seconds, disconnect the barrel plug on the clock receiver, wait 10 seconds and reconnect. The LED will begin flashing within 30 seconds.



American Series Digital Clocks

1. Take the clock to the area where it will be used.
2. To activate the clock, connect to AC power.
3. Display will flash "U40" or 1:00 o'clock until it receives a signal.
4. Verify synchronization takes place within 2-5 minutes.



Your SiteSync IQ system is now set up for proper operation. For information on other features, see the Installation and Operation Manual that was included with your system. If you have any questions, please contact Technical Support at American Time: **800-328-8996**.

SiteSync IQ® Remote Transmitter with Campus TX Antenna



Please read this first!

After determining the proper wattage for your facility, we guarantee the coverage of your Remote Transmitter when you follow a few simple steps. If this is your first installation or you have questions at any time during this process, please call American Time toll free at **800-328-8996**.

We're here to help!

This Quick Start Guide will help you avoid three common installation mistakes:

1. **Improper location of transmitting (TX) antenna. A temporary install of the Remote Transmitter is recommended.**
Don't drill holes for permanent installation and mounting until the system is working correctly.
2. **Improper Remote Transmitter start-up. A successful transmission is indicated by the PTT and DATA LED's flashing on the front of the unit.**
Don't locate the campus TX antenna within 4' of the remote transmitter.
3. **Improper clock start-up. Activate clocks in their intended location.**
Don't activate the clocks in one room and move them to another location as signal reception will not be verified. Make sure the Remote Transmitter is transmitting and is not in Quiet Mode.

Important Note: Clocks should be installed within 24 hours of installing the Remote Transmitter. After 24 hours, the Remote Transmitter will enter Quiet Mode. To disable Quiet Mode, reference the Remote Transmitter Installation and Operation Manual section Remote Transmitter Connect Configuration tab step 5 and Appendix F.

american  time®

Integrated Solutions

phone: **800-328-8996**

fax: **800-789-1882**

online: **american-time.com**

mail: **140 3rd St. So.; PO Box 707, Dassel, MN 55325-0707**

QUICK START INSTALLATION GUIDE

SITESYNC IQ® REMOTE TRANSMITTER

1

Unpack the box

1. Remove the components and Remote Transmitter from the box. Save the packing materials in case you need them later.

2

Check the components

Your system kit comes with:

- Remote Transmitter
- Power cord (B)
- Campus TX antenna kit (C)
- Installation and Operation Manual

3

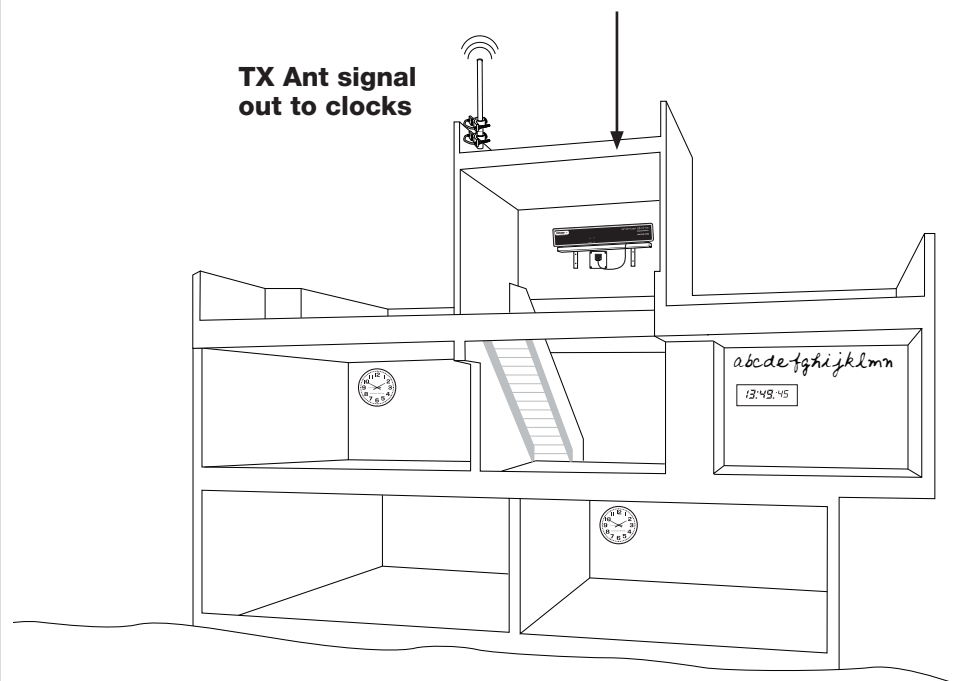
Choose your location

- Locate the Remote Transmitter in an area with a network drop, or run an Ethernet data cable to the unit from a network switch or hub.
- Choose a location for your campus TX antenna either outside or inside at the highest central location in your facility.

The TX antenna must be located at least 4' away from the Remote Transmitter.

Remote Transmitter located high & central with Ethernet drop for time reference

TX Ant signal out to clocks

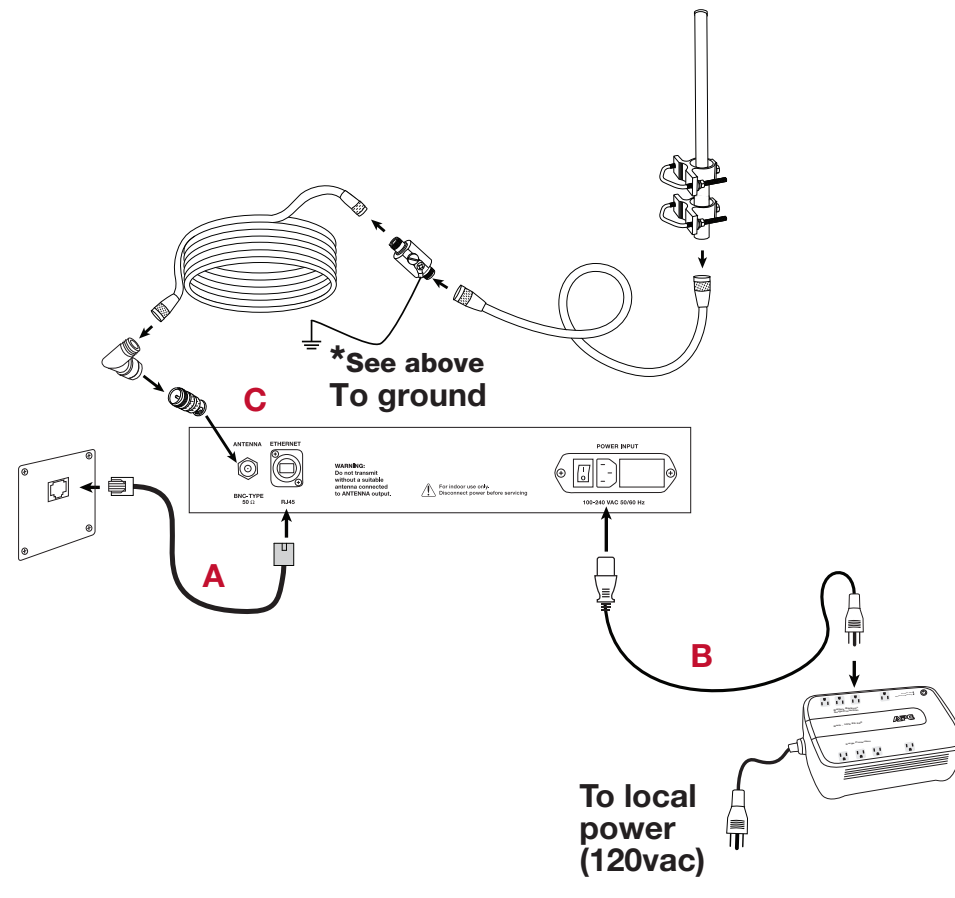


4

Connect cables to the Remote Transmitter

- A. Connect a CAT 5 or higher Ethernet patch cable (not included) to the ETHERNET RJ45 port.
- B. Connect the power cord to the Remote Transmitter.
- C. Connect campus antenna to the Antenna port. *Lightning arrestor must be grounded per local electrical code.

Plug 110v cord into power source. Turn the POWER SWITCH on the back of the Remote Transmitter to the on position.



5

Setup the Remote Transmitter

1. Record the last 6 digits of the Serial Number in the empty spaces below. The Serial Number is located on the product label on the bottom of the Remote Transmitter.

Host Name: s q r t _____

The Host Name is used to identify the Remote Transmitter on the network.



Example Product Label

5

continued

2. The default Ethernet setting has DHCP enabled to automatically obtain its TCP/IP network setting from a DHCP server. Launch your web browser, and enter the above recorded host name `http://sqrxxxxx/` into the URL field of the web browser. Press the Enter key. This will connect to the Remote Transmitter's configuration utility Remote Transmitter Connect.

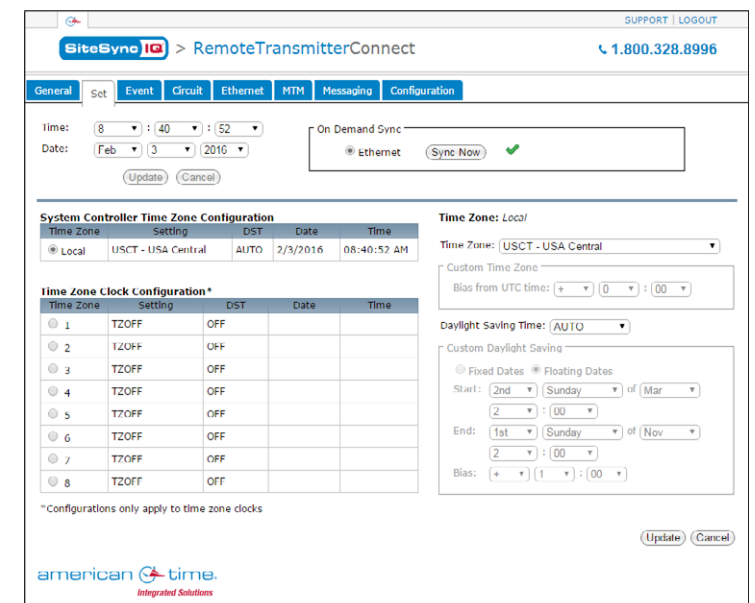
Note: If the Remote Transmitter is on a network without a DHCP server the default address of the Remote Transmitter will be 192.168.10.10.

Note: If a static IP is required for your network, reference the Remote Transmitter Installation and Operation Manual.

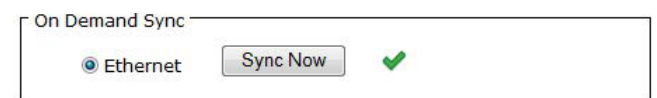
3. Once you are connected to the Remote Transmitter a User Login window will appear. Enter `sclock` in lowercase letters in the User Name field and `sclock` in the Password field. This is the default service login which will allow access to all menus. Then, click the Login button.

Note: Passwords may be changed in the Configuration Tab.

4. Click on the Set tab menu and verify the appropriate local time zone from the drop down menu.



5. Daylight Saving Time default is set to AUTO. If your location doesn't observe DST select drop down menu to OFF.
6. To confirm proper setup, enable the On Demand Sync Ethernet button and press Sync Now. If successful a green check-mark will appear next to the Sync Now button.



7. Verify the unit is transmitting. The PTT and Data LED's on the front of the Remote Transmitter should flash every 30 seconds unless in Quiet Mode.