



G2075

FEATURES

- Bright zinc plated
- Epoxy lacquer clear coat
- Multiple sizes
- Constructed with heavy gauge wire

GENERAL

american time™ guards are designed to protect your equipment from inadvertent damage while maintaining optimum visibility. ATS stocks a wide variety of shapes and sizes for immediate delivery to you. Ask your customer service representative about our custom guards manufactured for the unique products you need to protect. Measurements are inside dimensions.

DESCRIPTION

american time™ guards are plated and clear coated for corrosion resistance and optimal appearance. The finish on the guards is designed for protection wherever they are used, internal or external. Some of the guards are hinged for easy access to the product after attachment to the wall. Mounting hinges can be added to all other guards for additional cost. Call our customer service representatives for pricing. ATS guards are manufactured with #3 gauge, (approx. .250" diameter), #6 gauge (approx. .200" diameter) or #8 gauge (approx. .150" diameter) wire material. Guards have welded tabs with mounting holes (designed to accept .250" diameter fastening lags, bolts or screws) or looping foot attachments for easy installation.

ORDERING INFORMATION

Part #	Size	Hole Openings
3 Gauge Wire		
G2075	15 ³ / ₄ " x 12 ¹ / ₄ " x 4 ³ / ₄ " deep	14" x 2 ¹ / ₄ "
G2060	16 ¹ / ₄ " x 16" x 8 ³ / ₄ " deep	16" x 2 ¹ / ₄ "
G2074	18 ¹ / ₂ " x 16" x 14" deep	18" x 3"
G2070	19 ³ / ₄ " x 18 ¹ / ₄ " x 6 ¹ / ₄ " deep	18" x 2 ³ / ₄ "
G2071	19 ¹ / ₄ " x 19" x 13" deep	9 ³ / ₄ " x 2 ¹ / ₄ "
G2014	17" x 10" x 2 ¹ / ₂ " deep	3 ¹ / ₄ " square
G2069	16 ¹ / ₂ " x 11" x 9" deep	16" x 2"
G2056	18" x 14 ³ / ₄ " x 6" deep	17 ³ / ₄ " x 2 ³ / ₄ "
6 Gauge Wire		
G2023	16 ¹ / ₄ " x 8 ¹ / ₄ " x 8" deep	8" x 3"
G2058	16 ¹ / ₄ " x 16" x 14" deep	16" x 3"
G2370	18" x 7" x 7" deep	17" x 2"
3 & 6 Gauge Wire		
G2017	17" x 14" x 6" deep	5 ¹ / ₄ " x 3 ³ / ₄ "



G2060



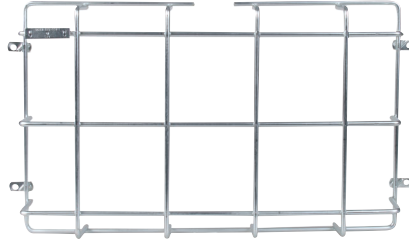
G2074



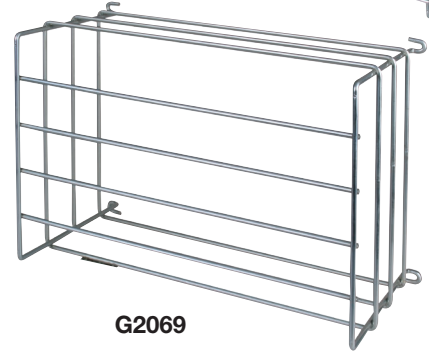
G2070



G2071



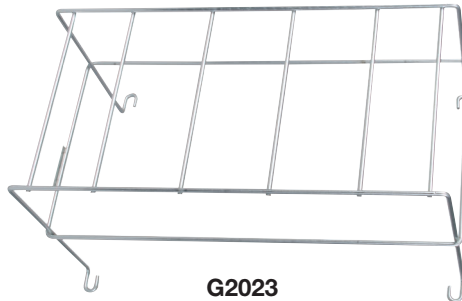
G2014



G2069



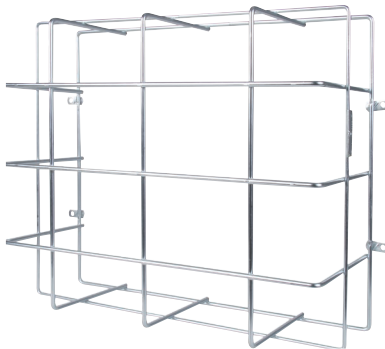
G2056



G2023



G2058



G2017



G2370

At American Time, we continually strive to improve our products to meet our customers' needs and to provide the best possible value. The above specifications are believed to be correct, are subject to change without notice and may otherwise vary from the above. Please call if you need verification of any specifications or the suitability of a particular product for a particular application. © American Time