



FEATURES

- 5 Year Warranty
- Automatic adjustment for Daylight Saving Time
- No signals or antennas required
- 120vac
- Impact-resistant plastic case, with built-in hanger
- Shatter-resistant polycarbonate crystal

GENERAL

The american time™ AllSet electric clocks, with automatic DST, are ideal for schools, hospitals, and state and federal buildings. Clocks are provided in a round high-impact black plastic case with shatter-resistant safety crystal and bold, black numerals and minute markers on a non-yellowing white dial. Customization of dials is available. The hour and minute hands are aluminum with a black finish and a red sweep hand.

DESCRIPTION

The AllSet quartz clock movement features a microchip with an internal lithium battery that keeps track of the current date and time. The microchip is programmed to make the daylight saving time changes at 03:00 a.m. Eastern, 02:00 a.m. Central, 01:00 a.m. Mountain and 12:00 a.m. Pacific time twice a year. In the fall, the movement will stop moving the hands for one hour and start ticking again when the clock is on time to adjust from daylight saving time to standard time. In the spring, the movement will advance the hands forward one hour, at an accelerated speed, to achieve the correct daylight saving time.

Clocks use a quartz-based electric movement which operates from 120vac for years of maintenance-free operation.

Note: Time must be manually set at startup and after power outages. Internal time/date is only used for moving hands for DST changes.

ORDERING INFORMATION

Part #	Description
E46BAAV304	10", surface mount
E56BAAV304	12", surface mount
E66BAAV304	15", surface mount
E93BAAV204	12", double dial wall mount
E92BAAV204	12", double dial ceiling mount
E63BAAV204	15", double dial wall mount
E62BAAV204	15", double dial ceiling mount

Note: Personalized dial option available. Add L to the end of the Part #.

SPECIFICATIONS

Operating voltage: 120vac
 Operating voltage range: 90-150vac 50/60 Hz
 Power consumption: .5 watts
 Operating temp range: 14°F to 122°F (-10°C to +50°C)
 Accuracy: Typical ± 1 Sec/Day
 Nominal torque at sweep shaft: 1.5 g/cm
 Quartz frequency: 32.768 kHz

Surface
mount plastic

OUTSIDE DIMENSIONS

"A" Dimensions:

Round

10 $\frac{3}{8}$ " for 10" clocks

13 $\frac{1}{4}$ " for 12" clocks

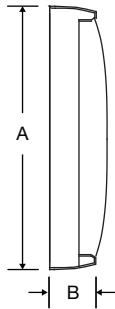
16" for 15" clocks

"B" Dimensions: Surface

2 $\frac{1}{2}$ " for 10" clocks

2 $\frac{1}{2}$ " for 12" clocks

2 $\frac{1}{2}$ " for 15" clocks



OUTSIDE DIMENSIONS

Double Dial:

Note: includes 2 surface clocks

"A" Dimensions:

13 $\frac{1}{4}$ " for 12" clocks

16" for 15" clocks

"B" Dimensions:

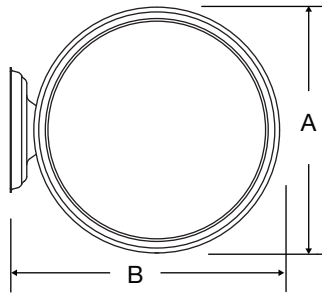
15" for 12" clocks

19 $\frac{1}{4}$ " for 15" clocks

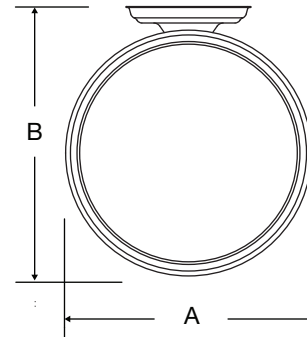
"C" Dimensions:

8 $\frac{5}{8}$ " for 12" & 15" clocks

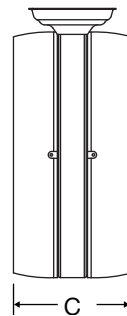
Wall mount plastic
double dial



Ceiling mount plastic
double dial



Plastic double
dial profile



At American Time, we continually strive to improve our products to meet our customers' needs and to provide the best possible value. The above specifications are believed to be correct, are subject to change without notice and may otherwise vary from the above. Please call if you need verification of any specifications or the suitability of a particular product for a particular application.

© American Time