

## Wireless Analog Molded Case Battery Clocks



### GENERAL INFORMATION

- Clock hour & minute hands: ..... Black
- Clock second hand:..... Red
- Power: ..... 10" - 4 (1.5V) AA Lithium batteries, (included)  
12" & 15" - 6 (1.5V) AA Lithium batteries (included)
- Battery life:..... 10" - up to 5 years; 12" & 15" - 5+ years
- Rear panel indicator: ..... Red LED indicates receiver wake-up and time sync
- Receiver sensitivity: ..... 10uV per meter
- Antenna type: ..... External
- Time to synchronize: ..... Initial sync time is 5-10 minutes
- Time accuracy: ..... ±1 second to SiteSync IQ® Master Clock
- Warranty: ..... Two Years

### PHYSICAL / ENVIRONMENTAL SPECIFICATIONS

- Operating temperature: ..... 41°F to 131°F
- Storage temperature:..... 41°F to 131°F
- Relative humidity: ..... 0% - 95% Non-condensing

**Note:** These clocks are intended for use with a SiteSync IQ Wireless Clock System.

**ORDERING INFORMATION**

Part #	Description
SQ46BADD304BP	10" Round, surface mount
SQ45BADD?04BP	10" Round, flush mount
SQ56BADD304BP	12" Round, surface mount
SQ55BADD?04BP	12" Round, flush mount
SQ93BADD204BP	12" Round, double dial wall mount
SQ92BADD204BP	12" Round, double dial ceiling mount
SQ66BADD304BP	15" Round, surface mount
SQ65BADD?04BP	15" Round, flush mount
SQ63BADD204BP	15" Round, double dial wall mount
SQ62BADD204BP	15" Round, double dial ceiling mount

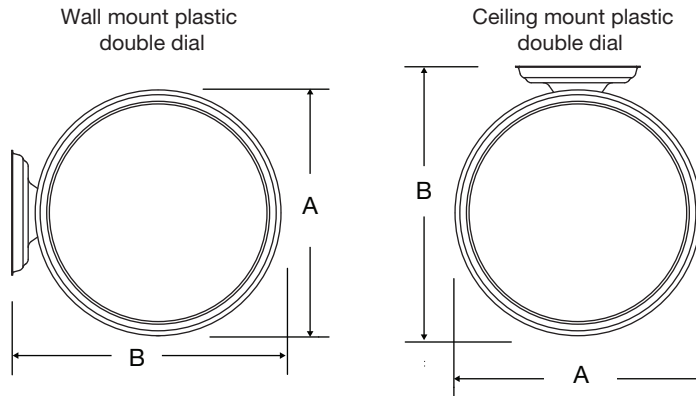
Add L to the end of the Part # for personalized dial option  
 Add RT to the end of Part # for the 25' remote receiver option  
 Add RF to the end of Part # for the 50' remote receiver option

**Note:** If flush mounting in an existing backbox, change the ? in the Part # to specify correct hanger type from the list below:  
 1=National Time 5=Simplex®, Dukane, Lathem 6=Cincinnati, Edwards, Faraday, Honeywell 8=Standard™ Electric

**Note:** Other dial styles and case colors available

**Note:** These clocks are intended for use with a SiteSync IQ® Wireless Clock System.

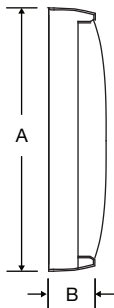
SIZE	OUTSIDE DIMENSIONS		
	A	B	C
<b>Surface</b>			
10"	10 <sup>3</sup> / <sub>8</sub> "	2 <sup>1</sup> / <sub>2</sub> "	N/A
12"	13 <sup>1</sup> / <sub>4</sub> "	2 <sup>1</sup> / <sub>2</sub> "	N/A
15"	16"	2 <sup>1</sup> / <sub>2</sub> "	N/A
<b>Flush</b>			
10"	9 <sup>7</sup> / <sub>8</sub> "	1 <sup>3</sup> / <sub>8</sub> "	N/A
12"	13 <sup>1</sup> / <sub>4</sub> "	2"	N/A
15"	16"	2"	N/A
<b>Double Dial</b>			
12"	13 <sup>1</sup> / <sub>4</sub> "	15"	8 <sup>5</sup> / <sub>8</sub> "
15"	16"	19 <sup>1</sup> / <sub>4</sub> "	8 <sup>5</sup> / <sub>8</sub> "



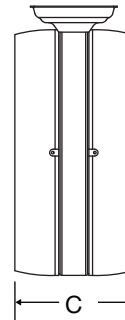
Flush mount plastic



Surface mount plastic



Plastic double dial profile



At American Time, we continually strive to improve our products to meet our customers' needs and to provide the best possible value. The above specifications are believed to be correct, are subject to change without notice and may otherwise vary from the above. Please call if you need verification of any specifications or the suitability of a particular product for a particular application. © American Time