



FEATURES

- 2 Year Warranty
- Near CD quality up to 128Kps
- Allows up to 8 pre-recorded alerts, tones and music to be triggered
- Supports on demand or via programmed events
- Includes a USB flash drive
- Rotating feature allows for different music to be played during class changes in a school environment
- Internal speaker for testing and setup
- Contact closure connections for easy connection to most bell programmers, master clocks and the SiteSync IQ system controller bell relays

GENERAL

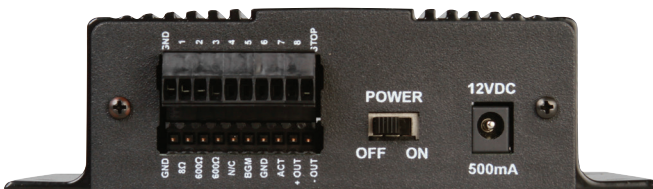
The Audio Generator is a device which can play up to eight different MP3 files at one time through a PA or audio amplifier system. The user can create their own MP3 tones or pick from samples provided on the USB flash drive and schedule the playing of this audio anytime throughout the day when used with an American Time SiteSync IQ system controller, Wireless Controller, Wireless Relay, AllSync IQ master or YMP /YBP clock/signal programmer.

BENEFITS & APPLICATIONS

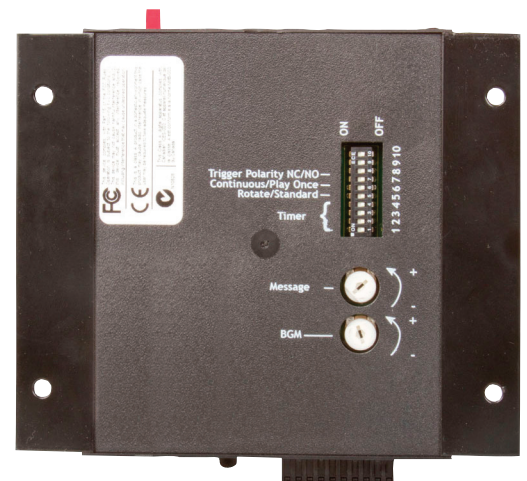
- This device can replace current tone applications, offering the flexibility to play any tone in MP3 format.
- The user is not limited to tones only. Voice alerts or pre-programmed music can also be triggered.
- Automatic rotation of music or tones for class changes or other events. This device can be set to play a different tone each time it is triggered.

ORDERING INFORMATION

Part #H004500C



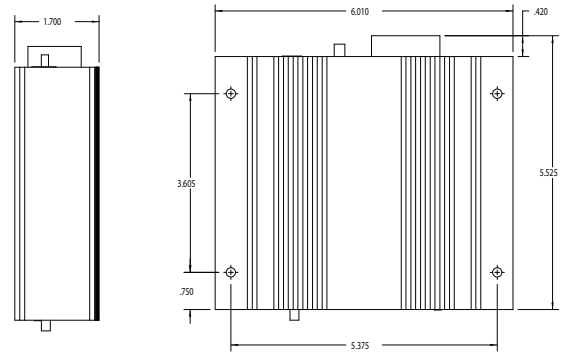
Back of Audio Generator



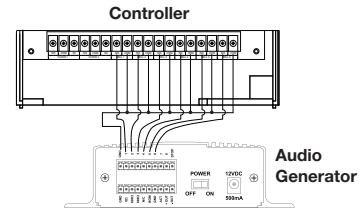
Bottom of Audio Generator

SPECIFICATIONS

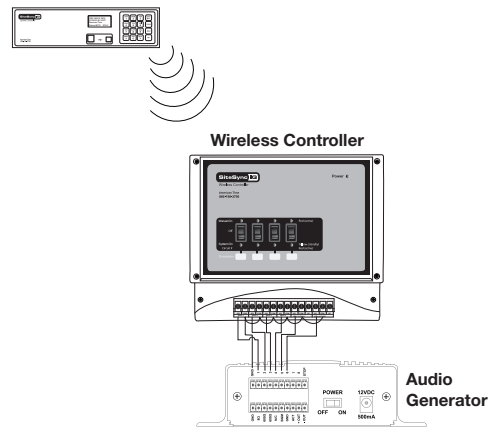
- Power to Plug-in Wall Supply: 120vac 60Hz 10 watts
- Power to Device: 12vdc @ 500mA
- Operating Temperature: 41° to 131° degrees F
- Sound File Type: MPEG (.mp3)
- MP3 Capacity: Rotates through up to 8 different MP3 files
- Sample Rate: 16 KHz to 48 KHz
- Bit Rate: 8 Kps to 128 Kps
- Frequency Response: 20 Hz to 20 KHz
- Inputs: USB Flash Drive
Contact closure to terminal block
10 position DIP switch
- Outputs: 8Ω or 600Ω to PA system
- Dimensions: 6"h x 6"w x 1 1/2"d
- Weight: 3 lbs.



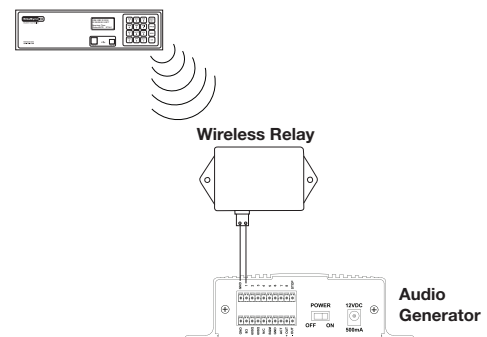
Wiring Configuration 1: Wired directly to a master clock or bell programmer, such as a SiteSync IQ system controller, AllSync IQ master or YMP/YBP clock/bell programmer.



Wiring Configuration 2: Controlled wirelessly using a Wireless Controller and a SiteSync IQ system controller.



Wiring Configuration 3: Controlled wirelessly using a Wireless Relay and a SiteSync IQ system controller.



At American Time, we continually strive to improve our products to meet our customers' needs and to provide the best possible value. The above specifications are believed to be correct, are subject to change without notice and may otherwise vary from the above. Please call if you need verification of any specifications or the suitability of a particular product for a particular application.
© American Time