



GENERAL INFORMATION

- Clock hour & minute hands: Black
- Clock second hand:..... Red
- Clock case:..... Steel
- Power: 6 (1.5V) AA Lithium batteries (included)
- Battery life:..... Up to 5 years
- Wi-Fi 802.11n (802.11b/g compatible, 2.4 GHz only)
- Supported data rates:..... 72, 65, 43, 29, 22, 14, 7 Mbps (802.11n)
54, 48, 36, 24, 18, 12, 9, 6 Mbps (802.11g)
11, 5.5, 2, 1 Mbps (802.11b)
- Security protocols: WEP, WPA/WPA2 and Enterprise (PEAPv0-MSCHAPv2)
- Configuration Clocks are pre-configured for plug-n-play installation (standard) or individually configured via Wi-Fi client through web page interface. Supports DHCP or static IP addressing.
- Rear panel indicator: Red, orange and green LED indicates mode status
- Antenna type: Internal
- Time synchronization:..... Average time on the network is typically less than 10 seconds twice per day. Staggered synchronization for unnoticeable network load with multiple clocks. Clock will display correct time within 20 minutes of applying power. Automatically adjusts for Daylight Saving Time changes.
- Time accuracy: ±1 second to SNTP time server. Supports two static IP address time servers for redundancy or pool SNTP domain names.
- Warranty: Two Years

PHYSICAL / ENVIRONMENTAL SPECIFICATIONS

- Operating temperature: 41°F to 131°F
- Storage temperature:..... 41°F to 131°F
- Relative humidity: 0% - 95% Non-condensing

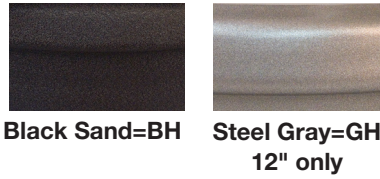
COMPLIANCE

- FCC Part 15 Class B
- ICES-003
- ROHS

ORDERING INFORMATION

Part #	Description
WN44BHDD904BP	10" Round, surface mount
WN45BHDD?04BP	10" Round, flush mount
WN54??DD904BP	12" Round, surface mount
WN55??DD?04BP	12" Round, flush mount
WN57??DD904BP	12" Square, surface mount
WN58??DD?04BP	12" Square, flush mount
WN53??DD204BP	12" Round, double dial wall
WN52??DD204BP	12" Round, double dial ceiling
WN51??DD204BP	12" Square, double dial wall
WN50??DD204BP	12" Square, double dial ceiling
WN64BHDD904BP	15" Round, surface mount
WN65BHDD?04BP	15" Round, flush mount
WN63??DD204BP	15" Round, double dial wall
WN62??DD204BP	15" Round, double dial ceiling

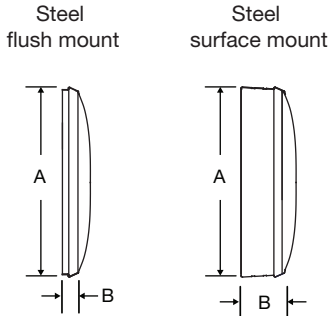
BEZEL FINISHES



Note: Replace the ?? in the part # with the 2 letter code for the bezel finish. See colors above.
BH=Black Sand GH=Steel Gray (12" only)

Note: If flush mounting in an existing backbox, change the ? in the Part # to specify correct hanger type from the list below:
1=National Time 5=Simplex®, Dukane, Lathem 6=Cincinnati, Edwards, Faraday, Honeywell 8=Standard™ Electric

Note: Add L to the end of the Part # for personalized dial option
Other dial styles available.



OUTSIDE DIMENSIONS
"A" Dimensions: All styles
Round

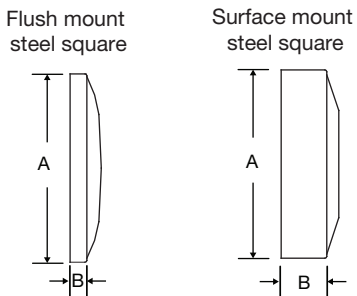
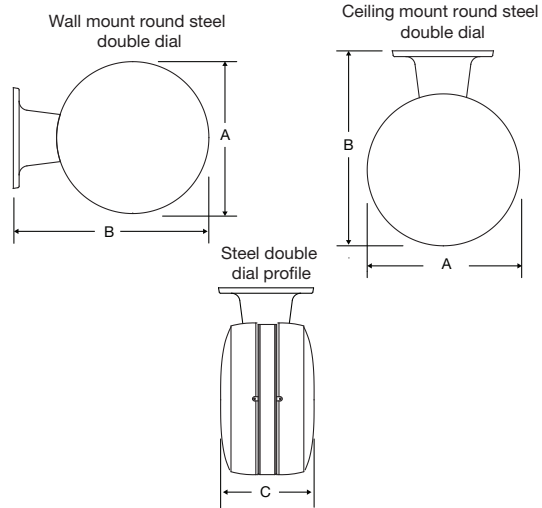
1 1/4" for 10" clocks
1 3/4" for 12" clocks
1 6/4" for 15" clocks

"B" Dimensions: Surface
2 1/4" for all clocks

"B" Dimensions: Flush
1 5/8" for all clocks

Double Dials
"B" Dimensions: Flush
1 6 7/8" for 12" clocks
1 9 7/8" for 15" clocks

"C" Dimensions: Flush
8" for 12" & 15" clocks

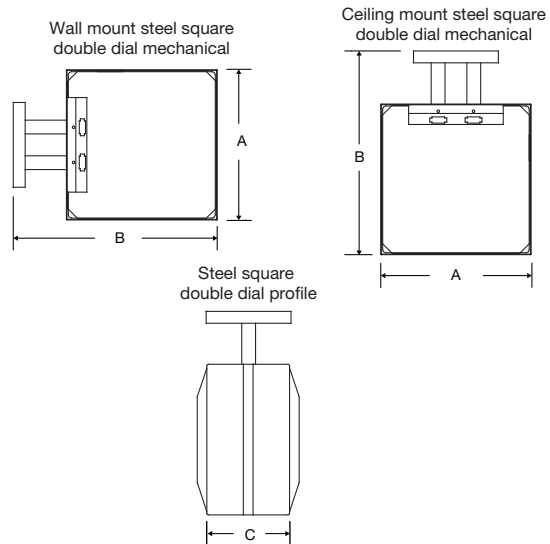


OUTSIDE DIMENSIONS
"A" Dimensions:
Square (12" only)

12 5/8"
"B" Dimensions: Surface
3 1/8"

"B" Dimensions: Flush
1 5/8"

"C" Dimensions: Flush
6 5/8"



At American Time, we continually strive to improve our products to meet our customers' needs and to provide the best possible value. The above specifications are believed to be correct, are subject to change without notice and may otherwise vary from the above. Please call if you need verification of any specifications or the suitability of a particular product for a particular application.

© American Time