

Wireless 2-Sided Digital Clocks Wall and Ceiling Mount



Wall Mount



Ceiling Mount

GENERAL INFORMATION

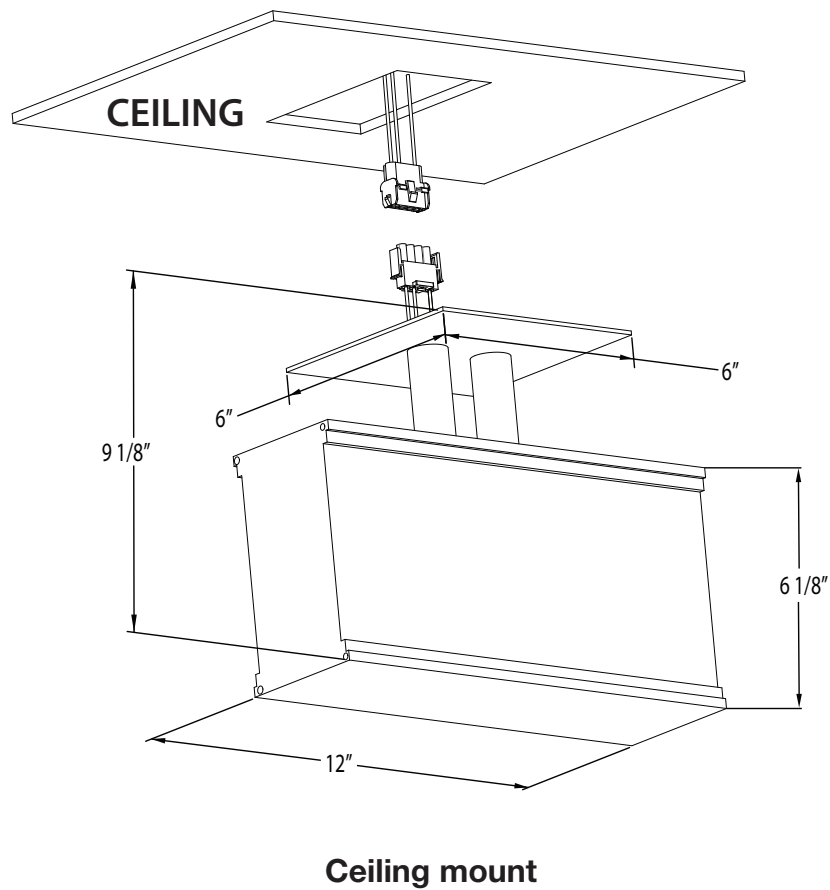
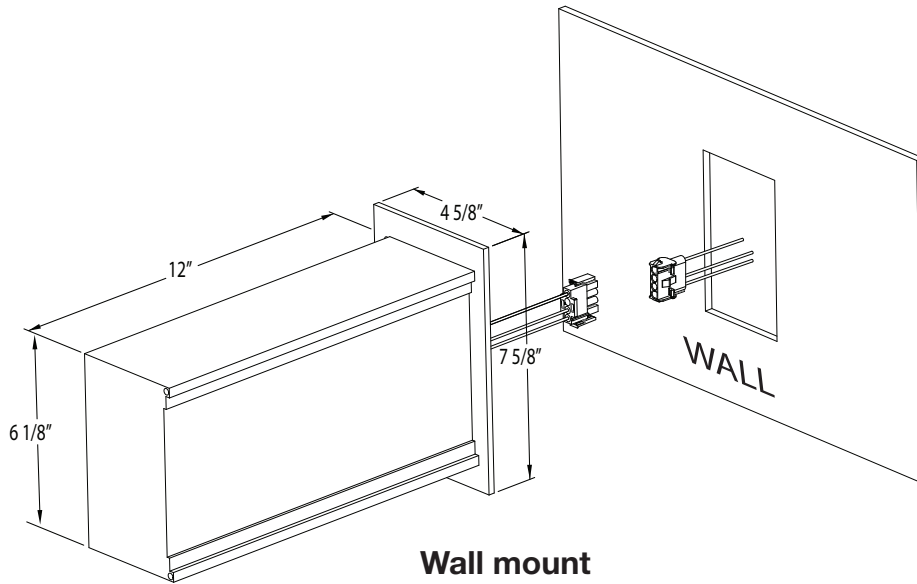
- Enclosure:.....Black anodized aluminum frame
- Clock Size:.....6¹/₈"h x 12"w x 3¹/₂"deep
- Visibility:Up to 250 feet
- Operating mode:.....12 or 24 hour selectable from SiteSync IQ system controller
- Daylight Saving Time Adjustment:.....Automatic from SiteSync IQ system controller
- Display:7 segment LED
- Time Accuracy:.....±1 second to SiteSync IQ® master controller
- Reception Indicator:Lower right corner
- Operating Temperature:.....32°-122° F (0°-50° C)
- Operating Humidity:0 to 95% non-condensing
- Power:120vac or 24vac, 50/60Hz (molex)
- Current:.....4" 4 digit 120vac - 91mA (max), 76mA (avg)
4" 4 digit 24vac -
- Warranty:Two Years

Note: These clocks are intended for use with a SiteSync IQ® Wireless Clock System.

ORDER INFORMATION

Part #	Description
SQA442RCA	4", 4 digit, 120vac, Ceiling mount, Red display, Molex
SQA442RCB	4", 4 digit, 24vac, Ceiling mount, Red display, Molex
SQA442RWA	4", 4 digit, 120vac, Wall mount, Red display, Molex
SQA442RWB	4", 4 digit 24vac, Wall mount, Red display, Molex

Note: For Message/Countdown add-on, add C and the circuit number (1-6) to the end of the part number. i.e. SQA442RCAC1



At American Time, we continually strive to improve our products to meet our customers' needs and to provide the best possible value. The above specifications are believed to be correct, are subject to change without notice and may otherwise vary from the above. Please call if you need verification of any specifications or the suitability of a particular product for a particular application. © American Time