

**American Series
Flush Mount
Wireless Digital Clock**



2.3" Display
Also available
with red display



4" Display
Available with
red display only

GENERAL INFORMATION

- Enclosure:Matte black steel, includes backbox
- Size: Front: 8³/₈"h x 13³/₈"w
Inside: 7¹/₂"h x 12¹/₂"w x 3³/₄"d
- Visibility: Up to 250 feet - 4" digits
Up to 100 feet - 2.3" digits
- Character Height:6-digit: 2.3" hours/minutes, 1" seconds; 4-digit: 4" hours/minutes
- Operating mode: 12 or 24 hour selectable from SiteSync IQ system controller;
AM/PM dot in upper left corner for 12 hour mode (4 digit only)
- Daylight Saving Time Adjustment:Automatic from SiteSync IQ system controller
- Display:Bar segment LED
- Time Accuracy:±1 second to SiteSync IQ® master controller (syncs every minute)
- Reception Indicator:LED dot in lower right corner
- Operating Temperature:32°-122° F (0°-50° C)
- Operating Humidity:0 to 95% non-condensing
- Power:120vac or 24vac/60Hz (Molex® connector standard), internal
12V transformer, 50Hz available (internal jumper setting)
- Current:2.3" 6 digit 120vac - 60mA (max), 50mA (avg)
2.3" 6 digit 24vac - 185mA (max), 165mA (avg)
4", 4 digit 120vac - 78mA (max), 70mA (avg)
4" 4 digit 24vac - 248mA (max), 211mA (avg)
- UL Listed2.3" 6 digit 120/220vac clocks (File #E165980)
- Warranty:Two Years

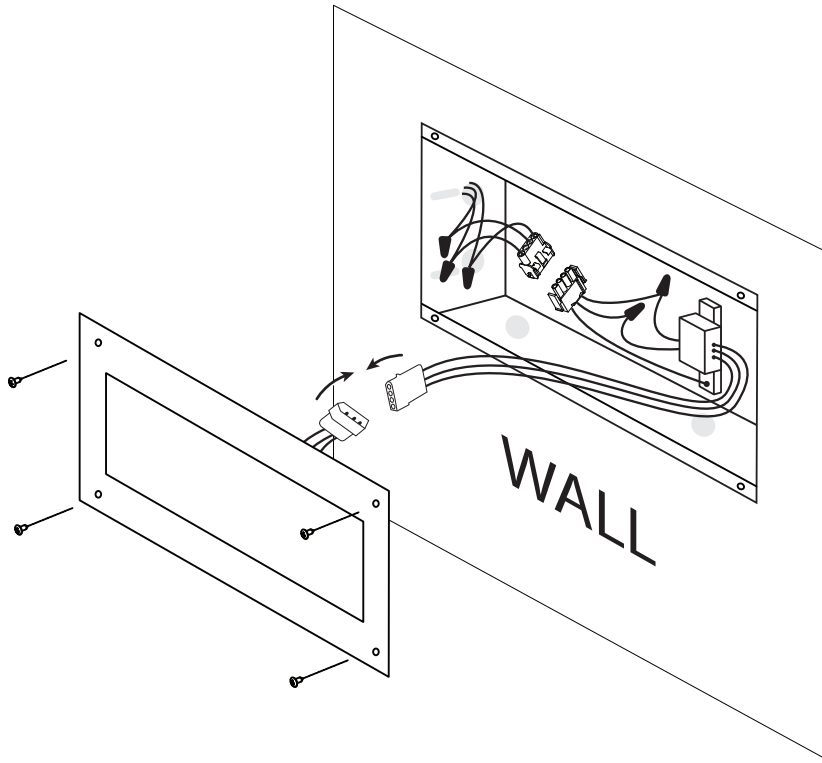
Note: These clocks are intended for use with a SiteSync IQ® Wireless Clock System.

ORDER INFORMATION

Part #	Description
SQA261RFA	2.3", 6 digit, red LED, 120vac
SQA261YFA	2.3", 6 digit, yellow LED, 120vac
SQA261GFA	2.3", 6 digit, green LED, 120vac
SQA261RFB	2.3", 6 digit, red LED, 24vac
SQA261YFB	2.3", 6 digit, yellow LED, 24vac
SQA261GFB	2.3", 6 digit, yellow LED, 24vac
SQA441RFA	4", 4 digit, red LED, 120vac
SQA441RFB	4", 4 digit, red LED, 24vac

Note: 4" display available in red only

Note: For Message/Countdown add-on, add C and the circuit number (1-6) to the end of the part number. i.e. SQA441RFAC1



At American Time, we continually strive to improve our products to meet our customers' needs and to provide the best possible value. The above specifications are believed to be correct, are subject to change without notice and may otherwise vary from the above. Please call if you need verification of any specifications or the suitability of a particular product for a particular application.

© American Time