



GENERAL INFORMATION

- Enclosure: Surface: Black anodized aluminum frame
Flush: Matte black steel frame; matte white steel enclosure
- Size: Surface: 1.8" digits: 6¹/₈"h x 12"w x 3¹/₂"d
Flush: 1.8" digits: Front – 8³/₈"h x 13³/₈"w; Enclosure – 7³/₈"h x 12³/₈"w x 3³/₈"d
Surface: 4" digits: 12¹/₂"h x 24"w x 3¹/₂"d
- Character Height: 1.8" hours and minutes' 1" seconds; .8" day and date digits
4" hours minutes and seconds; 2.3" day and date digits
- Operating Mode: 12 or 24 hour selectable from the SiteSync IQ system controller. AM/PM LED dot in upper left for 12 hour. Lower 12 digit, 16 segment display, shows data or message inputs.
–Day of week set to three character abbreviation
–Month set to three character abbreviation
–Date set to two digit number
- Daylight Saving Time Adjustment: Automatic from SiteSync IQ system controller
- Display: Bar segment LED
- Visibility: 1.8" digits: 75 ft.
4" digits: 250 ft.
- Time Accuracy: ±1 second to SiteSync IQ® master controller (syncs every minute)
- Reception Indicator: Time display colon LED's flash
- Operating Temperature: 32°F to 122°F (0°C to 50°C)
- Operating Humidity: 0% to 95% non-condensing
- Line Voltage: 120-240vac or 24vac 50/60Hz (molex for electrical box connection)
- Warranty: Two Years

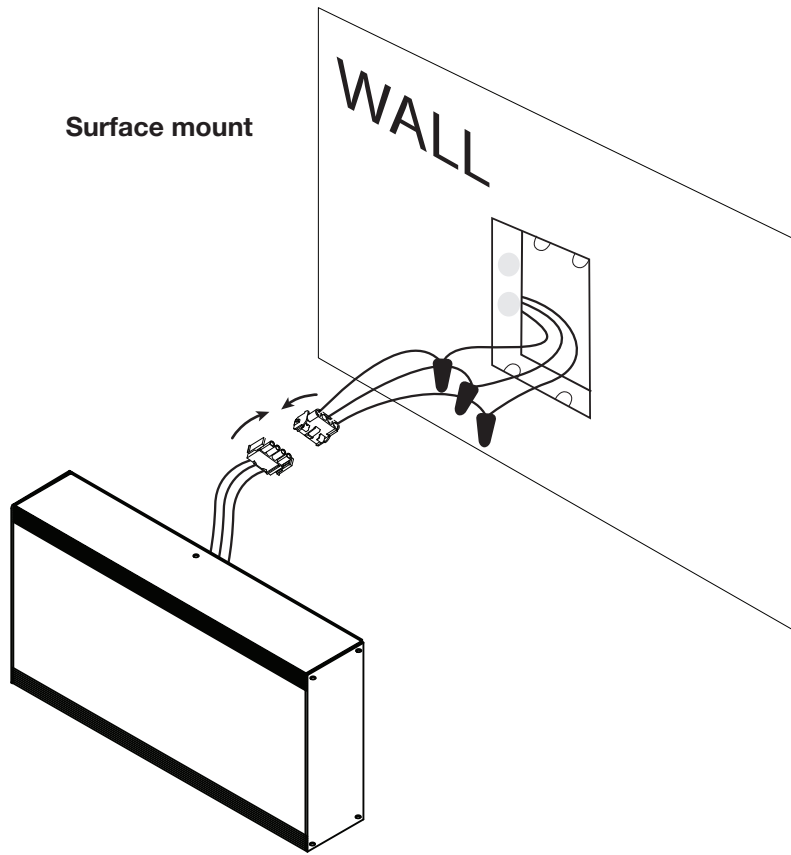
Note: These clocks are intended for use with a SiteSync IQ® Wireless Clock System.

ORDER INFORMATION

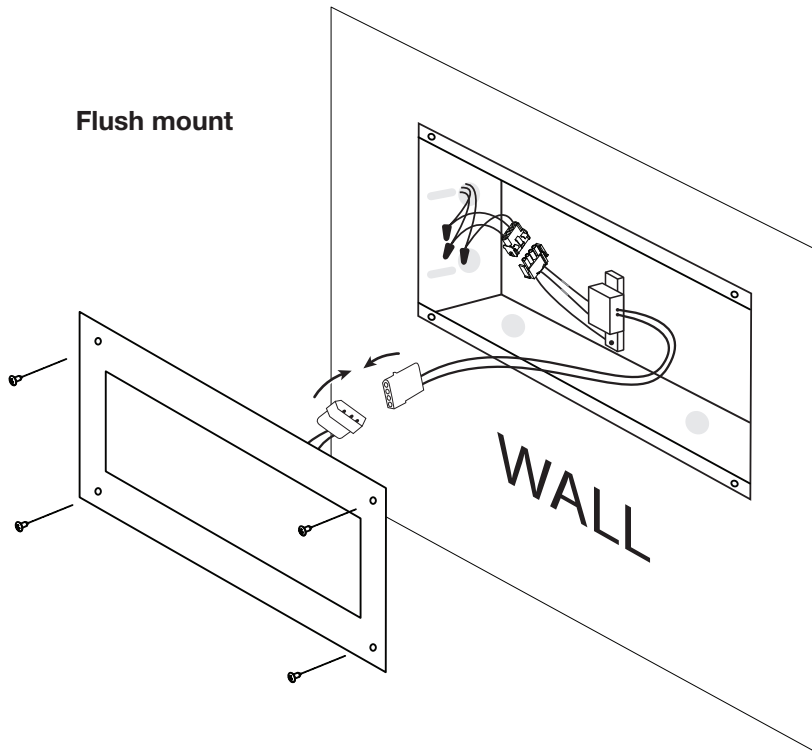
| Part # | Description |
|-----------|--|
| SQA2M1RSA | 1.8", 6 digit, surface mount, 120vac, Molex® connector |
| SQA2M1RFA | 1.8", 6 digit, flush mount, 120vac, Molex® connector |
| SQA2M1RSB | 1.8", 6 digit, surface mount, 24vac, Molex® connector |
| SQA4M1RSA | 4", 6 digit, surface mount, 120vac, Molex® connector |
| SQA4M1RSB | 4", 6 digit, surface mount, 24vac, Molex® connector |

Note: For Message/Countdown add-on, add C and the circuit number (1-6) to the end of the part number. i.e. SQA2M1RSAC1

Surface mount



Flush mount



At American Time, we continually strive to improve our products to meet our customers' needs and to provide the best possible value. The above specifications are believed to be correct, are subject to change without notice and may otherwise vary from the above. Please call if you need verification of any specifications or the suitability of a particular product for a particular application. © American Time