

**GENERAL INFORMATION**

The SiteSync IQ® Wireless Relay is a compact receiver that provides a relay output at programmed times to activate single low power devices such as bells, horns and strobes. This wireless relay can be triggered by programmed events in the SiteSync IQ system controller or Remote Transmitter, on demand using the MAN button on the system controller or the circuit tab of the SiteSync IQ Remote Connect web interface (using an IQ system controller with the Ethernet option or Remote Transmitter and a computer with internet access).

Each wireless relay is linked to one of the wired signal circuit relays in the SiteSync IQ system controller. When placing your order, choose the part number that corresponds to the circuit you want to link to.

**ORDER INFORMATION**

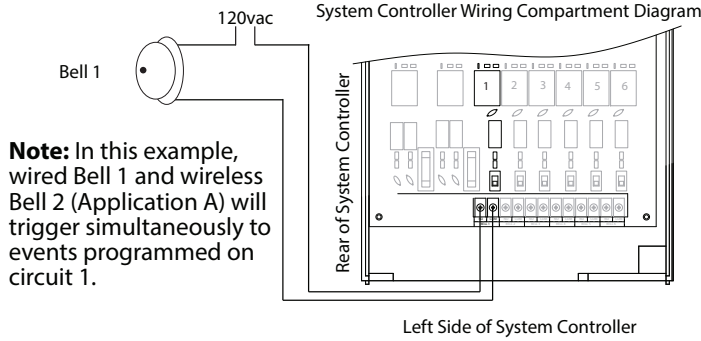
Part #	Description
H004296	for circuit 1
H004296-2	for circuit 2
H004296-3	for circuit 3
H004296-4	for circuit 4
H004296-5	for circuit 5
H004296-6	for circuit 6

**SPECIFICATIONS**

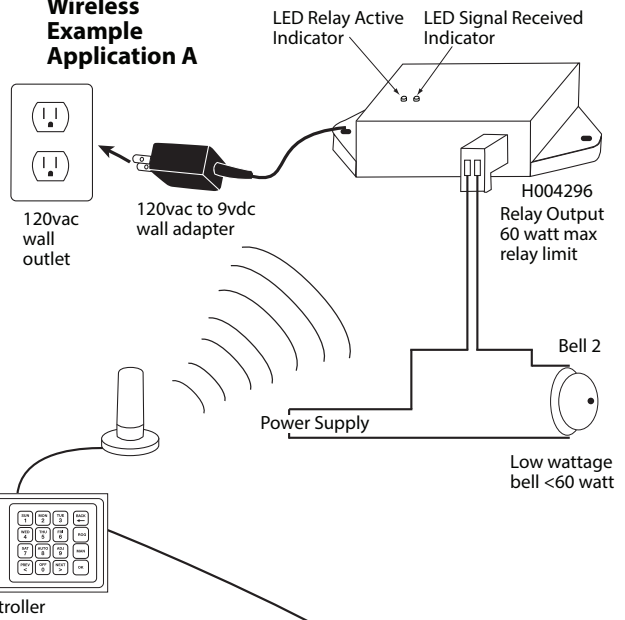
- Dimensions: .....2¼"h x 4⅝"w x ⅞"d
- Weight: .....0.28 lbs.
- Power options: .....UL Listed AC wall adaptor 120vac - 9V 650mA (adaptor included with module)
- Operating temperature: .....41° to 131° degrees F
- Humidity: .....0% - 95% Non-condensing
- Dry contacts: .....NO (or NC-special order) contacts with 2A 30vdc/0.5A 120vac Rating and active closure time of 1-9 seconds
- Receiver frequency: .....450-470 MHz (factory set)
- Antenna type: .....External

# APPLICATION EXAMPLES

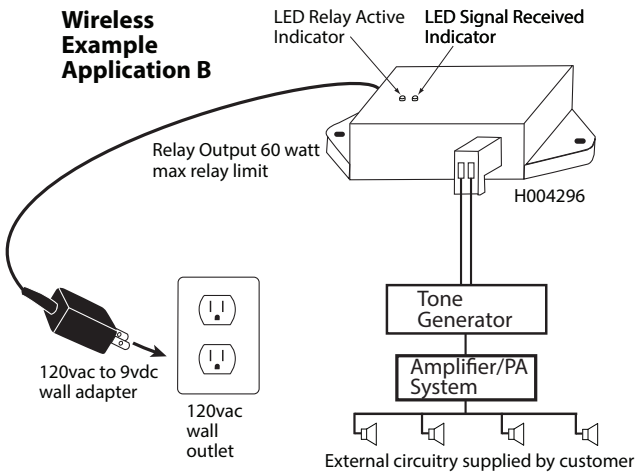
## Wired Circuit 1



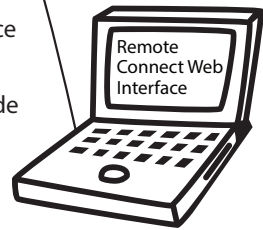
## Wireless Example Application A



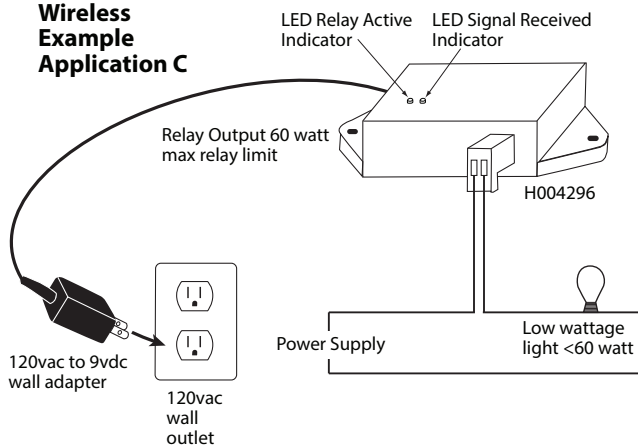
## Wireless Example Application B



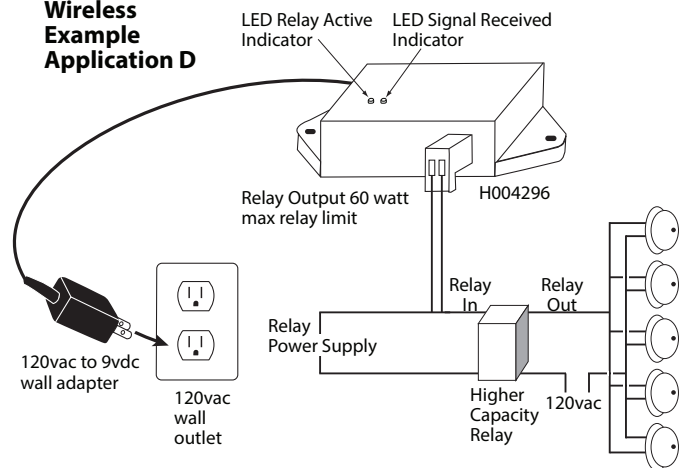
The Remote Connect web interface allows for convenient control of wired and wireless relays from a remote computer (inside or outside of the facility). This allows timed events (on, off or 1-9 seconds duration) to be programmed for wired and wireless signals. It also allows for on demand control of these signals.



## Wireless Example Application C



## Wireless Example Application D



At American Time, we continually strive to improve our products to meet our customers' needs and to provide the best possible value. The above specifications are believed to be correct, are subject to change without notice and may otherwise vary from the above. Please call if you need verification of any specifications or the suitability of a particular product for a particular application.

© American Time