

GENERAL FEATURES

- Set Time Zone and DST configuration
- Change system passwords
- Update Firmware
- Assign custom durations
- Manage programming of up to 6 circuits
- Trigger wired and wireless devices remotely

MINIMUM SYSTEM REQUIREMENTS (computer)

- Most current web browser
(ie. Firefox, Internet Explorer, Chrome, Edge, Safari)
- Network Adapter or Wireless Network Adapter

GENERAL TAB FEATURES (FIG.1)

- View and change clock code
- View and change device name
- Manually adjust wired clocks
- View important information about your device
 - Software version
 - Model and Serial Number
 - Unit Configuration
 - Transmitter Call Sign

EVENT TAB FEATURES (FIG.2)

- Enter schedules remotely
- Backup schedules
- Print Schedules
- Import and Export Schedules to and from PC's

CIRCUIT TAB FEATURES - SCHEDULE (FIG.3)

- Assign schedules to circuits
- Schedule circuit assignment changes
- Set default circuit durations
- Name circuits

DESCRIPTION

The Remote Connect Web Interface allows remote access to your SiteSync IQ system controller via a web browser. This includes Event and Circuit programming, manual circuit activation, time/date settings and other system configurations.

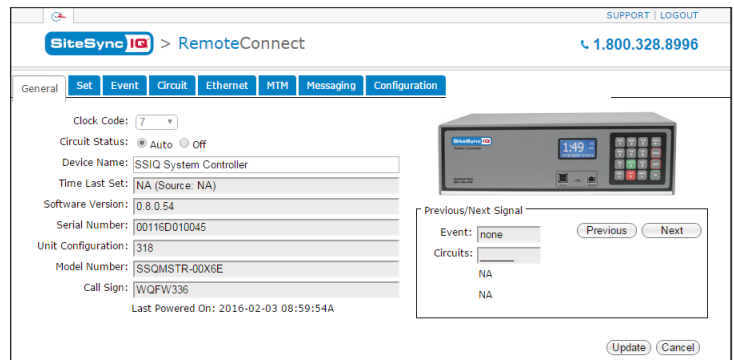


FIG.1

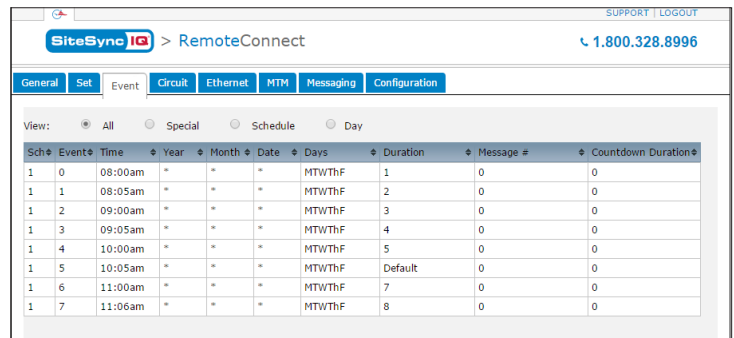


FIG.2

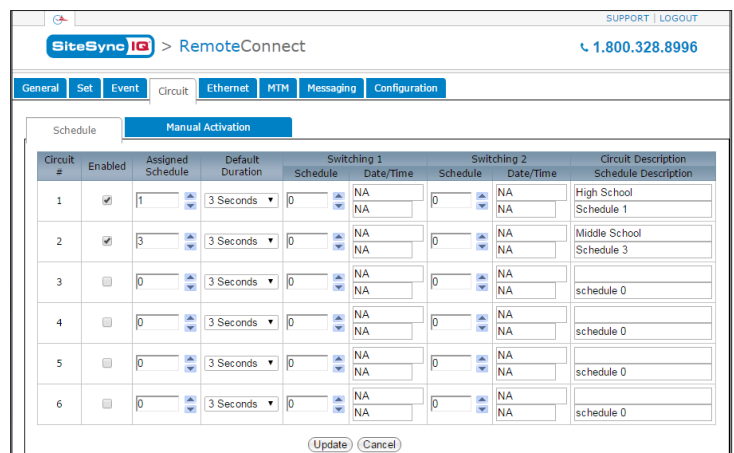


FIG.3

CIRCUIT TAB FEATURES - MANUALACTIVATION (FIG.4)

- Control wired and/or wireless circuits manually

The screenshot shows the 'Manual Activation' configuration page in the RemoteConnect interface. It features a table with columns for Circuit #, Enabled, Signal Duration, Message Number, Countdown Duration, and Circuit Description. Below the table are instructions for message numbers and countdown durations, and a 'Signal Activation' section with buttons for 'Wired', 'Wireless', and 'Both'.

Circuit #	Enabled	Signal Duration	Message Number	Countdown Duration	Circuit Description
1	<input type="checkbox"/>	3 Seconds	1	1	East Wing
2	<input checked="" type="checkbox"/>	3 Seconds	2	11	Hallways
3	<input checked="" type="checkbox"/>	3 Seconds	3	12	Lunch Room
4	<input checked="" type="checkbox"/>	3 Seconds	4	13	Gym & Locker Rooms
5	<input checked="" type="checkbox"/>	3 Seconds	5	14	Doors
6	<input checked="" type="checkbox"/>	3 Seconds	0	15	Lights

** Message Number and Countdown Duration for Digital Countdown Timers Only
** Momentary Signal Duration for Wired Signals Only

Signal Activation

FIG.4

ETHERNET TAB FEATURES (FIG.5)

- Enable/Disable Server/Client Functionality
- Set Time Server IP or DNS Address
- View Received/Sent Packets

The screenshot shows the 'Ethernet' configuration page in the RemoteConnect interface. It includes options for enabling Ethernet, DHCP, and setting IP addresses, subnet masks, gateway IP, DNS, MAC address, port number, and time server settings. A 'History' section shows the number of packets received and sent.

Ethernet Enable: Client Server
 DHCP:
 Unit IP Address: 192 . 168 . 010 . 171
 Subnet Mask: 255 . 255 . 255 . 000
 Gateway IP: 192 . 168 . 010 . 099
 DNS: 010 . 111 . 039 . 001
 MAC Address: 00 : 11 : 6D : 01 : 03 : 04
 Port Number: 80
 Time Server: IP Address Domain Name (DNS)
 Time Server DNS Address: 0.americantime.pool.ntp.org

History
 Packets Received: 599979
 Packets Sent: 2246

FIG.5

GPS TAB FEATURES (FIG.6)

- Enable/Disable GPS time updates
- View number of tracked satellites
- View last signal Received by GPS

The screenshot shows the 'GPS' configuration page in the RemoteConnect interface. It includes options for enabling/disabling GPS time updates, viewing the number of tracked satellites, signal status, and the last received signal.

GPS Time Updates: Enable Disable
 Tracked Satellites: 0
 Signal Status: NOT Received
 Signal Last Received: GPS not synched

FIG.6

CDMA TAB FEATURES (FIG.7)

- Enable/Disable CDMA time updates
- View signal strength of CDMA
- View last signal received by CDMA
- Set CDMA Bias

FIG.7

MESSAGE TAB FEATURES (FIG.8)

- Manually send POCSAG messages

Message #	Cap Code	Message	Description	Enabled
1	0400636	Good Morning!	Morning	<input type="checkbox"/>
2	0400636	Welcome Parents!	Welcome	<input type="checkbox"/>
3	0400636	2 Hour Late Start	2 Hour Late	<input type="checkbox"/>
4	0000000			<input type="checkbox"/>
5	0000000			<input type="checkbox"/>
6	0000000			<input type="checkbox"/>
7	0000000			<input type="checkbox"/>
8	0000000			<input type="checkbox"/>
9	0000000			<input type="checkbox"/>
10	0000000			<input type="checkbox"/>

FIG.8

CONFIGURATION TAB FEATURES (FIG.9)

- Set Auto DST dates and times
- Set Remote Connect User/Service passwords
- Set Banner Text
- Select Time Sync Priority
- Select Time Display Format (12hr/24hr)
- Set Keypad User/Service Locks
- Select LCD display size
- Enable/Disable Setup Wizard
- Enable/Disable Quiet Mode
- Update Firmware

FIG.9

Scheduling (FIG.10)

Here is an example of 9 events on schedule 1. This will trigger wired Bell 1 and wireless Bell 2, Monday-Friday, simultaneously for 3 seconds at the specified times.

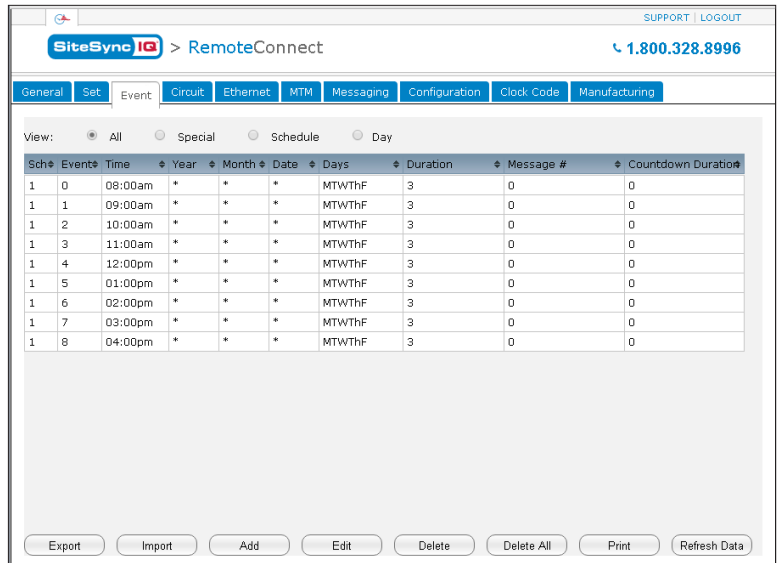


FIG.10

Scheduling: (FIG.11)

Notice the bells are wired to Circuit 1. Therefore, we will assign Schedule 1 to Circuit 1.

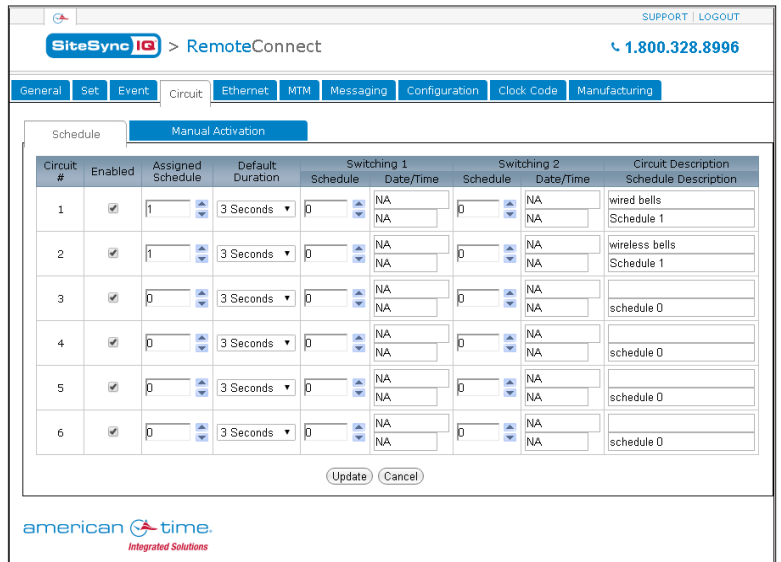


FIG.11

Manual Activation (FIG.12)

The bells do not have to operate on a set schedule. They can also be triggered manually in the Manual Activation Tab which is a sub-tab of the Circuit Tab (FIG.12). Circuit 1 is enabled with a duration of 3 seconds. If the Wired button is pressed, Circuit 1 will be triggered for 3 seconds. If the wireless button is pressed, wireless relays that are associated with Circuit 1 will be triggered for 3 seconds. If the Both button is pressed, the wireless relays associated with Circuit 1 and Circuit 1 will be triggered for 3 seconds.

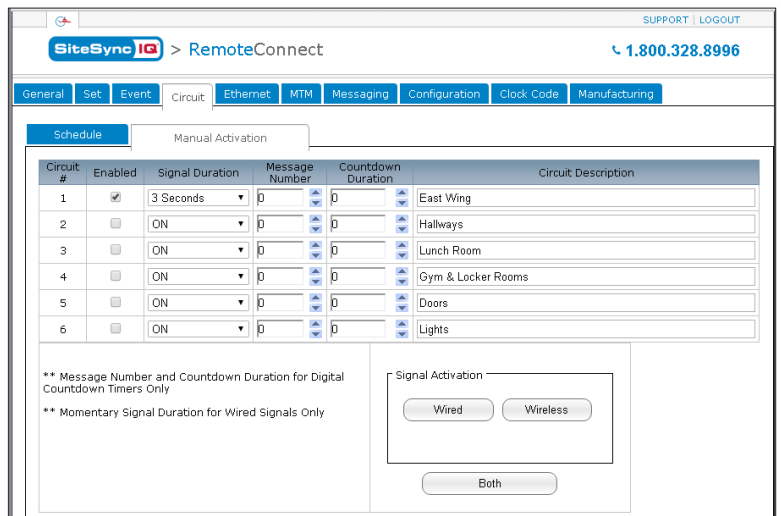
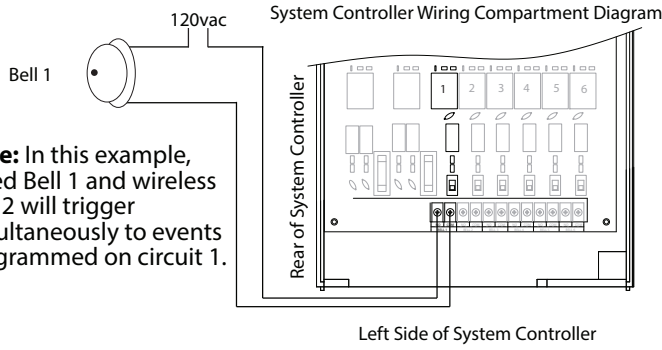


FIG.12

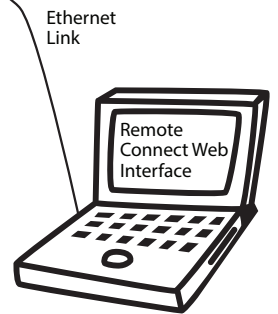
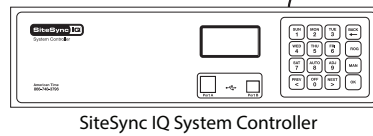
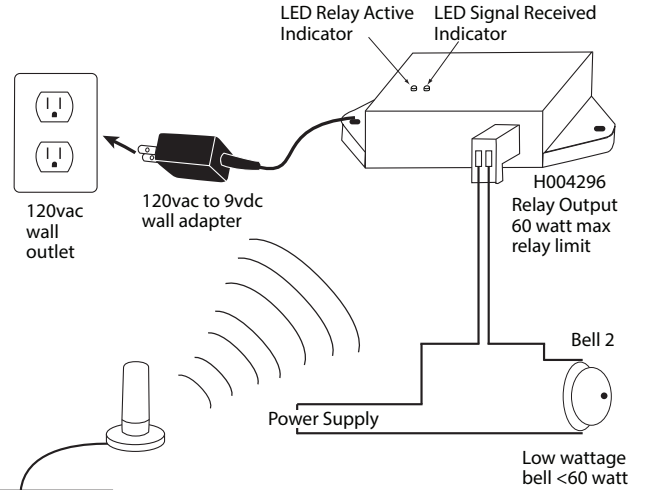
APPLICATION EXAMPLE

Wired Circuit 1



Note: In this example, wired Bell 1 and wireless Bell 2 will trigger simultaneously to events programmed on circuit 1.

Wireless Event Group 1



At American Time, we continually strive to improve our products to meet our customers' needs and to provide the best possible value. The above specifications are believed to be correct, are subject to change without notice and may otherwise vary from the above. Please call if you need verification of any specifications or the suitability of a particular product for a particular application. © American Time