



FEATURES

- 2 Year Warranty
- Supports up to 10 SNTP servers for redundancy
- Supports DHCP or static IP addressing
- Easy initial mounting and setup
- Support for any time zone
- Supports Daylight Saving Time
- Heavy-duty black steel case
- Convex glass crystal

DESCRIPTION

Power over Ethernet (PoE) is a recognized standard (IEEE802.3af) for delivering power over an Ethernet cable. PoE uses a single CAT5 or higher Ethernet patch cable to provide both power and synchronization signals, which saves on installation costs and maintenance. It is recommended that an Un-interruptible Power Supply (UPS) be part of the Ethernet network system to maintain clock function during a power outage.

PoE clocks with the buzzer option have a decibel rating of 65 dBA at 10 feet. Events are scheduled and managed with Network Clock Connect, which can be downloaded at <http://www.atsclock.com/support/poe-clocks.cfm>. The maximum number of scheduled events is 100.

ORDERING INFORMATION

Part # Analog Option	Part # Buzzer Option	Description
PE44BHPD904	PE46BHPD904B	10" round, surface mount
PE54BHPD904	PE56BHPD904B	12" round, surface mount
PE53BHPD204	PE93BHPD204B	12" round, double dial, wall mount
PE52BHPD204	PE92BHPD204B	12" round, double dial, ceiling mount
PE64BHPD904	PE66BHPD904B	15" round, surface mount
PE63BHPD204	PE63BHPD204B	15" round, double dial, wall mount
PE62BHPD204	PE62BHPD204B	15" round, double dial, ceiling mount

Accessories

TMA200	Single port PoE injector
H004167B-POE	USB Drive with Network Clock Connect Software
H001241	Security bracket for 12" surface clocks
H004061	Security bracket for 15" surface clocks

Note: Personalized dial option available. Add L to the end of the part number. Contact us for details.

Note: PoE clocks are factory set to your time zone. Please specify when placing an order.

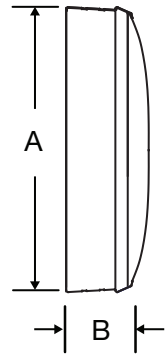
SPECIFICATIONS

Power Consumption:..... PoE, IEEE802.3af compliant, 1W, 48v
 Operating Temperature:..... 32°F to 104°F (0°C to 40°C)
 Operating Humidity: 95% maximum, non-condensing
 Accuracy: ±1 second

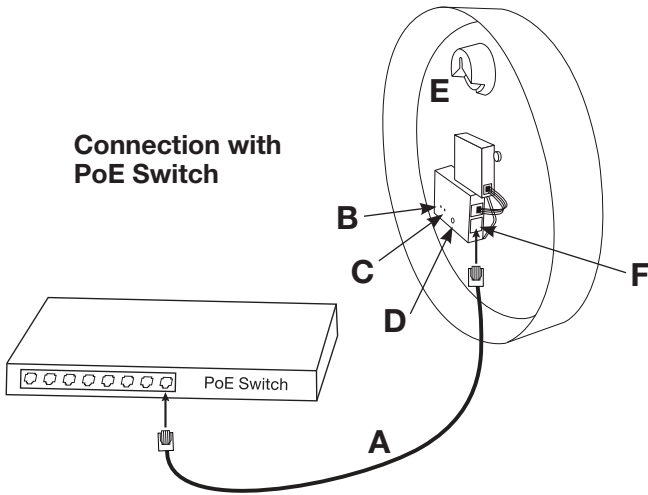
BUZZER OPTION SPECIFICATIONS

Dry Contacts: NO contacts with 2A 30vdc/0.5A 120vac rating and active closure time of 1-59 seconds
 Sound Level:..... 65dBA at 10ft

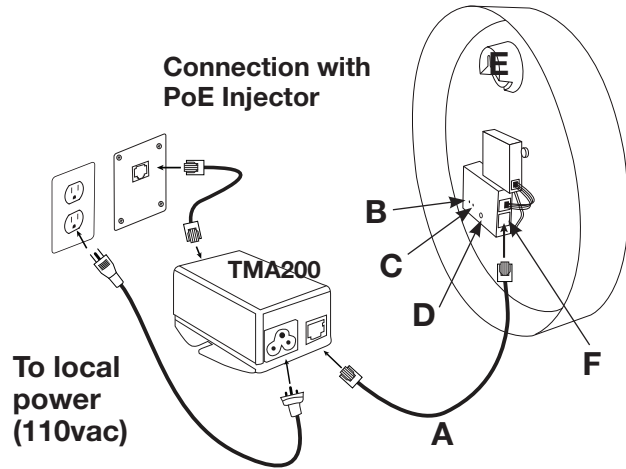
Steel
 surface mount



Clock Dimensions Surface		
Dial Size	A	B
Round		
10"	11¼"	2¼"
12"	13¼"	2¼"
15"	16¼"	2¼"



Connection with PoE Switch



Connection with PoE Injector

A=PoE connection (CAT 5 or higher Ethernet patch cable–included) B=Status LED C=Relay LED D=Default Button
 E=Keyhole Hanger F=PoE Receiver

At American Time, we continually strive to improve our products to meet our customers' needs and to provide the best possible value. The above specifications are believed to be correct, are subject to change without notice and may otherwise vary from the above. Please call if you need verification of any specifications or the suitability of a particular product for a particular application. © American Time