

American Series Analog PoE Clocks Aluminum Case



FEATURES

- 2 Year Warranty
- Supports up to 10 SNTP servers for redundancy
- Supports DHCP or static IP addressing
- Easy initial mounting and setup
- Support for any time zone
- Automatic Daylight Saving Time adjustment
- Aluminum case
- Polycarbonate crystal

DESCRIPTION

Power over Ethernet (PoE) is a recognized standard (IEEE802.3af) for delivering power over an Ethernet cable. PoE uses a single CAT5 or higher Ethernet patch cable to provide both power and synchronization signals, which saves on installation costs and maintenance. It is recommended that an un-interruptible Power Supply (UPS) be part of the Ethernet network system to maintain clock function during a power outage.

ORDERING INFORMATION

Part #	Description
PE54AGPD304	12" surface mount
PE64AGPD304	15" surface mount

Accessories

TMA200	Single port PoE injector
H004167B-POE	USB Drive with Network Clock Connect Software

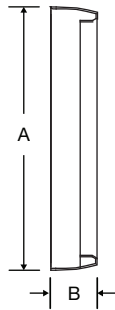
Note: Personalized dial option available. Add L to the end of the part number. Contact us for details.

Note: PoE clocks are factory set to your time zone. Please specify when placing an order.

SPECIFICATIONS

Power Consumption:..... PoE, IEEE802.3af compliant, 1W, 48v
 Operating Temperature:..... 32°F to 104°F (0°C to 40°C)
 Operating Humidity: 95% maximum, non-condensing
 Accuracy: ±1 second

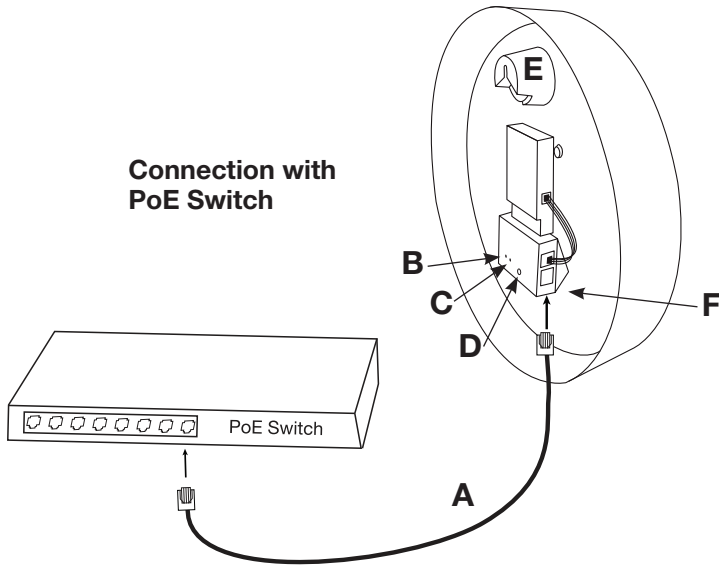
Surface



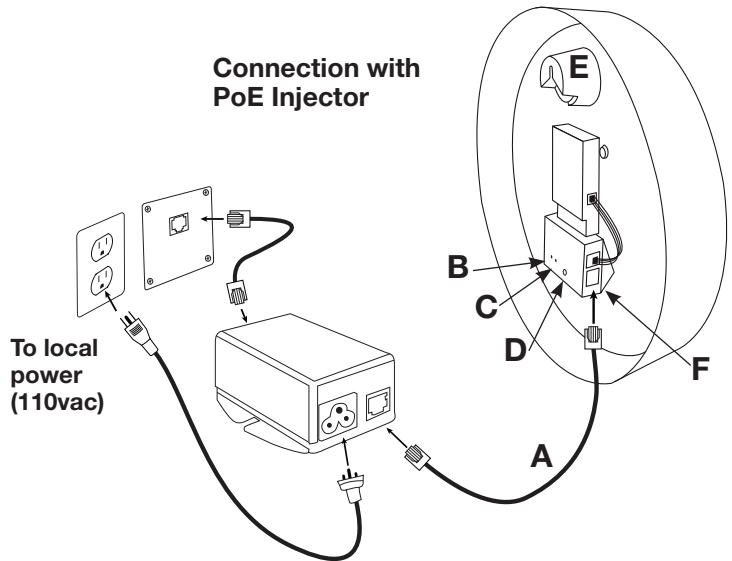
OUTSIDE DIMENSIONS

SIZE	A	B
12"	13 ³ / ₈ "	2 ⁵ / ₈ "
15"	16 ¹ / ₄ "	2 ⁵ / ₈ "

Connection with PoE Switch



Connection with PoE Injector



A=PoE connection (CAT 5 or higher Ethernet patch cable–included) B=Status LED C=Relay LED D=Default Button
 E=Keyhole Hanger F=PoE Receiver

At American Time, we continually strive to improve our products to meet our customers' needs and to provide the best possible value. The above specifications are believed to be correct, are subject to change without notice and may otherwise vary from the above. Please call if you need verification of any specifications or the suitability of a particular product for a particular application. © American Time