

Replacements for National Time

For National Time Wired Synchronous Correction by American Time

with traditional mechanical movement



Dial Style 91

Maintain your existing clock system with these economical direct replacements for National Time wired synchronous corrective clocks. In addition to our Two Year Warranty, we offer speedy delivery on most models.

- Precision Synchron® motor and heavy-duty brass gear train
- Durable black steel case
- Includes complete Molex® connector for easy installation
- Hourly and 12 hour correction
- Uses traditional mechanical movement (shown below)



Steel Case

Description	120vac Model No. (Original No.)	24vac Model No. (Original No.)	SAVE!	
			1-9 ea.	10+ ea.
10" Round Flush	G45BHAG191-WEB (030-10EXHH)	G45BHBG191-WEB (030-10EXLV)	\$199.95	\$189.95
12" Round Surface	G54BHAG491-WEB (010-12EXHH)	G54BHBG491-WEB (010-12EXLV)	\$199.95	\$189.95
12" Round Flush	G55BHAG191-WEB (030-12EXHH)	G55BHBG191-WEB (030-12EXLV)	\$199.95	\$189.95
12" Square Surface	G57BHAG491-WEB (050-12EXHH)	G57BHBG491-WEB (050-12EXLV)	\$219.95	\$209.95
12" Square Flush	G58BHAG191-WEB (060-12EXHH)	G58BHBG191-WEB (060-12EXLV)	\$219.95	\$209.95
15" Round Surface	G64BHAG491-WEB (010-15EXHH)	G64BHBG491-WEB (010-15EXLV)	\$219.95	\$209.95
15" Round Flush	G65BHAG191-WEB (030-15EXHH)	G65BHBG191-WEB (030-15EXLV)	\$219.95	\$209.95
18" Round Surface	G74BHAG491-WEB (010-18EXHH)	G74BHBG491-WEB (010-18EXLV)	\$249.95	N/A
18" Round Flush	G75BHAG191-WEB (030-18EXHH)	G75BHBG191-WEB (030-18EXLV)	\$249.95	N/A
12" Round DD wall	G53BHAG291-WEB (023-12EXHH)	G53BHBG291-WEB (023-12EXLV)	\$459.95	N/A
12" Round DD ceiling	G52BHAG291-WEB (023-12EXHH)	G52BHBG291-WEB (023-12EXLV)	\$459.95	N/A
12" Square DD wall	G51BHAG291-WEB (055-12EXHH)	G51BHBG291-WEB (055-12EXLV)	\$489.95	N/A
12" Square DD ceiling	G50BHAG291-WEB (055-12EXHH)	G50BHBG291-WEB (055-12EXLV)	\$489.95	N/A
15" Round DD wall	G63BHAG291-WEB (023-15EXHH)	G63BHBG291-WEB (023-15EXLV)	\$489.95	N/A
15" Round DD ceiling	G62BHAG291-WEB (023-15EXHH)	G62BHBG291-WEB (023-15EXLV)	\$489.95	N/A

Order Notes:

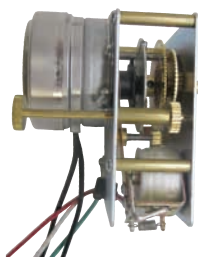
DD=Double dial

If running 24vac clocks, a step down transformer is necessary. See page 67.

CLOCK PARTS AND ACCESSORIES

Replacement Movements

(set hands at 6:00)



N1279110-WEB 120vac
N127924-WEB 24vac

1-9 \$164.95 ea.
10+ \$154.95 ea.

Includes hands for 12" dial

Flush Backbox

(use with clocks on pages 34-37)



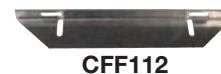
CFB101-WEB \$23.95

(10", 12", 15", 18")
7"h x 6½"w x 3¼"d

Replacement Hangers



CFC113



CFF112

Surface Hanger CFC113-WEB \$12.95
Flush Hanger CFF112-WEB \$4.95

Replacement Glass Crystals

For original National Time steel clocks

2483-15G-WEB 15⅜" Round \$19.95
516018-WEB 11⅝" Square \$21.95

Replacement clocks are manufactured in Dassel, MN

Save Money with AllSync Plus®!

AllSync Plus is the perfect replacement for your National Time clocks. It is the first clock of its kind capable of automatically reading the correction signal for your system upon installation and you get a **FREE** extended warranty!

- 15 minutes of continued operation during power outages—no batteries to install
- Easy “plug and play” installation
- **Uses up to 80% less energy**—run 5 times more clocks without installing boosters
- Durable black steel case



Dial Style 04

1 – Wired System Clocks

Steel Case

Description	120vac Model No.	24vac Model No.	SAVE!			
			1-4 ea.	5-9 ea.	10-24 ea.	25+ ea.
10" Round Flush	U45BHAA104-WEB	U45BHBA104-WEB	\$134.95	\$129.95	\$124.95	\$119.95
12" Round Surface	U54BHAA404-WEB	U54BHBA404-WEB	\$134.95	\$129.95	\$124.95	\$119.95
12" Round Flush	U55BHAA104-WEB	U55BHBA104-WEB	\$134.95	\$129.95	\$124.95	\$119.95
12" Square Surface	U57BHAA404-WEB	U57BHBA404-WEB	\$159.95	\$151.95	\$144.95	\$139.95
12" Square Flush	U58BHAA104-WEB	U58BHBA104-WEB	\$159.95	\$151.95	\$144.95	\$139.95
15" Round Surface	U64BHAA404-WEB	U64BHBA404-WEB	\$159.95	\$151.95	\$144.95	\$139.95
15" Round Flush	U65BHAA104-WEB	U65BHBA104-WEB	\$159.95	\$151.95	\$144.95	\$139.95
12" Round DD wall	U53BHAA204-WEB	U53BHBA204-WEB	\$339.95	N/A	N/A	N/A
12" Round DD ceiling	U52BHAA204-WEB	U52BHBA204-WEB	\$339.95	N/A	N/A	N/A
12" Square DD wall	U51BHAA204-WEB	U51BHBA204-WEB	\$379.95	N/A	N/A	N/A
12" Square DD ceiling	U50BHAA204-WEB	U50BHBA204-WEB	\$379.95	N/A	N/A	N/A
15" Round DD wall	U63BHAA204-WEB	U63BHBA204-WEB	\$379.95	N/A	N/A	N/A
15" Round DD ceiling	U62BHAA204-WEB	U62BHBA204-WEB	\$379.95	N/A	N/A	N/A

Order Notes:

DD=Double dial

If running 24vac clocks, a step down transformer is necessary. See page 67.

CLOCK PARTS AND ACCESSORIES

Tamper-resistant Security Bracket

The bracket ensures that your clocks stay where you want them. Install the bracket on the wall, hang the clock and tighten the screw.



H001241-WEB \$5.95
For use with American time 12" steel, surface mounted clocks



H004061-WEB \$5.95
For use with American Time 15" steel, surface mounted clocks

SAVE MONEY!
See page 73 for pricing.

We Repair National Time Clocks!

No budget for new clocks? Need to repair an existing clock? Send it to us and we'll replace your mechanical movement with the AllSync Plus movement. Accuracy is ± 1 second to the master, the repair cost is less and you'll receive a **FREE** 3 year extended warranty!

Replacements for National Time

with traditional mechanical movement

For National Time Wired Synchronous Correction by American Time



Dial Style 91

- Precision Synchron® motor and heavy-duty brass gear train
- Impact-resistant black molded case
- Complete Molex® connector for easy installation
- Shatter-resistant safety crystal



Molded Case

Description	120vac Model No.	24vac Model No.	SAVE!	
			1-9 ea.	10+ ea.
10" Round Flush	G45BAAG191-WEB	G45BABG191-WEB	\$189.95	\$179.95
12" Round Flush	G55BAAG191-WEB	G55BABG191-WEB	\$189.95	\$179.95

Order Notes:

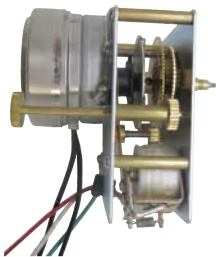
If running 24vac clocks, a step down transformer is necessary. See page 67.

REPLACEMENT MOVEMENT AND PARTS

American Time carries thousands of replacement clock parts in stock, including the replacement movements for National Time. They ship complete with the hands and necessary mounting hardware.

Replacement Movements

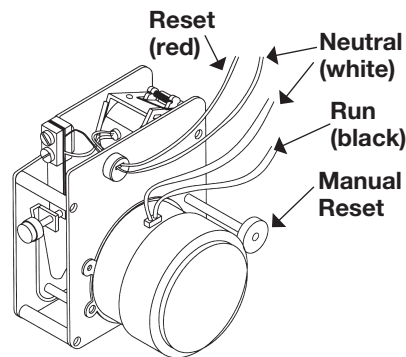
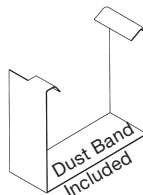
(set hands at 6:00)



N1279110-WEB 120vac
N127924-WEB 24vac

1-9 \$164.95 ea.
10+ \$154.95 ea.

Includes hands for a 12" dial



Hands for National 12" round clock

H000717-WEB Minute \$3.95
H000718-WEB Hour \$3.95
CH282-WEB Sweep \$3.95



Replacement Motors Only

E65RA-5-6-110V-WEB 120vac
E65RA-5-6-24V-WEB 24vac

New #KT65RA-5-6

1-4 \$39.95 ea.
5-9 \$35.95 ea.
10-24 \$33.95 ea.
25+ \$29.95 ea.



FYI Synchronous Wired Correction Protocol for National Time EX-HH and EX-LV Series

Run relay is normally operated to pass source power through to the clock run motors. Each hour from HH:00:00 to HH:00:28 correction relay SK2 is operated which passes source power through to the clock correction coils for 28 seconds and causes hourly correction. Every 12 hours from 6:00:00 to 6:27:27 correction relay is again operated to pass source power through to the clock correction coils for 27 minutes causing 12 hour correction. Manual clock corrections can be issued from the master during any even minute except 00.

Replacement clocks are manufactured in Dassel, MN

Save Money with AllSync Plus®!

Plug and play installation, **up to 80% less energy usage** and a Five Year Warranty make AllSync Plus the easy choice to replace your National Time clocks.

- Accurate to ±1 second to the master
- 15 minutes of continued operation during power outages—no batteries to install
- **Reduced power usage** allows you to run 5 times as many clocks without adding boosters
- Impact-resistant black molded case
- Shatter-resistant safety crystal



Dial Style 04

1 – Wired System Clocks

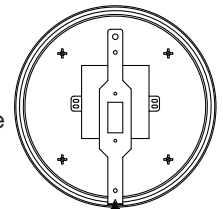
Molded Case

Description	120vac Model No.	24vac Model No.	SAVE!			
			1-4 ea.	5-9 ea.	10-24 ea.	25+ ea.
10" Round Surface	U44BAAA304-WEB	U44BABA304-WEB	\$124.95	\$119.95	\$114.95	\$104.95
10" Round Flush	U45BAAA104-WEB	U45BABA104-WEB	\$124.95	\$119.95	\$114.95	\$104.95
12" Round Surface	U54BAAA304-WEB	U54BABA304-WEB	\$124.95	\$119.95	\$114.95	\$104.95
12" Round Flush	U55BAAA104-WEB	U55BABA104-WEB	\$124.95	\$119.95	\$114.95	\$104.95
15" Round Surface	U64BAAA304-WEB	U64BABA304-WEB	\$149.95	\$141.95	\$134.95	\$129.95
15" Round Flush	U65BAAA104-WEB	U65BABA104-WEB	\$149.95	\$141.95	\$134.95	\$129.95
12" Round DD wall	U53BAAA204-WEB	U53BABA204-WEB	\$309.95	N/A	N/A	N/A
12" Round DD ceiling	U52BAAA204-WEB	U52BABA204-WEB	\$309.95	N/A	N/A	N/A
15" Round DD wall	U63BAAA204-WEB	U63BABA204-WEB	\$359.95	N/A	N/A	N/A
15" Round DD ceiling	U62BAAA204-WEB	U62BABA204-WEB	\$359.95	N/A	N/A	N/A

Order Notes:

DD=Double dial

If running 24vac clocks, a step down transformer is necessary. See page 67.



12" AllSync Plus molded case, surface clocks include security bracket.

Q & A

How do I know if I need a surface or flush mount clock?



“A flush clock has a narrow bezel and the clock is hung in a backbox recessed into the wall. A surface clock has a deeper bezel (the movement does not protrude past the bezel) and the clock is hung on a plate mounted over a single gang outlet box. These photos show a good example of the difference.”

SCOTT
Sales Engineer

FLUSH CLOCKS

Mount into a backbox



SURFACE CLOCKS

Mount to a single gang box

