



Installation and Operation Manual



Wireless LED Message Board



Specifications

Model Number: AT5112
Input Voltage: 120vac
Frequency: 450-470MHz
Channel Spacing: 12.5KHz
Array: 160x16
Dimensions: 28"w x 6.3"h x 2.75"d
Weight: 8.5lbs

Features

- 4.75" alphanumeric characters in single line mode
- Display 10 characters in single line mode; up to 40 characters in double line mode
- Real Time Clock (*option*)
- Operates with Messaging Tab in Remote Connect
- Manually activated buzzer with 9 tones
- 24 modes of operation: Scroll, Roll, Flash, etc.

Model Number: AT5120
Input Voltage: 120vac
Frequency: 450-470MHz
Channel Spacing: 12.5KHz
Array: 320x16
Dimensions: 52"w x 6.3"h x 2.75"d
Weight: 15.3lbs

Features

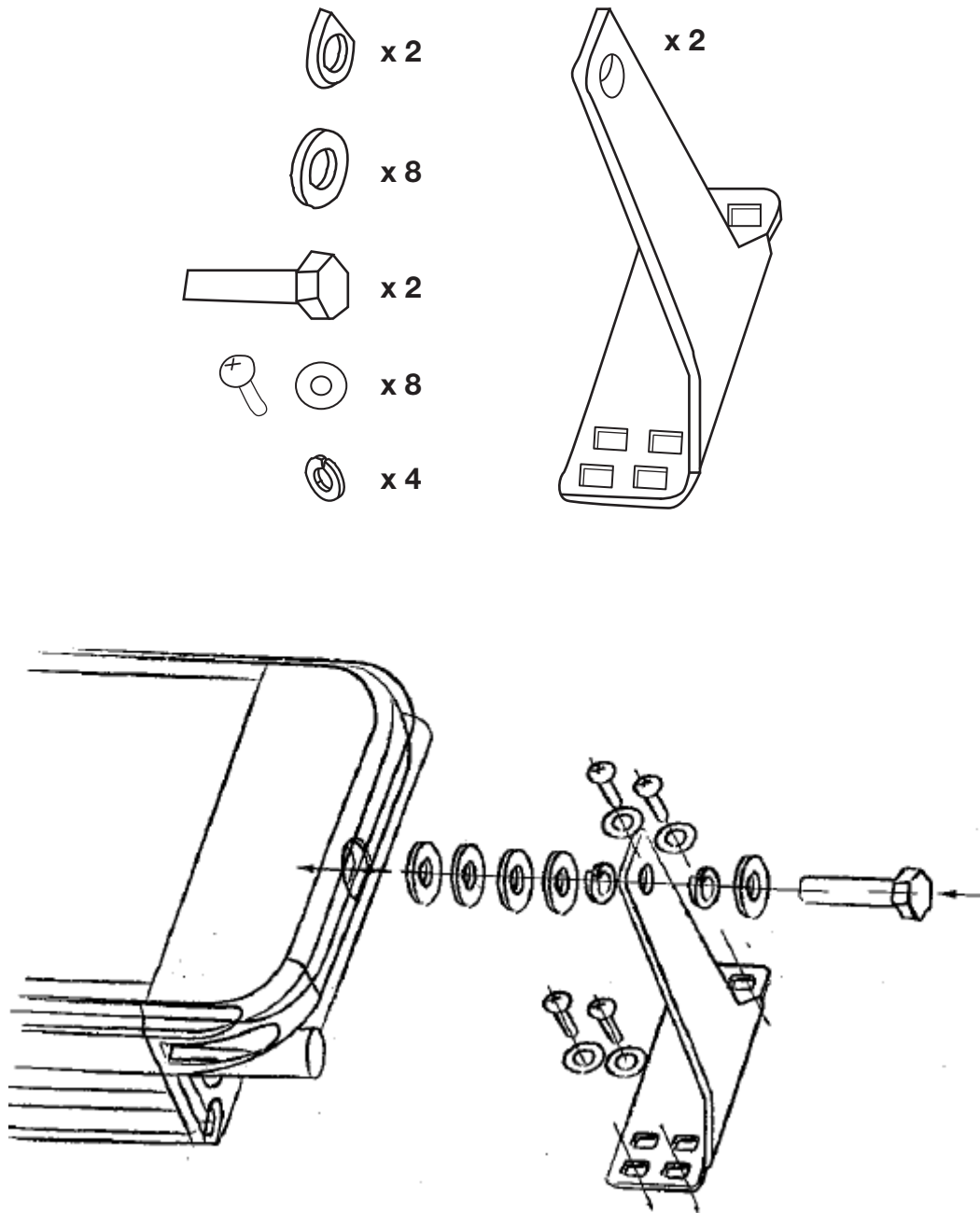
- 4.75" alphanumeric characters in single line mode
- Display 20 characters in single line mode; up to 80 characters in double line mode
- Real Time Clock (*option*)
- Operates with Messaging Tab in Remote Connect
- Manually activated buzzer with 9 tones
- 24 modes of operation: Scroll, Roll, Flash, etc.

American Time
140 3rd Street South
PO Box 707
Dassel, MN 55325-0707

Phone: **800-328-8996**
Fax: **800-789-1882**
american-time.com

Installation

1. Choose a location within range of your SiteSync IQ System Controller.
2. Mount Message Board according to the following diagram



3. Plug in Message Board to 120vac outlet
4. Log into Remote Conect to program the Message Board.

Remote Connect Web Interface

The Remote Connect Web Interface allows remote access to your SiteSync IQ system controller via a web browser. This feature is available to all SiteSync IQ system controllers with the Ethernet option. Please reference the SiteSync IQ Installation and Operation Manual for more details.

To Access Remote Connect:

1. Open a web browser. Enter the IP address for your system controller as <http://xxx.xxx.xxx.xxx> in the web browser's Address field (Figure 1). Press the **Enter** key.

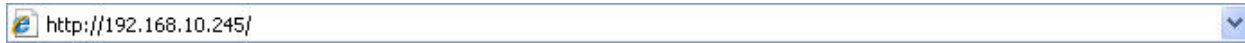


Figure 1

2. A User Login window, (Figure 2) will appear. There are two available user names, **uclock** and **sclock**, which represent the user and service access levels. The user security level allows access to everything but the Configuration Tab.

User Level Access:

Enter **uclock** in lowercase letters in the *User Name* field and **uclock** in the *Password* field. This user login allows access to time/date, messaging, and event menus.

Service Level Access:

Enter **sclock** in lowercase letters in the *User Name* field and **sclock** in the *Password* field. This user login allows access to all menus.

Note: Passwords may be changed in the Configuration Tab.

Then, click the *Login* button.


A screenshot of a "User Login" window. The title "User Login" is at the top in bold black text. Below it are two input fields: "User Name:" and "Password:". Below the "Password:" field is a link that says "Forgot your password?". At the bottom center is a "Login" button.

Figure 2

3. The Remote Connect utility will appear with the *General* tab selected. The tabs displayed may differ depending on the configuration of the unit.

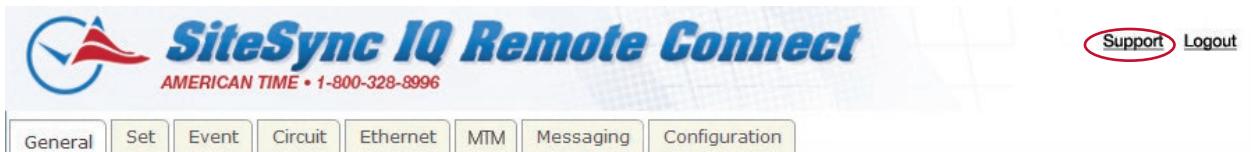


Figure 3

For more details on the features of Remote Connect, click on the Support link in the upper right-hand corner of the utility (Figure 3).

Messaging Tab

The Messaging Tab allows for the entry and storage of 10 pre-canned messages. These messages can be sent to Message Boards throughout the facility.

Message #	Cap Code	Message	Description	Enabled
1	0400636	Good Morning!	Morning	<input checked="" type="checkbox"/>
2	0400636	Welcome Parents!	Welcome	<input type="checkbox"/>
3	0400636	2 Hour Late Start	2 Hour Late	<input type="checkbox"/>
4	0000000			<input type="checkbox"/>
5	0000000			<input type="checkbox"/>
6	0000000			<input type="checkbox"/>
7	0000000			<input type="checkbox"/>
8	0000000			<input type="checkbox"/>
9	0000000			<input type="checkbox"/>
10	0000000			<input type="checkbox"/>

Update Cancel

Figure 4

1. *Cap Code:* The Cap Code must match the Cap Code of the device receiving the message.
2. *Message:* The message entered may need to follow a certain format. Reference the Message Board reception format.
3. *Description:* This allows the user to enter a description of their message.
4. *Enabled:* Check this box and press Update to transmit the message.

Message Board Control Commands V2.00 (use for firmware V6.0 up)

Item	Features	Command	Parameters	Description
1	Timer display On/Off	GALEDTM=	ON or OFF	ON=Timer display enable; OFF=Timer display disable
2	Timer Date On/Off	GALEDDT=	ON or OFF	Date display ON or OFF
3	Timer Date Setting	GALEDDATE=	YYMMDD	YY=year from 0 to 99; MM=month from 1 to 12; DD=day from 1 to 31
4	Timer Date Mode	GALEDDTMD=	X	0=DD-MMM-YY; 1=MMMM DD,YY; 2=MM/DD/YY; 3=DD/MM/YY; 4=MM-DD-YY; 5=DD-MM-YY; 6-MM.DD.YY; 7=DD.MM.YY; 8=MM DD YY; 9=DD MM YY
5	Timer Time Setting	GALEDTIME=	HHmmSS	HH=hour from 00 to 23; mm=minute from 00 to 59; SS=second from 00 to 59
6	Timer Month Language of Date	GALEDLANG=	XXX	ENG=English; FRA=France
7	Timer Display Mode	GALEDTMD=	X	This control command will not work on LED Sign Type=A or B mode. 1=Timer display after every message. 2=Timer display once after finished all messages.
8	Timer Hour Type	GALEDTMHR=	12 or 24	24=24 hours type (default); 12=12 hours type with AM, PM indicator
9	Timer Display Hold Time	GALEDSHTM=	XXX	From 001 to 999 seconds
10	Buzzer On/Off	GALEDBZ=	ON or OFF	ON=Buzzer beep enable; OFF=Buzzer beep disable
11	Buzzer On Time	GALEDBZTM=	XXX	From 001 to 999 seconds
12	Buzzer Music Type	GALEDBZTY=	X	Music type from 0 to 9
13	Scroll Speed Control	GALEDSPEED=	X	X=1 (slowest) to 5 (fastest); This scroll feature only active if the message is more than display's character length. It will be setting to default value when the LED Sign Type command is changed.
14	Default Message	GALEDMSG=	xxxxx...	It keeps 50 characters for message to replace default message of "Gold Apollo LED signs moving display". If use "GALEDTIME=HHmmSS" as the default message then the default message will show time information on the display.
15	Message Counter	GALEDMGCT=	XX	01=only use one message slot for any cap code and function bits; 24=each cap code and function will locate its message slot; AU=Auto can have 24 memory but does not care about cap codes. This 24 memory will do FIFO action, meaning if it's memory is full then oldest memory will move out of memory.
16	Auto Clear Delay Time	GALEDCLRDY=	XXX	000=auto clear disable, delay time=001 to 999 seconds, message will auto clear itself after delay time is time out.
17	Auto Clear Count Times	GALEDCLRCT=	XXX	000=auto clear disable, display how many times=001 to 999 times, message will auto clear itself after display times is time out.
18	Clear by "Reset" Command	GALEDRESCM=	ON OR OFF	ON=if the message has the header or trailer word "reset", then the message will be cleared. The header format is <i>reset</i> + message, the trailer format is message + <i>reset</i> . The word <i>reset</i> can be lower or upper case letters.
19	Time Stamp Mode	GALEDTMSM=	X	0=Off; 1=time stamp in the head of message; 2=time stamp at the end of message. Time stamp format is HH:MM (24 hour time format)
20	Non Scroll Hold Time	GALEDMGTM=	XXX	From 001 to 999 seconds, this feature is only active when the message length is less than message board's character length. The default time is 3 seconds.
21	Delete All Messages	GALEDDELALL		This command will clear all messages, then it will show the default message on the display.

Message Board Control Commands V2.00 (use for firmware V6.0 up)

Item	Features	Command	Parameters	Description
22	LED Sign Type	GALEDTYPE=	X	1=1 line 2=2 lines A=2 lines with timer on second line B=2 lines with timer on first line a=2 lines with default message is on second line b=2 lines with default message on first line
23	Message Display Sequence	GALEDSEQU=	X	0=FIFO (1st in 1st out); 1=LIFO (last in 1st out)
24	Appear Message Mode	GALEDAPPM=	X	This feature only works for LED Sign Type=1 or 2 0=Fly to Left (default); 1=Enter to Right 2=Extended to Bottom; 3=Fly from Top 4=Fly from Bottom; 5=Raining; 6=Snow Flakes 7=Appear right away; 8=Animation 1
25	Disappear Message Mode	GALEDDISM=	X	This feature only works for LED Sign Type=1 or 2 0=Continue (default); 1=Run to Left; 2=Curtain Right; 3=Curtain Down; 4=Fly Away; 5=Sink; 6=Flash & Invert; 7=Vapor; 8=Dissolve; 9=Flash; A=Disappear right away; B=Animation 1

Control Command Instruction and Examples

1: Timer display On/Off

GALEDTM=ON

Description: Timer display enables

2: Timer Date On/Off

GALEDDT=OFF

Description: Date disable at timer display

3: Timer Date Setting

GALEDDATE=111025

Description: The timer's date will set to 2011, Oct 25

4: Timer Date Mode

GALEDDTMD=5

Description: If the timer is set to 2011, Oct. 25, then it will show 25-10-11 on the display

5: Timer Time Setting

Timer Time Setting=061025

Description: The timer's time will set to 6:10AM 25 seconds

6: Timer Month Language of Date

Description: If the timer set to 2011, Oct. 25 and Date mode set to DD-MMM-YY, then it will show 25-OCT-11 on the display

7: Timer Display Mode

GALEDTMD=1

Description: If there are 3 messages, then it will show as follows: Message 1 → timer display → Message 2 → timer display → Message 3 → timer display → Message 1...(repeat)

GALEDTMD=2

Description: If there are 3 messages, then it will show as follows: Message 1 → Message 2 → Message 3 → timer display → Message 1...(repeat)

8: Timer Hour Type

GALEDTMHR=12

Description: The timer's hour type can be selected 12 hours. The default type is 24 hours

9: Timer Display Hold Time

GALEDSHTM=005

Description: The timer's time will show and hold 5 seconds

Control Command Instruction and Examples

10: Buzzer On/Off

GALEDBZ=ON

Description: The buzzer's beep is enabled

11: Buzzer On Time

GALEDBZTM=008

Description: The beep time is selected to 8 seconds

12: Buzzer Music Type

GALEDBZTY=0

Description: The beep type is selected to 0

13: Scroll Speed Control

GALEDSPEED=5

Description: The Scroll Speed is selected to fastest. Please note the scroll feature only works when your message is more than the message board's character length. If your board's length is 20 characters, then your message must be more than 21 characters for the scroll feature to work. Otherwise the message will hold for the hold time defined by command item 20 (Non Scroll Hold Time).

14: Default Message

GALEDMESG=Gold Apollo default message

Description: The default message will be "Gold Apollo default message". This message will show when you delete all messages.

15: Message Counter

GALEDMGCT=XX

Description: If the LED sign is deleted all messages and do a following paging example: (it uses Message Display Sequence=LIFO)

Step 1. Paging cap code 1 tone A: message 1

GALEDMGCT=01 (this is the command's selection)

GALEDMGCT=24 (the last message will show first)

GALEDMGCT=AU (the last message will show first) message 1 →...repeat (this is the message display on the LED sign)

Step 2. Paging cap code 1 tone B: message 2

GALEDMGCT=01 message 2 →...repeat

GALEDMGCT-24

GALEDMGCT-AU message 2 → message 1 →...repeat

Step 3. Paging cap code 1 tone C: message 3

GALEDMGCT-01 message 3 →...repeat

GALEDMGCT-24

GALEDMGCT-AU message 3 → message 2 → message 1 →...repeat

Step 4. Paging cap code 1 tone D: message 4

GALEDMGCT-01 message 4 →...repeat

GALEDMGCT-24

GALEDMGCT-AU message 4 → message 3 → message 2 → message 1 →...repeat

Step 5. Paging cap code 1 tone A: message 5

GALEDMGCT-01 message 5 →...repeat

GALEDMGCT-24 message 5 → message 4 → message 3 → message 2 →...repeat

GALEDMGCT-AU message 5 → message 4 → message 3 → message 2 → message 1 →...repeat

Step 6. Paging cap code 1 tone B: message 6

GALEDMGCT-01 message 6 →...repeat

GALEDMGCT-24 message 6 → message 5 → message 4 → message 3 → ...repeat

GALEDMGCT-AU message 6 → message 5 → message 4 → message 3 → message 2 → message 1 →...repeat

16: Auto Clear Delay Time

GALEDCLRDY=030

Description: The receiving message will show 30 seconds then clear itself.

17. Clear Count Times

GALEDRESCM-030

Description: The receiving message will show 30 times then clear itself.

18: Clear by "Reset" Command

GALEDRESCM-ON

Description: The Clear by "Reset" command is enabled. You can now clear messages as follows:

Example 1: Message content is "this is a test"

→reset this is a test

This head reset command will clear the message.

Example 2: Message content is "this is a test"

→this is a test RESET

This trailer reset command will clear the message.

19: Time Stamp Mode

GALEDTMSM=1

Description: The receiving message will add a time stamp to the head of the message

Example: Message content is " this is a test", Time is 17:58

The message will display as→ 17:58 this is a test

20: Non Scroll Hold Time

GALEDMGTM=005

Description: The non scroll message will show and hold 5 seconds. Also refer to Command Item 13 (Scroll Speed Control).

21: Delet All Messages

GALEDDELALL

Description: All messages will be deleted and the default message will display. Also refer to Command Item 14 (Default Message).

22: LED Sign Type

GALEDTYPE=2

Description: The Message Board will change to two line display mode.

23: Message Display Sequence

GALEDSEQU=1

Description: The Message Board will display message in FIFO (first in first out) mode.

24: Appear Message Mode

GALEDAPPM=8

Description: The Message Board will display an animation before the message

25: Disappear Message Mode

GALEDDISM=B

Description: The Message Board will display an animation after the message