

**SiteSync IQ® Wireless
Surface Mount Digital Clocks**



GENERAL INFORMATION

- Enclosure: Black anodized aluminum frame
- Size:..... 2.5" display: 4- & 6-digit - 12.250" x 5.1875" x 2.5"d
 4" display: 4-digit - 12.250" x 6.8750" x 2.5"d
 4" display: 6-digit - 17.250" x 6.8750" x 2.5"d
- Weight:Varies by model
- Visibility:2.5" digits–up to 125 feet; 4" digits–up to 200 feet
- Operating mode: 12- or 24-hour, selectable from SiteSync IQ system controller or clock menu;
 AM/PM dot in upper left corner for 12 hour mode
- Daylight Saving Time Adjustment: Automatic from SiteSync IQ system controller
- Display:7-segment LED
- Time Accuracy:±1 second to SiteSync IQ® master controller (syncs every minute)
- Battery:..... Non-rechargeable coin-cell battery
- Memory Retention..... Up to 10 years from coin-cell battery
- Reception Indicator:.....Blinking colons
- Operating Temperature:32°-104° F (0°-40° C)
- Operating Humidity:0 to 95% non-condensing
- Line Voltage:.....Part number dependent
- Clock Circuits: 3.0mA. max. @ 24vac/120vac
- Code Blue Circuits:..... 3.0mA. max. @ 12vac/vdc-30vac/vdc
- Warranty: 3 Years
- Calendar Clock Display Modes:

MM:DD:YY	DD:MM:YY	YY:MM:DD	M:D:YY	D:M:YY	YY:M:D
----------	----------	----------	--------	--------	--------

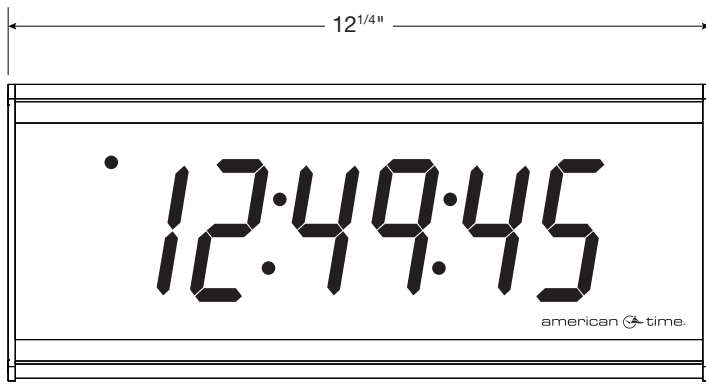
Note: These clocks are intended for use with a SiteSync IQ® Wireless Clock System.

ORDER INFORMATION

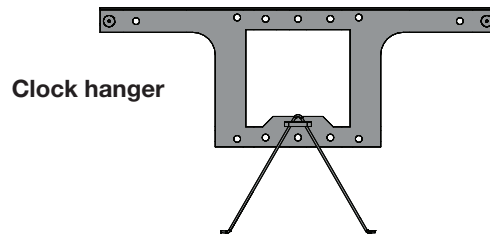
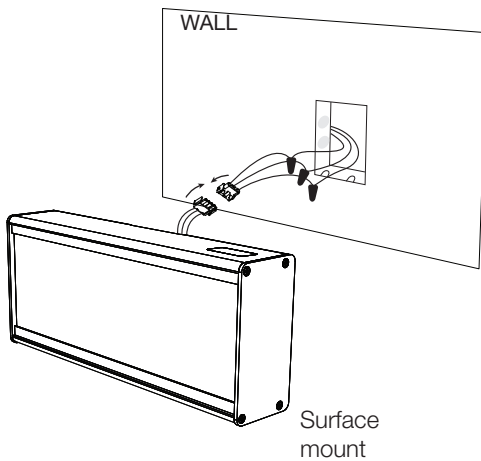
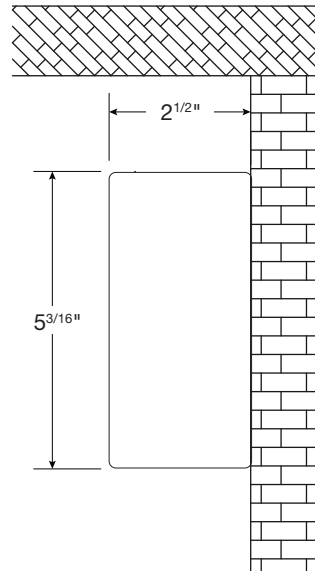
Part #	Description
SQD241RSA	2.5", 4-digit, 120vac, Red display, Molex
SQD241RSP	2.5", 4-digit, 120vac, Red display, 3 prong plug
SQD241RSB	2.5", 4-digit, 24vac, Red display, Molex
SQD261RSA	2.5", 6-digit, 120vac, Red display, Molex
SQD261RSP	2.5", 6-digit, 120vac, Red display, 3 prong plug
SQD261RSB	2.5", 6-digit, 24vac, Red display, Molex
SQD261RSK	2.5", 6-digit 220vac, Red display, Molex
SQD441RSA	4", 4-digit, 120vac, Red display, Molex
SQD441RSP	4", 4-digit, 120vac, Red display, 3 prong plug
SQD441RSB	4", 4-digit, 24vac, Red display, Molex
SQD441RSK	4", 4-digit 220vac, Red display, Molex
SQD461RSA	4", 6-digit, 120vac, Red display, Molex
SQD461RSP	4", 6-digit, 120vac, Red display, 3 prong plug
SQD461RSB	4", 6-digit, 24vac, Red display, Molex
SQD461RSK	4", 6-digit 220vac, Red display, Molex

Note: For green LED, change **R** in part number to **G**.

For Message/Countdown add-on, add C and the circuit number (1-6) to the end of the part number, i.e. SQD441RSAC1



2 1/2" display: 4- & 6-digit



Optional Timer Control Station



GENERAL INFORMATION

- Dimensions:.....4.63"h x 4.56"w x 1.25"d
- Weight0.27 lbs
- Distance of ATSTCS from clock:.....30' max. with 22 AWG stranded wire w/minimum 1/32" insulation
- Indications:.....2 second audible alarm (volume not adjustable)

DESCRIPTION

The American Time Timer Control Station is used when measuring elapsed time is important. It can be wired to any 6-digit clock for UP/DOWN timing in Code Blue situations. The Code Blue feature provides an override that forces the clock into a special count-up elapsed time mode. No matter which of the three normal functions of the clock is being displayed, Code Blue input will cause the unit to begin counting elapsed time from 00:00:00. All other functions of the unit continue to operate in the background and will return to correct time after the count up duration.

Part #	Description
ATSTCS	Timer Control Station

