

ORDER INFORMATION – CEILING MOUNT

Part #	Description (Clock)
SQD242RCA	2.5", 4-digit, 120vac, Red display, Molex
SQD242RCP	2.5", 4-digit, 120vac, Red display, 3 prong plug
SQD242RCB	2.5", 4-digit, 24vac, Red display, Molex
SQD262RCA	2.5", 6-digit, 120vac, Red display, Molex
SQD262RCP	2.5", 6-digit, 120vac, Red display, 3 prong plug
SQD262RCB	2.5", 6-digit, 24vac, Red display, Molex
SQD262RCK	2.5", 6-digit 220vac, Red display, Molex
SQD442RCA	4", 4-digit, 120vac, Red display, Molex
SQD442RCP	4", 4-digit, 120vac, Red display, 3 prong plug
SQD442RCB	4", 4-digit, 24vac, Red display, Molex
SQD442RCK	4", 4-digit 220vac, Red display, Molex
SQD462RCA	4", 6-digit, 120vac, Red display, Molex
SQD462RCP	4", 6-digit, 120vac, Red display, 3 prong plug
SQD462RCB	4", 6-digit, 24vac, Red display, Molex
SQD462RCK	4", 6-digit 220vac, Red display, Molex

Note: For green LED, change **R** in part number to **G**.

Part #	Description (Clock/Calendar)
SQD2M2RCA	2.5", 6-digit, 120vac, Red display, Molex
SQD2M2RCB	2.5", 6-digit, 24vac, Red display, Molex
SQD2M2RCK	2.5", 6-digit 220vac, Red display, Molex
SQD4M2RCA	4", 6-digit, 120vac, Red display, Molex
SQD4M2RCB	4", 6-digit, 24vac, Red display, Molex
SQD4M2RCK	4", 6-digit 220vac, Red display, Molex

Note: For green LED, change **R** in part number to **G**.

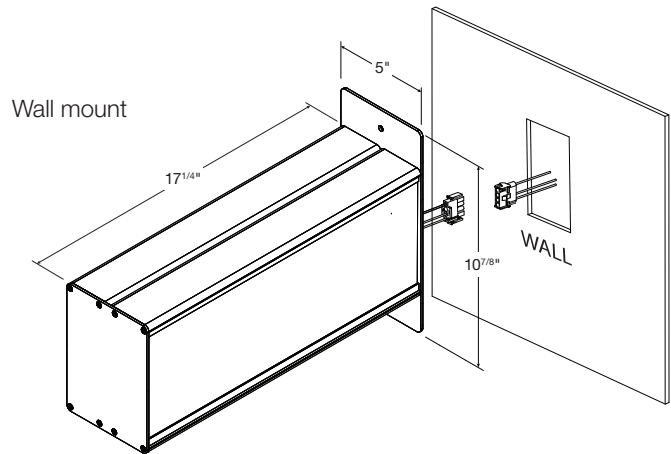
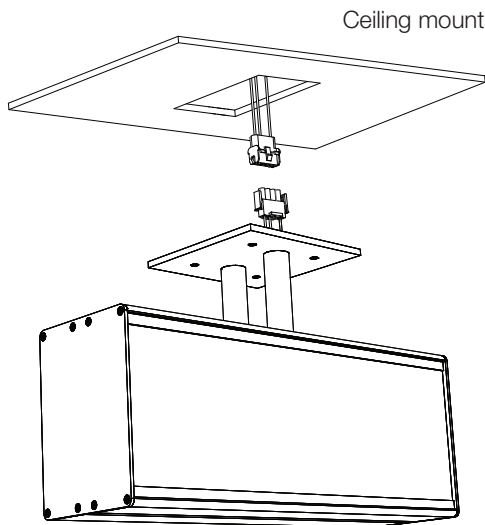
ORDER INFORMATION – WALL MOUNT

Part #	Description (Clock)
SQD242RWA	2.5", 4-digit, 120vac, Red display, Molex
SQD242RWP	2.5", 4-digit, 120vac, Red display, 3 prong plug
SQD242RWB	2.5", 4-digit, 24vac, Red display, Molex
SQD262RWA	2.5", 6-digit, 120vac, Red display, Molex
SQD262RWP	2.5", 6-digit, 120vac, Red display, 3 prong plug
SQD262RWB	2.5", 6-digit, 24vac, Red display, Molex
SQD262RWB	2.5", 6-digit 220vac, Red display, Molex
SQD442RWA	4", 4-digit, 120vac, Red display, Molex
SQD442RWP	4", 4-digit, 120vac, Red display, 3 prong plug
SQD442RWB	4", 4-digit, 24vac, Red display, Molex
SQD442RWB	4", 4-digit 220vac, Red display, Molex
SQD462RWA	4", 6-digit, 120vac, Red display, Molex
SQD462RWP	4", 6-digit, 120vac, Red display, 3 prong plug
SQD462RWB	4", 6-digit, 24vac, Red display, Molex
SQD462RWB	4", 6-digit 220vac, Red display, Molex

Note: For green LED, change **R** in part number to **G**.

Part #	Description (Clock/Calendar)
SQD2M2RWA	2.5", 6-digit, 120vac, Red display, Molex
SQD2M2RWB	2.5", 6-digit, 24vac, Red display, Molex
SQD2M2RWB	2.5", 6-digit 220vac, Red display, Molex
SQD4M2RWA	4", 6-digit, 120vac, Red display, Molex
SQD4M2RWB	4", 6-digit, 24vac, Red display, Molex
SQD4M2RWB	4", 6-digit 220vac, Red display, Molex

Note: For green LED, change **R** in part number to **G**.



4", 6-digit shown