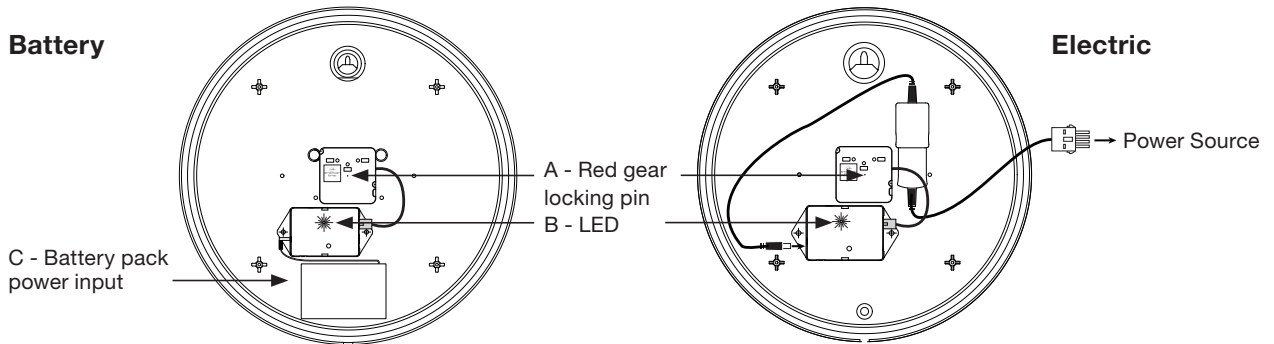


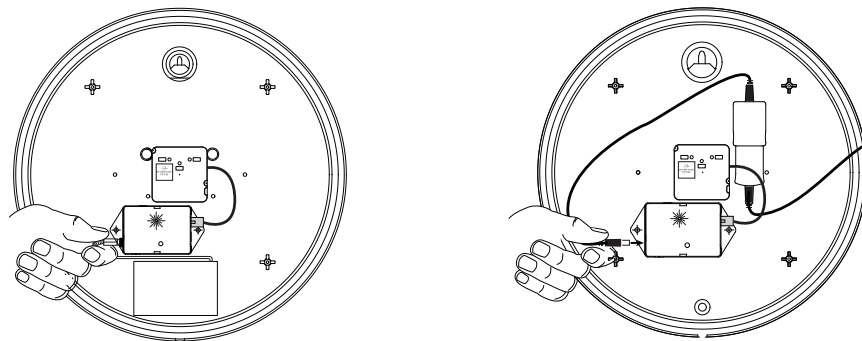
TITLE: HOMING WI-FI ANALOG CLOCKS		
INSTRUCTION SHEET: 3152	REVISION: 01	EFFECTIVE: 01-30-2018

If the clock is dropped it is possible for the clock hands to move from the correct placement. The Wi-Fi module can tell the clock movement to go to 12 o'clock to verify hand placement is still correct.



To check hand placement complete the following process:

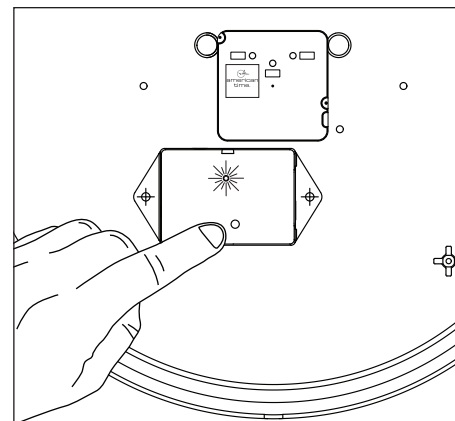
1. Apply power to Wi-Fi module by inserting the barrel plug from the power source into the left side of the Wi-Fi module where the power connection is located.



2. Verify the LED starts flashing red.
3. Wait for the LED to either stop flashing (**Battery clock**) or turn a solid color (**Electric clock**).

4. **Press and hold** the button located on the middle of the Wi-Fi module.
 - a. The LED should turn solid green to indicated the button press (**continue holding the button**).
 - b. Wait for the LED to flash orange one time (**do not release the button**).
 - c. Wait for the LED to flash orange twice.

5. **Release the button.**
 - a. Verify the LED turns solid red.
 - b. Verify the LED turns solid orange.
 - c. Verify the LED flashes green.



6. Hands should begin moving rapidly within 30 seconds.
 - a. If not, remove power and start with step 1 again.
7. Wait for hands to stop moving (this may take up to 20 minutes).
8. Verify all three hands (second hand, minute hand and hour hand) stop at the 12 position.
 - a. If not, contact American Time technical support at **800-328-8996**.
9. Power cycle Wi-Fi module by disconnecting barrel plug from the power source for 5 seconds and reconnecting.