

TITLE: INSTRUCTIONS FOR USING CLOCK HANGER, 10, 12, 15 INCH MOLDED CLOCKS

INSTRUCTION SHEET: 3166

REVISION: 02

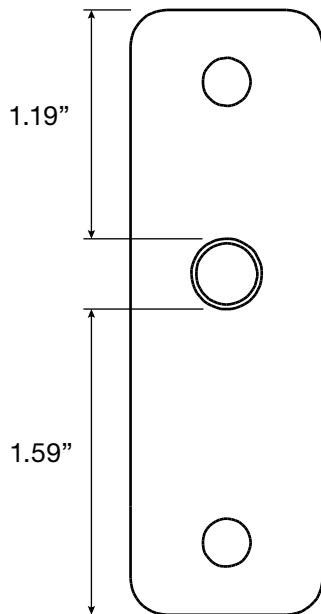
EFFECTIVE: 05-08-2018

General Instructions:

1. Hold **CLOCK** to wall in desired position
2. Mark TOP/CENTER of clock
3. Set clock aside
4. Hold **CLOCK HANGER** to wall where top of hanger aligns with marked position of TOP/CENTER of clock
5. Use holes for fastening hanger to wall with nails or screws
6. Hang clock (top of clock will line up with original TOP/CENTER mark)

Ordering Information:

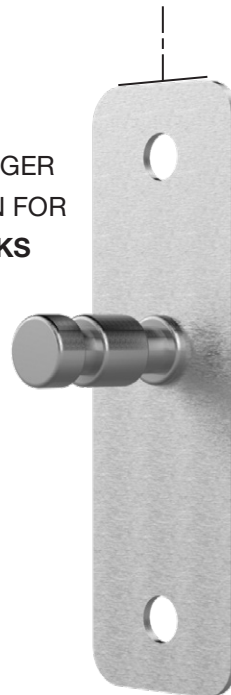
Part # H005047



ALIGN CENTER MARK
FOR TOP OF CLOCK

ALIGN CENTER MARK
FOR TOP OF CLOCK

CLOCK HANGER
ORIENTATION FOR
10" CLOCKS



CLOCK HANGER
ORIENTATION FOR
12" & 15" CLOCKS

