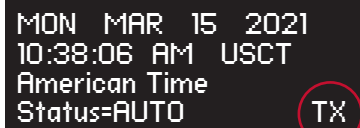


7

Verify Unit is Transmitting

The system controller now shows the correct time and date. You will no longer be prompted on power-up for setup information.

TX should display for about three seconds every 30 seconds (approximately the top and bottom of every minute) in the bottom right corner of the screen.



MON MAR 15 2021
10:38:06 AM USCT
American Time
Status=AUTO TX

8

Activate and hang your clocks

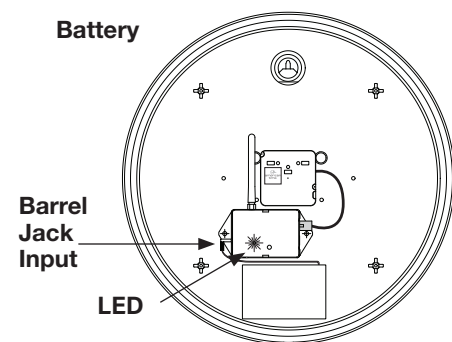
Don't activate the battery or apply power to the clocks until the system controller is installed and transmitting and the clock is in the intended location.

Note: Clocks should be installed within 24 hours of installing the system controller. After 24 hours, the system controller will enter Quiet Mode. Pressing 3-5-7 on the keypad will disable Quiet Mode for 6 hours. Reference Appendix J in the SiteSync IQ Installation and Operation Manual for more details on Quiet Mode.

Battery Analog Clocks

- Take the clock to the area where it will be used.
- To activate the clock, connect barrel jack plug of battery pack to wireless receiver. The LED on the back of the clock will flash red within 30 seconds of power-up to indicate receiver is looking for the wireless signal.
- When the signal is received, the LED will flash green. Be patient. The clock hands will rapid advance to the correct time. This may take up to seven minutes.
- Hang the clock after hands are rapid advancing.

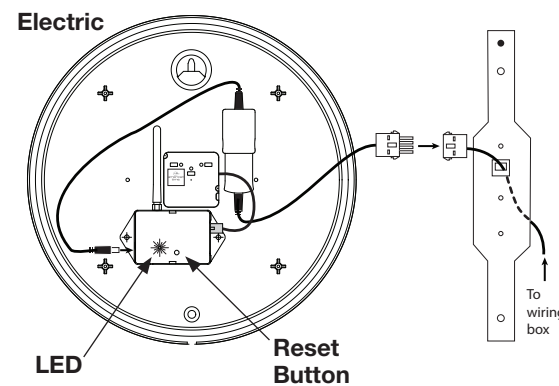
Note: If the LED does not flash within 30 seconds, remove the barrel jack plug of the battery pack from the wireless receiver for 5 seconds and reconnect it. This resets the receiver. The LED will begin flashing within 30 seconds.



Electric (AC) Analog Clocks

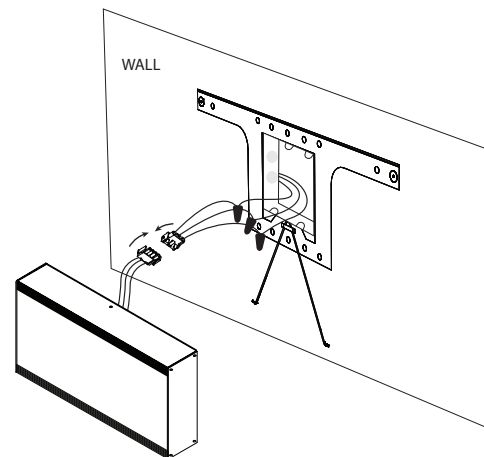
- Take the clock to the area where it will be used.
- To activate the clock, connect to AC power. The LED on the back of the clock (see below) will flash red within 30 seconds of power-up to indicate receiver is looking for the wireless signal.
- When the signal is received, the LED will flash green. Be patient. The clock hands will rapid advance to the correct time. This may take up to seven minutes.
- Hang the clock once signal reception is verified and clock is operating correctly.

Note: If the LED does not flash within 30 seconds, disconnect the barrel plug on the clock receiver, wait 10 seconds and reconnect. The LED will begin flashing within 30 seconds.



Digital Clocks

- Take the clock to the area where it will be used.
- To activate the clock, connect to 120vac power.
- Display will flash "U40" or 1:00 o'clock until it receives a signal.
- Verify synchronization takes place within 2-5 minutes.



Your SiteSync IQ system is now set up for proper operation. For information on other features, see the Installation and Operation Manual that was included with your system. If you have any questions, please contact Technical Support at American Time: **800-328-8996**.

SiteSync IQ® Wireless Clock System Ethernet with Campus TX Antenna



Please read this first!

After determining the proper wattage for your facility, we guarantee the coverage of your SiteSync IQ when you follow a few simple steps. If this is your first installation or you have questions at any time during this process, please call American Time toll free at **800-328-8996**. We're here to help!

This Quick Start Guide will help you avoid three common installation mistakes:

- Improper location of transmitting (TX) antenna.** A temporary install of the system controller is recommended. Don't drill holes for permanent installation and mounting until the system is working correctly.
- Improper system controller start-up.** A successful transmission is indicated by a TX in the lower right-hand corner of the system controller screen. Don't locate the campus TX antenna within 4' of the system controller.
- Improper clock start-up.** Activate clocks in their intended location. Don't activate the clocks in one room and move them to another location as signal reception will not be verified. Make sure the system controller is transmitting and is not in Quiet Mode.

Important Note: Clocks should be installed within 24 hours of installing the system controller. After 24 hours, the system controller will enter Quiet Mode. Pressing 3-5-7 on the keypad will disable Quiet Mode for 6 hours. Reference Appendix J in the SiteSync IQ Installation and Operation Manual for more details on Quiet Mode.

american  time.

phone: **800-328-8996**

online: american-time.com

fax: **800-789-1882**

QUICK START INSTALLATION GUIDE

1

Unpack the box

Remove the components and system controller from the box. Save the packing materials in case you need them later.

2

Check the components

Your system kit comes with:

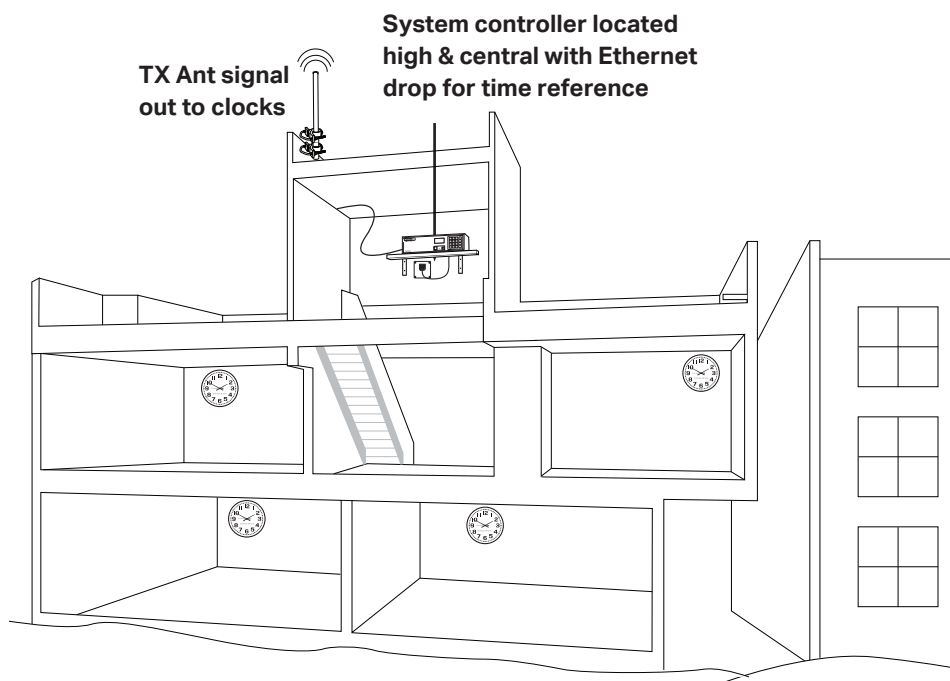
- System Controller
- Power supply (B)
- Campus TX antenna kit (C)
- USB Flash drive
- Installation and Operation Manual

3

Choose your location

- Locate the system controller in an area with a network drop, or run an Ethernet data cable to the unit from a network switch or hub.
- Choose a location for your campus TX antenna either outside or inside at the highest central location in your facility.

Note: The TX antenna must be located at least 4' away from the system controller

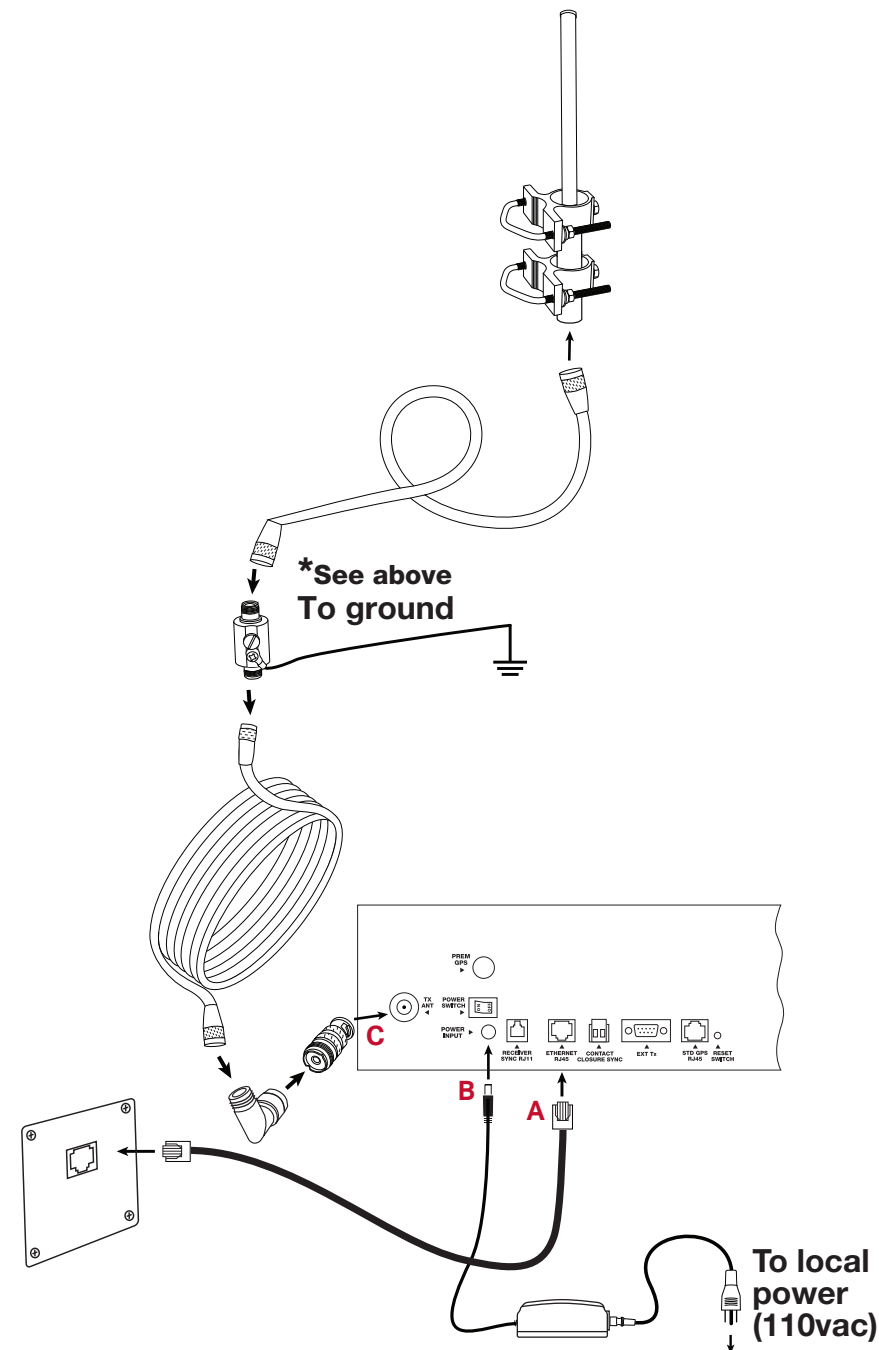


4

Connect cables to the system controller

- Connect a CAT 5 or higher Ethernet patch cable (not included) to the ETHERNET RJ45 port (A).
- Connect the System Controller power supply to the POWER INPUT port (B).
- Connect campus antenna to the TX ANT port (C).
*Lightning arrestor must be grounded per local electrical code.
- Plug 110v cord into power source. Turn the POWER SWITCH on the back of the system controller to the on position.

Note: If your system controller supports more than one time sync option, refer to the SiteSync IQ Installation & Operation Manual for detailed instructions.



SITESYNC IQ® WIRELESS CLOCK SYSTEM

5

Use the Setup Wizard

- PRESS** **SUN 1** to start the Setup Wizard (Page 10 in Installation Manual).
 - Create a 4 digit **User Lock** or enter 0000 to disable this feature. **PRESS** **OK**.
 - Create a 4 digit **Service Lock** (for advanced features) or enter 0000 to disable this feature. **PRESS** **OK**.
 - Select local time zone by using the **PREV <** **NEXT >** keys. **PRESS** **OK**.
USET=Eastern, USCT=Central, USMT=Mountain, USPT=Pacific
-
- Note:** There are 40 options to choose from (Appendix B in Installation Manual).
- PRESS** **AUTO 8** to select automatic DST (Daylight Saving Time) or **OFF 0** to disable DST if your location doesn't observe DST. **PRESS** **OK**.
 - PRESS** **SUN 1** for 12-hour mode - AM/PM (1:00PM). **PRESS** **MON 2** for 24-hour mode - Military (13:00). **Note:** Screen will advance immediately
 - PRESS** **SUN 1** to Enable DHCP or Press **MON 2** to Disable DHCP. **PRESS** **OK**.
 - Use the keypad to enter the Unit IP Address. **PRESS** **OK**.
 - Enter the Subnet Mask. **PRESS** **OK**.
 - Enter the Gateway IP. **PRESS** **OK**.
 - Enter the DNS IP. **PRESS** **OK**.
 - PRESS** **SUN 1** to use a Manual IP, or **PRESS** **MON 2** for a DNS IP Time Server. **PRESS** **OK**.
• If **SUN 1** Manual IP, enter Time Server Address and **PRESS** **OK** to accept. Repeat for Alternative Time Server.
• If **MON 2** DNS IP, **PRESS** **OK**.
Note: this value can only be changed in Remote Connect.
 - Press **OK** to accept the default **(80) Port Number**
 - To confirm proper set up, press **AUTO 8** to sync.
• If successful, "Ethernet Sync Successful" will display.
• If not successful, "Ethernet Sync Failed" will display. Refer to the troubleshooting guide in manual.
 - "Setup Wizard Successfully Completed" will display.

6

Select Clock Code (for existing wired clock systems)

Continue on to Step 7 if you are not connecting wired clock circuits.

- Reference Appendix I in the manual for clock codes and wiring information if you have wired circuits. Clock Code 01 is set from the factory. If 01 is the code required, skip to 7 – Verify Unit is Transmitting. If the code needs to be changed continue to next step.
- PRESS** **PROC FRI 6** and enter your service lock to access the Configuration Menu. From the Config Menu, **PRESS** **TUE 3**. This feature is used to set the clock code for wired clock circuits. Enter the clock code using the keypad, or choose 00 if you want to disable the clock code feature. Press **OK**.