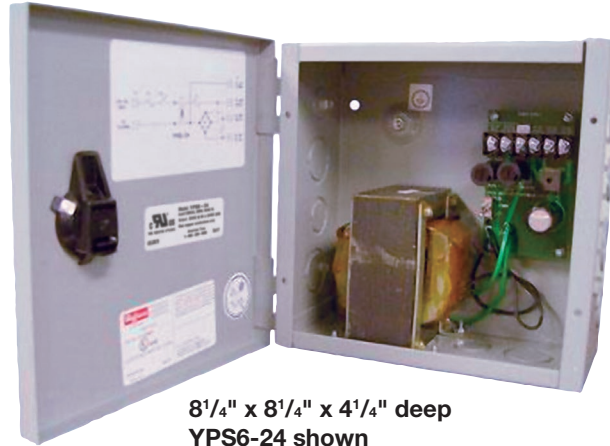


FEATURES

- 1 Year Warranty
- UL Recognized
- NEMA 1 enclosure
- 120vac, 50-60Hz, 230W
- 6 amp output
- Screw terminals for easy wiring
- Fused input and output



8 1/4" x 8 1/4" x 4 1/4" deep
YPS6-24 shown

GENERAL YPS6-24

The YPS6-24 step-down transformer operates from 120vac, is dual-fused (input /output) and is able to generate 24vac and 24vdc outputs. The unit generates 24v outputs at 6 amps, and has internal On/Off switch.

YPB6-24AC, YPB6-24DC-3W

The YPB6-24AC and YPB6-24DC-3W power boosters operate from 120vac and are dual-fused (input/output). Both models have an internal On/Off switch and generate a boosted output of 24v at 6 amps.

DESCRIPTION

All ATS power supplies and boosters are UL recognized. These products feature NEMA 1 enclosures with flush, coin slot latch-locking covers. NEMA 1 enclosures are general-purpose enclosures offering protection from tampering, accidental contact, and falling debris. Product enclosures are made of 16 gauge steel and are finished in gray enamel.

ORDERING INFORMATION

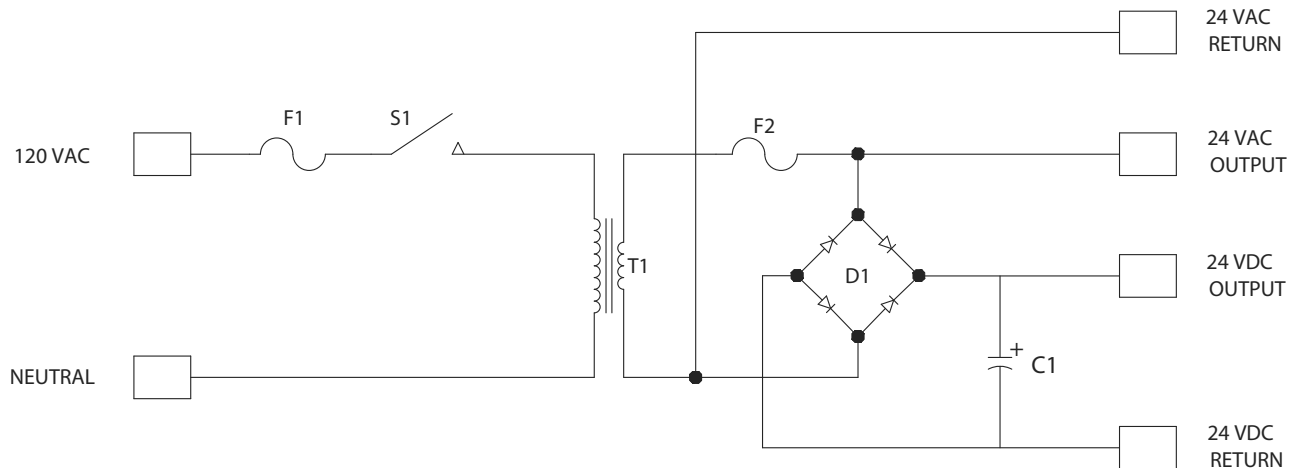
Power Supply

Model No. YPS6-24

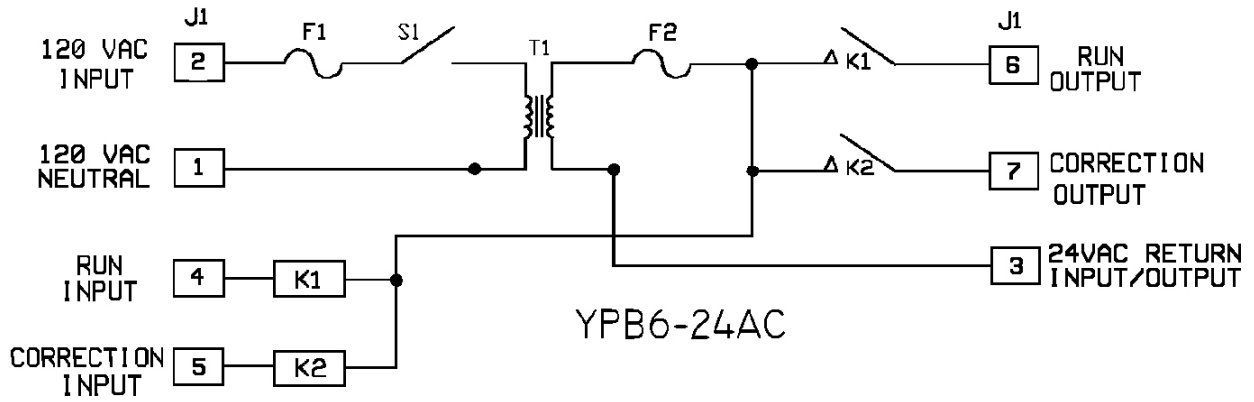
Power Boosters

Model No. YPB6-24AC 24vac, 3-wire synch booster
Model No. YPB6-24DC-3W 24vdc, 3-wire impulse booster

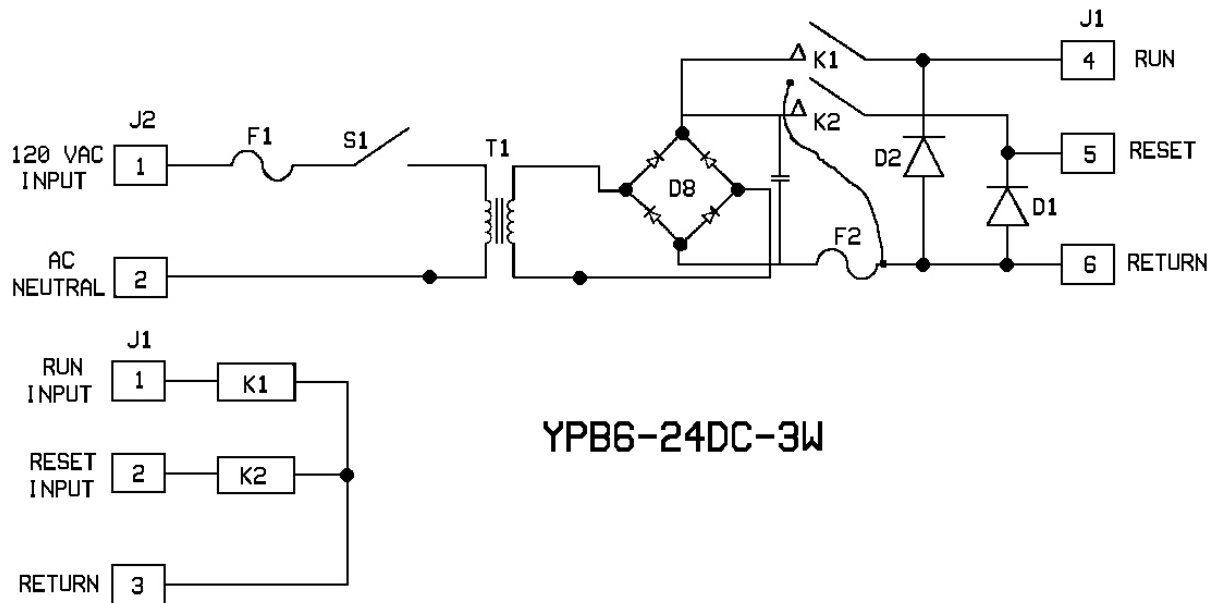
WIRING DIAGRAM FOR YPS6-24



WIRING DIAGRAM FOR YPB6-24AC



WIRING DIAGRAM FOR YPB6-24DC-3W



At American Time, we continually strive to improve our products to meet our customers' needs and to provide the best possible value. The above specifications are believed to be correct, are subject to change without notice and may otherwise vary from the above. Please call if you need verification of any specifications or the suitability of a particular product for a particular application. © American Time