



Wireless Analog Molded Plastic Case Electric Clocks



GENERAL INFORMATION

- 3 Year Warranty
- Wireless time synchronization
- Ultra-sensitive UHF receiver for facility-wide reception
- Automatic Daylight Saving Time adjustment
- Durable plastic case
- Surface clocks include a security bracket
- Up to one hour of continued operation during power outages

SPECIFICATIONS

Clock hour & minute hands	Black
Clock second hand	Red
Power	120/240vac or 24vac, 50/60 Hz
Remote Receiver	Option for rooms shielded from radio frequencies, such as hospital X-ray rooms. This option uses common RJ11 jacks to terminate both ends of the included 50 foot cable separating the receiver unit from the clock.
Input Voltage Range	120vac/240vac (10v to 240v) 24vac (15v to 30v)
Current draw	5mA (120vac) 3mA (240vac) >80mA (24vac)
Plug	120vac/240vac - 10A 125v 2 prong polarized plug, 6 ft. cord 24vac - 4 position Molex® connector
Rear panel indicator	Red LED indicates receiver is synchronizing to master time Green LED indicates power applied
Receiver sensitivity	10uV per meter
Antenna type	External
Time to synchronize	Initial sync time is 5-10 minutes
Time accuracy	±1 second to SiteSync IQ® Master Clock
Reset button	Press for 5 seconds to force time sync

PHYSICAL / ENVIRONMENTAL SPECIFICATIONS

Operating temperature	41°F to 131°F
Storage temperature	41°F to 131°F
Relative humidity	0% - 95% Non-condensing

Note: These clocks are intended for use with a SiteSync IQ® Wireless Clock System.

ORDERING INFORMATION

Part # w/Molex	Description
SQ46BAAD304	10" Round, Surface, 120/240vac
SQ46BABD304	10" Round, Surface, 24vac
SQ45BAAD?04	10" Round, Flush, 120/240vac
SQ45BABD?04	10" Round, Flush, 24vac
SQ56BAAD304	12" Round, Surface, 120/240vac
SQ56BABD304	12" Round, Surface, 24vac
SQ55BAAD?04	12" Round, Flush, 120/240vac
SQ55BABD?04	12" Round, Flush, 24vac
SQ66BAAD304	15" Round, Surface, 120/240vac
SQ66BABD304	15" Round, Surface, 24vac
SQ65BAAD?04	15" Round, Flush, 120/240vac
SQ65BABD?04	15" Round, Flush, 24vac
SQ92BAAD204	12" Round, double dial ceiling mount, 120/240vac
SQ92BABD204	12" Round, double dial ceiling mount, 24vac
SQ93BAAD204	12" Round, double dial wall mount, 120/240vac
SQ93BABD204	12" Round, double dial wall mount, 24vac
SQ62BAAD204	15" Round, double dial ceiling mount, 120/240vac
SQ62BABD204	15" Round, double dial ceiling mount, 24vac
SQ63BAAD204	15" Round, double dial wall mount, 120/240vac
SQ63BABD204	15" Round, double dial wall mount, 24vac

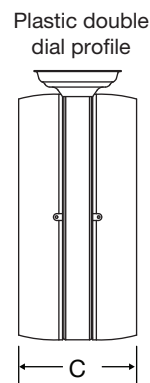
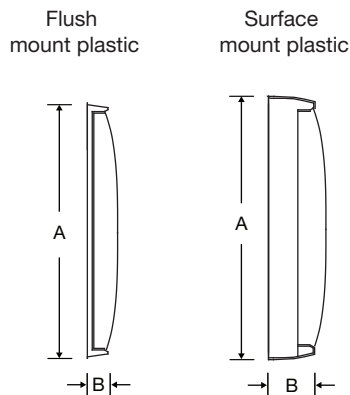
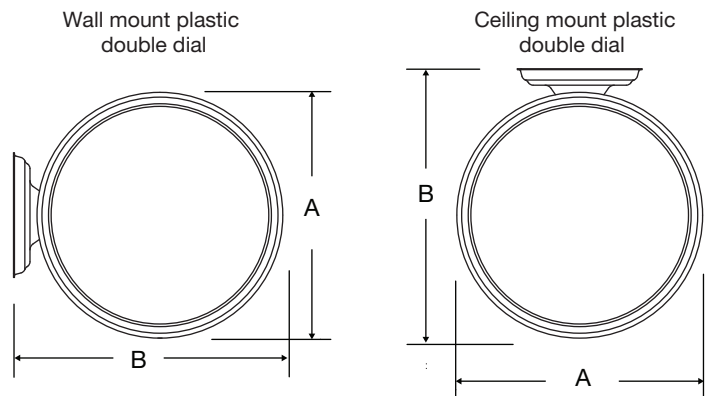
Note: If flush mounting, replace the ? in the part number with the number from the list below that will correspond with the system you're replacing. New flush mount installations require backboxes.

0 = Faraday **1** = National **5** = Simplex **6** = Cincinnati/Edwards **7** = 2-hook **8** = Standard Electric (SETCO)

Note: Personalized dial option available. Add L to the end of the Part #. Other dial styles and case colors available.

OUTSIDE DIMENSIONS

SIZE	A	B	C
Surface			
10"	10 ³ / ₈ "	2 ¹ / ₂ "	N/A
12"	13 ¹ / ₄ "	2 ¹ / ₂ "	N/A
15"	16"	2 ¹ / ₂ "	N/A
Flush			
10"	10 ³ / ₈ "	2"	N/A
12"	13 ¹ / ₄ "	2"	N/A
15"	16"	2"	N/A
Double Dial			
12"	13 ¹ / ₄ "	15"	8 ⁵ / ₈ "
15"	16"	19 ¹ / ₄ "	8 ⁵ / ₈ "



At American Time, we continually strive to improve our products to meet our customers' needs and to provide the best possible value. The above specifications are believed to be correct, are subject to change without notice and may otherwise vary from the above. Please call if you need verification of any specifications or the suitability of a particular product for a particular application.

© American Time