

Radio Controlled Clocks Wood Case

FEATURES

- 3 Year Warranty
- AA battery movement
- Automatic synchronization to WWVB
- Time change for ST/DST fully automatic
- Stepper movement
- Integrated antenna
- High speed time setting
- Manual time setting backup feature
- Wood case in a choice of two colors
- Sweep second hand
- Double dial mounting available in 12" and 15"
- Battery Booster (optional) in 12" and 15"

GENERAL

American time® Radio Controlled clocks with optional Battery Booster, are attractive modern clocks that will complement any architectural style.

Our Radio Controlled clocks are equipped with miniaturized radio receivers to receive the time signal transmitted by the National Institute of Standards and Technology (NIST) from Fort Collins, Colorado. The time signal is based on the cesium clock, the most accurate timekeeping device in the world. The clock will automatically receive and compare the time signal with the time shown on the clock. In case of a deviation, the clock will automatically correct its time to agree with the time signal. This procedure is executed eight times a day to keep the clock on time.

DESCRIPTION

The **american time**® Radio Controlled clock uses one AA alkaline battery. Optional Battery Booster uses six AA alkaline batteries and extends maintenance free clock operation for 5+ years. It can be set to any U.S. time zone: PT, MT, CT, ET and be used as a radio controlled movement. It can also be set manually for areas that have poor signal. Once the time zone is set, pin pulled, and battery installed, the movement will search for the time signal. Once the signal is received and processed it will do a fast run until the correct time is achieved. This process can be achieved in as little as 3 minutes with good signal but typically will be achieved at night when signal strength is greatest. Factors such as weather, structural characteristics and topographical conditions can limit or interfere with signal reception. We recommend letting your clock search for the signal for at least 72 hours. If the clock hasn't corrected it means that it is in a location that cannot receive the signal. Move clock to a different wall and make sure that it is several feet from electronic/electrical devices or large metal surfaces or objects.

Clocks are provided in round only solid wood cases with polycarbonate crystals and bold, black numerals and minute markers on a non-yellowing white dial. Stylish hour and minute hands are aluminum with a black finish and a red sweep hand.

*Movements may not work in all areas. We suggest a sample clock to make sure they will work for your application.

ORDERING INFORMATION

With Batter Booster Plus®

Part #	Description	Part #	Description
E35LOND337	8" Light Oak, surface	N/A	
E35MAND337	8" Mahogany, surface	N/A	
E35LOND355	8" Light Oak, surface	N/A	
E35MAND355	8" Mahogany, surface	N/A	
E56LGND304	12" Light Oak, surface	E56LGND304BP	12" Light Oak, surface
E56MGND304	12" Mahogany, surface	E56MGND204BP	12" Mahogany, surface
E66LGND304	15" Light Oak, surface	E66LGND304BP	15" Light Oak, surface
E66MGND204	15" Mahogany, surface	E66MGND204BP	15" Mahogany, surface

Note: Personalized dial option available. Add L to the end of the Part #.



Light Oak



Mahogany



Light Oak
55 dial style



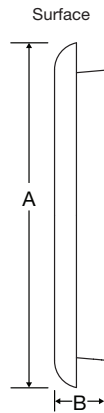
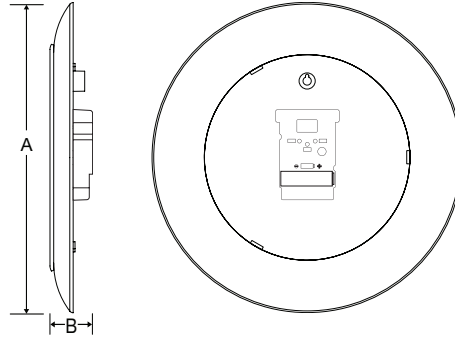
Mahogany
37 dial style

SPECIFICATIONS

Movement	Stepper	Normal Operation	1 Step/Sec
Operating voltage	1.25vdc to 1.70vdc	Nominal voltage	1.5vdc
Battery life	> 1 Year	Battery	AA alkaline
Setting time after reception	4 Minutes	Antenna	Built-in
Receiving time	3 – 16 Minutes	Operating temperature	23°F to 131°F (-5°C to +55°C)
Radio signal reception times	1:00, 3:00, 6:00, & 10:00 (AM & PM)	Gear alignment	12:00
Hand placement	12:00	Typical torque second hand	≥ 180µNm
Signal frequency	60 kHz		
Sensitivity	≤ 50µVm		

OUTSIDE DIMENSIONS

SIZE	A	B
Surface		
8"	11 ³ / ₄ "	1 ³ / ₄ "



OUTSIDE DIMENSIONS

SIZE	A	B
Surface		
12"	15 ³ / ₄ "	2 ¹ / ₂ "
15"	18 ¹ / ₂ "	2 ¹ / ₂ "

At American Time, we continually strive to improve our products to meet our customers' needs and to provide the best possible value. The above specifications are believed to be correct, are subject to change without notice and may otherwise vary from the above. Please call if you need verification of any specifications or the suitability of a particular product for a particular application. © American Time