

FEATURES

- Easy setup
- 8 distinct tones to choose from
 - Steady Tones
 - Pulsed Tones
 - Chime
 - Whoop
- Will accept input from most audio program sources
- Two Year Warranty



GENERAL DESCRIPTION

This four input Multi Tone Generator allows the user to trigger eight different pre-implemented tones, or accept input from most other program sources such as a radio tuner, receiver, CD player, etc.

The tones will take precedence over any background music or tones currently being sent through its audio input and will sound as long as the tone is triggered.

This product works well in conjunction with the SiteSync IQ® System Controllers, AllSync IQ® Masters and YMP Plus/YBP Plus Clock/Signal Programmers.

ORDER INFORMATION

Part # H004291A

See SPECIFICATIONS on Page 2

SPECIFICATIONS

Output Signal Specifications:

Rated Output: Adjustable from 0-1.5 volt P-P

Load Impedance: 600 ohms or higher

Controls: Gain control - screwdriver adjustment on the front panel

Inputs: T1-T4 four dry contact inputs for tone selection

Tone Selection Table				
Tone Description	T1	T2	T3	T4
333 HZ Tone	■			
333 HZ Tone - 2 Pulses	■	■		
333 HZ Tone - 3 Pulses	■		■	
Chime		■		
Whoop			■	
700 HZ Tone				■
700 HZ Tone - 2 Pulses		■	■	
700 HZ Tone - 3 Pulses			■	■

■ Indicates closed contacts on T1 through T4.
Close multiple contacts to select desired sound.

The Audio In input allows normal background audio to play. Pre-empted by tone selection inputs T1-T4.

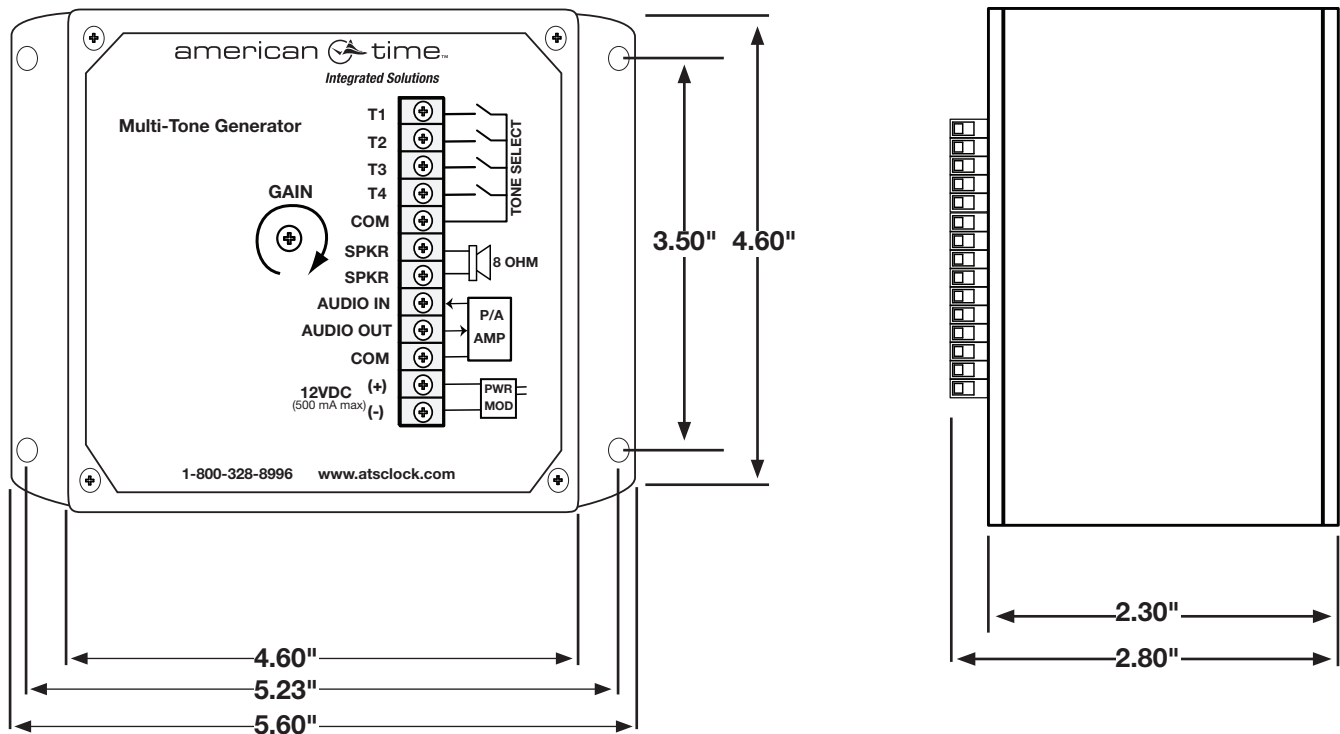
- Steady tones and Whoop last for the duration of the contact input.
- Pulsed tones are 0.4 seconds ON and 0.4 seconds OFF with a one second break before repeating.
- A two pulse tone repeats every 2.5 seconds for the duration of contact input.
- A three pulse tone repeats every 3.25 seconds for the duration of the contact input.
- The Chime sounds once when the contact is closed and again when the contact is opened.

Power Requirements: 12-15vdc, 230mA maximum plug-in Power Module (included)

Enclosure: Light gray plastic

Size: 4⁵/₈"h x 5⁵/₈"w x 2⁷/₈"d

Weight: 10.1 oz



At American Time, we continually strive to improve our products to meet our customers' needs and to provide the best possible value. The above specifications are believed to be correct, are subject to change without notice and may otherwise vary from the above. Please call if you need verification of any specifications or the suitability of a particular product for a particular application.

© American Time