



SiteSync IQ[®] Wireless Indoor Bell

The Wireless Bell is triggered wirelessly by the SiteSync IQ System Controller. This Wireless Bell is triggered by programmed events in the system controller, on demand using the MAN button on the system controller or with the Circuit Tab of the Remote Connect web interface (using a SiteSync IQ System Controller with the Ethernet option and a computer with internet access).

Each Wireless Bell is factory set to one of the wired signal circuit relays in the system controller. The part number will indicate which circuit of the system controller the bell is configured to (i.e. H004579-1 is set to circuit 1; H004579-2 is set to circuit 2).

FEATURES

- **2 Year Warranty**
- Wireless control manually or on a schedule using a SiteSync IQ System Controller or Remote Transmitter
- Two external mounting ears for easy installation

SPECIFICATIONS

Dimensions	8.375"h x 6"w x 4.8"d
Weight	3.62 lbs.
Power options	120vac/240vac, 0.07A, 50-60 Hz (hard wired)
Operating temperature	41 ° to 141 °F
Humidity	0%-95% Non-condensing
Bell volume	95 to 100dB
Receiver frequency	450-470 MHz (factory set)
Paging frequency	POCSAG, narrow band
Data baud rate	512 BPS
Receiver sensitivity	10uVM
Channel spacing	12.5 KHz

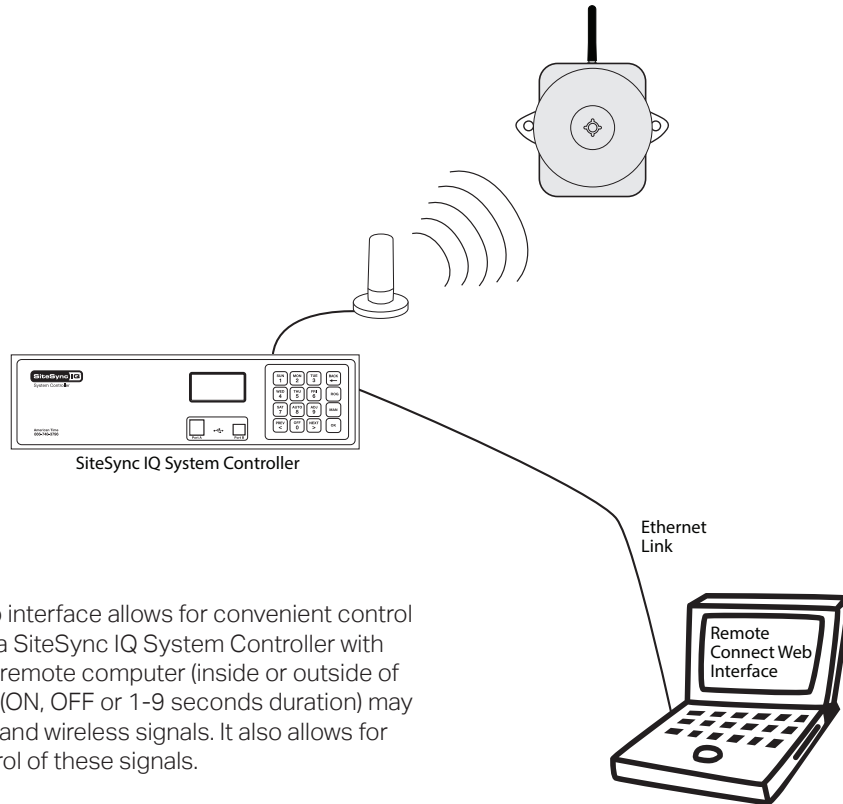
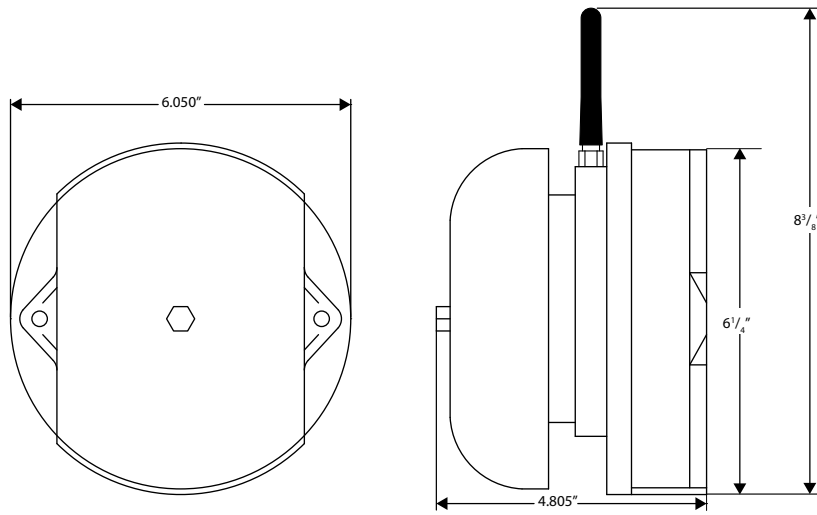
ORDERING INFORMATION

Part #	Description
H004579-1	for circuit 1
H004579-2	for circuit 2
H004579-3	for circuit 3
H004579-4	for circuit 4
H004579-5	for circuit 5
H004579-6	for circuit 6



MOUNTING

The Wireless Bell is easily mounted to a wall using the two mounting ears on the outside of the enclosure. *Mounting screws not provided.*



The Remote Connect web interface allows for convenient control of the Wireless Bell using a SiteSync IQ System Controller with the Ethernet option and a remote computer (inside or outside of the facility). Timed events (ON, OFF or 1-9 seconds duration) may be programmed for wired and wireless signals. It also allows for on demand (manual) control of these signals.

At American Time, we continually strive to improve our products to meet our customers' needs and to provide the best possible value. The above specifications are believed to be correct, are subject to change without notice and may otherwise vary from the above. Please call if you need verification of any specifications or the suitability of a particular product for a particular application. © American Time