

Stand Alone Double-Face Digital Clocks Wall and Ceiling Mount



Wall Mount (4" digits pictured)



Ceiling Mount (2.5" digits pictured)

GENERAL INFORMATION

- Enclosure:Black anodized aluminum frame
- Size:Varies by model
- Weight:Varies by model
- Visibility:2.5" digits—up to 125 feet; 4" digits—up to 200 feet
- Operating mode:.....12- or 24-hour, user-programmable. AM/PM dot in upper left corner for 12 hour mode
- Display:4 digits, 7-segment LED, 2.5" or 4" high characters, red or green digits
- Brightness options.....3 user-selectable brightness levels
- Operating Temperature:.....32°-122° F (0°-50° C)
- Operating Humidity:0 to 95% non-condensing
- Line Voltage:Part number dependent; see below for reference
- System Compatibility:..... Non-corrective
- Time Accuracy:.....±1 minute per year
- Battery Backup:.....Up to 10 year battery backup for internal realtime clock
- Warranty: Three Years

Model # nomenclature

SADX42XXX



(a) (b) (c) (d) (e) (f) (g)

a: Clock Type

SAD - Standalone Digital

b: Digit Size

2 - 2.5"

4 - 4"

c: Number of Digits

4 - 4-digit (hours and minutes)

d: Number of Clock Displays

2 - Double Display

e: LED Display Color

G - Green

R - Red

f: Mounting Type

C - Ceiling

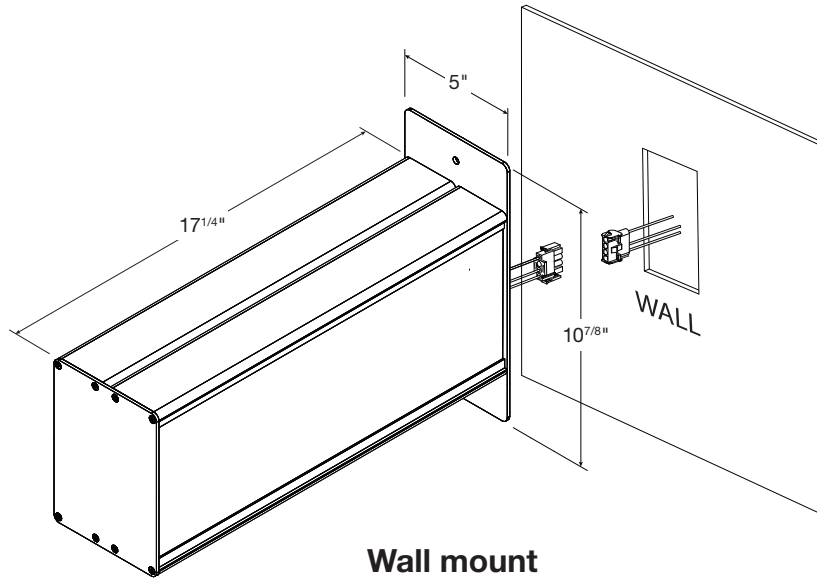
W - Wall

g: Power Type

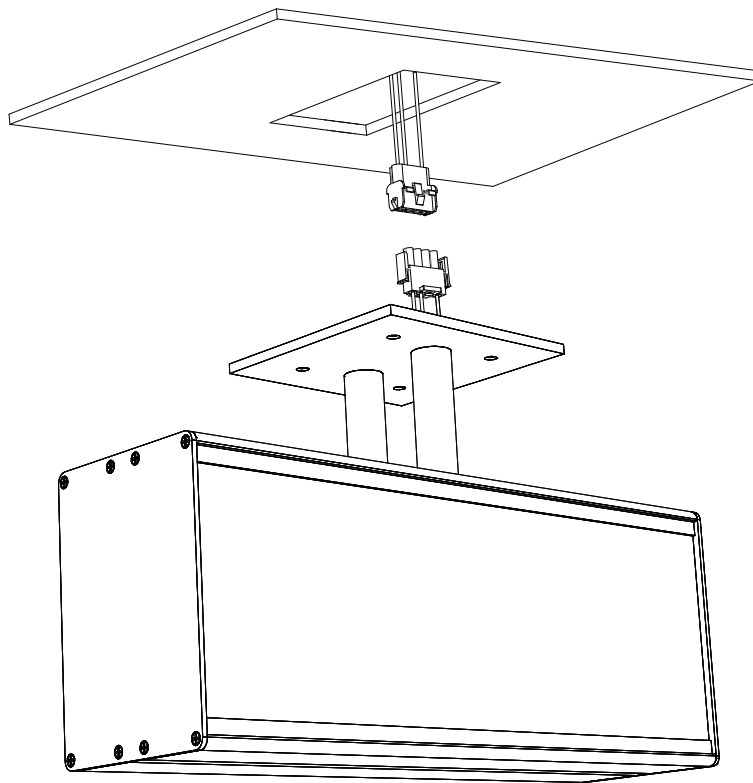
A - 120V Molex plug

B - 24V Molex plug

K - 220V Molex plug



Wall mount



Ceiling mount

At American Time, we continually strive to improve our products to meet our customers' needs and to provide the best possible value. The above specifications are believed to be correct, are subject to change without notice and may otherwise vary from the above. Please call if you need verification of any specifications or the suitability of a particular product for a particular application. © American Time