



Wi-Fi Analog Molded Case Electric Clocks



Wi-Fi analog clocks get accurate time from your Wi-Fi network and are one of the fastest and most cost-effective ways to get synchronized time. American Time Wi-Fi analog clocks are indoor devices that can be managed through the inCloud Management Portal.

FEATURES

- 3 Year Warranty
- Schedule with inCloud Management Portal

SPECIFICATIONS

Clock size options	10", 12", 15"
Clock weights	(10" – 1lb), (12" – 1.5lbs), (15" – 2lbs)
Clock case	Impact-resistant black plastic/built-in hanger
Mounting options	Surface or flush
Clock crystal	Polycarbonate
Clock hour & minute hands	Black
Clock second hand	Red
Current draw options	120VAC - 4.9 mA (max), 2.3 mA (ave - hourly sync) 24VAC - 10.2 mA (max), 9.3 mA (ave - hourly sync) 220vVAC - 2.3 mA (max), 1.3 mA (ave - hourly sync)
Input voltage range	120VAC/240VAC (110v to 240v) 24VAC (15v to 30v)
Plug options	120VAC - 10A, 125v 2-prong plug, 6 ft. cord 24VAC - 4 position Molex®
Wi-Fi	802.11n (802.11b/g compatible, 2.4 GHz only)
Supported data rates	72, 65, 43, 29, 22, 14, 7 Mbps (802.11n) 54, 48, 36, 24, 18, 12, 9, 6 Mbps (802.11g) 11, 5.5, 2, 1 Mbps (802.11b)
Security protocols	WEP, WPA/WPA2 and Enterprise (PEAPv0-MSCHAPv2)
Configuration	Clocks are pre-configured for plug-n-play installation (standard) or individually configured via Wi-Fi client through web page interface or using Android mobile app. Supports DHCP or static IP addressing.
Rear panel indicator	Red, orange and green LED indicates mode status
Antenna type	Internal
Time synchronization	Average time on the network is typically less than 10 seconds. Sync frequency is programmable from 1-12 hours. Staggered synchronization for unnoticeable network load with multiple clocks. Clock will display correct time within 10 minutes of applying power. Automatically adjusts for Daylight Saving Time changes.
Time accuracy	±1 second to SNTP time server. Supports two static IP address time servers for redundancy or pool SNTP domain names.
Operating/storage temperature	41°F to 131°F
Relative humidity	0% - 95% Non-condensing
Management & Scheduling	inCloud management portal (Only through subscription)

COMPLIANCE

- FCC Part 15 Class B
- ICES-003
- ROHS

ORDERING INFORMATION

Part # w/Molex	Description	Part # w/Molex	Description
W446BAAD304	10" Round, Surface, 120vac	W492BAAD204	12" Round, double dial ceiling mount, 120vac
W446BABD304	10" Round, Surface, 24vac	W492BABD204	12" Round, double dial ceiling mount, 24vac
W445BAAD?04	10" Round, Flush, 120vac	W493BAAD204	12" Round, double dial wall mount, 120vac
W445BABD?04	10" Round, Flush, 24vac	W493BABD204	12" Round, double dial wall mount, 24vac
W456BAAD304	12" Round, Surface, 120vac	W462BAAD204	15" Round, double dial ceiling mount, 120vac
W456BABD304	12" Round, Surface, 24vac	W462BABD204	15" Round, double dial ceiling mount, 24vac
W455BAAD?04	12" Round, Flush, 120vac	W463BAAD204	15" Round, double dial wall mount, 120vac
W455BABD?04	12" Round, Flush, 24vac	W463BABD204	15" Round, double dial wall mount, 24vac
W466BAAD304	15" Round, Surface, 120vac		
W466BABD304	15" Round, Surface, 24vac		
W465BAAD?04	15" Round, Flush, 120vac		
W465BABD?04	15" Round, Flush, 24vac		

Note:

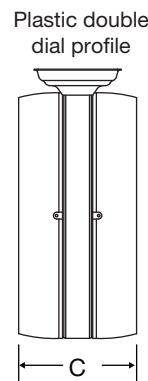
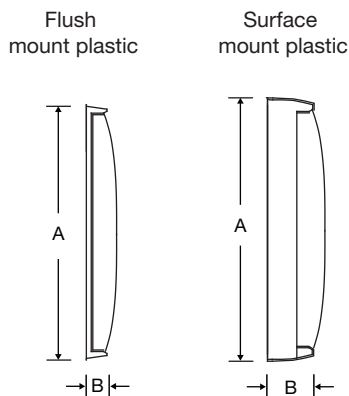
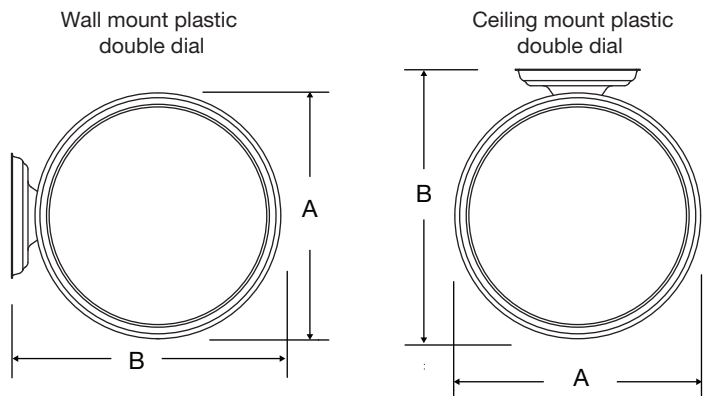
If flush mounting, replace the ? in the part number with the number from the list below that will correspond with the system you're replacing. New flush mount installations require backboxes.

0 = Faraday 1 = National 5 = Simplex® 6 = Cincinnati/Edwards 7 = 2-hook 8 = Setco

Other dial styles and case colors available.

Note: Add L to the end of the Part # for personalized dial option.

SIZE	OUTSIDE DIMENSIONS		
	A	B	C
Surface			
10"	10 ³ / ₈ "	2 ¹ / ₂ "	N/A
12"	13 ¹ / ₄ "	2 ¹ / ₂ "	N/A
15"	16"	2 ¹ / ₂ "	N/A
Flush			
10"	9 ⁷ / ₈ "	1 ³ / ₈ "	N/A
12"	13 ¹ / ₄ "	2"	N/A
15"	16"	2"	N/A
Double Dial			
12"	13 ¹ / ₄ "	15"	8 ⁵ / ₈ "
15"	16"	19 ¹ / ₄ "	8 ⁵ / ₈ "



At American Time, we continually strive to improve our products to meet our customers' needs and to provide the best possible value. The above specifications are believed to be correct, are subject to change without notice and may otherwise vary from the above. Please call if you need verification of any specifications or the suitability of a particular product for a particular application.

© American Time