



Wi-Fi Double-Face Digital Clocks Wall and Ceiling Mount



Wall Mount



Ceiling Mount

SPECIFICATIONS

Enclosure	Black anodized aluminum frame
Size	Varies by model
Weight	Varies by model
Visibility	2.5" digits—up to 125 feet; 4" digits—up to 200 feet
Operating mode	12- or 24-hour, user-programmable
Display	7-segment LED, 2.5" or 4" high characters, red or green digits
Brightness options	3 user-selectable brightness levels
Operating Temperature	32° -122° F (0° -50° C)
Operating Humidity	0 to 95% non-condensing
Line Voltage	24VAC, 120VAC, or 220VAC - Part number dependent, see part number diagram for reference
Wi-Fi	802.11n (802.11b/g compatible, 2.4 GHz only)
Supported data rates	72, 65, 43, 29, 22, 14, 7 Mbps (802.11n) 54, 48, 36, 24, 18, 12, 9, 6 Mbps (802.11g) 11, 5.5, 2, 1 Mbps (802.11b)
Security protocols	WEP, WPA/WPA2 and Enterprise (PEAPv0-MSCHAPv2)
Configuration	Clocks are designed to be pre-configured for plug-n-play installation (standard) and managed using the inCloud Management Portal. Clocks can also be individually configured via Wi-Fi client through web page interface. Supports DHCP or static IP addressing.
Antenna type	Internal
Time synchronization	Average time on the network is typically less than 10 seconds. Sync frequency is programmable from 1-12 hours. Staggered synchronization for unnoticeable network load with multiple clocks. Automatically adjusts for Daylight Saving Time changes.
Time accuracy	±1 second to SNTP time server. Supports two static IP address time servers for redundancy or pool SNTP domain names.
Battery backup	Up to 10 year battery backup for internal realtime clock
Warranty	3 Years

Optional Calendar Clock Display Modes:

MM:DD:YY	DD:MM:YY	YY:MM:DD	M:D:YY	D:M:YY	YY:M:D
----------	----------	----------	--------	--------	--------

COMPLIANCE

- FCC Part 15 Class B
- ICES-003
- RoHS

Model # nomenclature

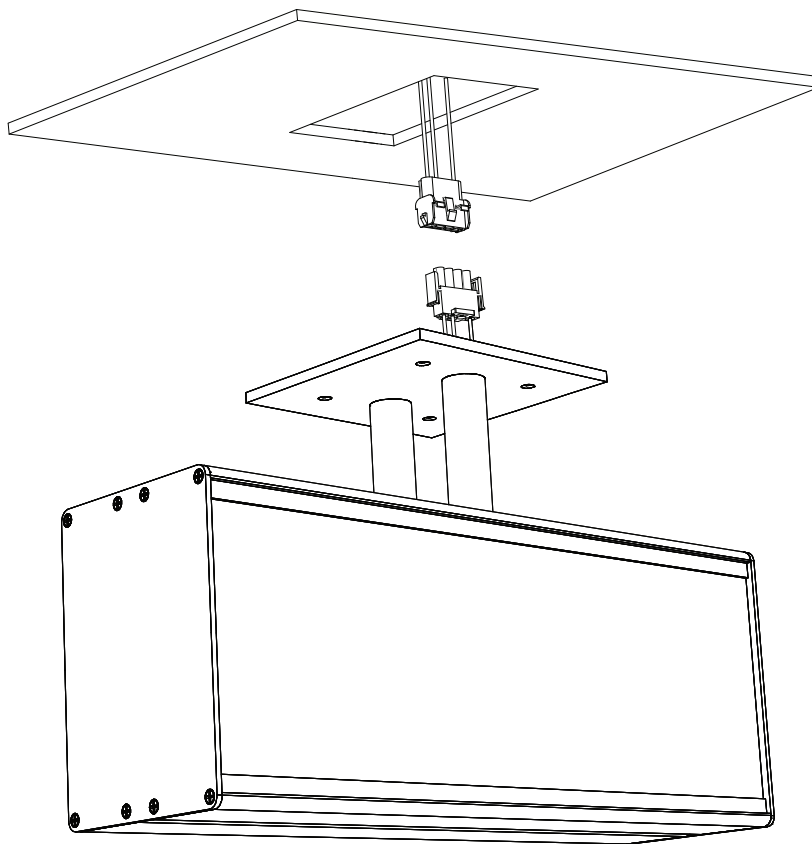
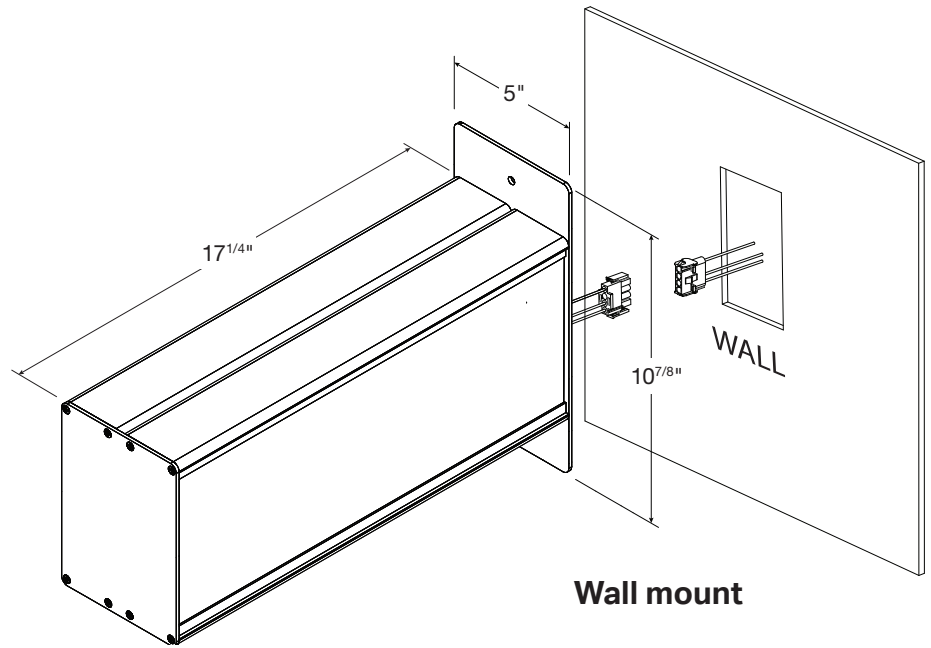
W4DXXXXXX

(a)
(b)
(c)
(d)
(e)
(f)
(g)

- | | |
|--|--|
| <p>a: Clock Type
W4D - Wi-Fi Digital</p> <p>b: Digit Size
2 - 2.5"
4 - 4"</p> <p>c: Number of Digits
4 - 4-digit (hours and minutes)
6 - 6-digit (hours, minutes, seconds)
M - 6-digit w/ calendar function</p> <p>d: Number of Clock Displays
1 - Single Display
2 - Double Display</p> | <p>e: LED Display Color
G - Green
R - Red</p> <p>f: Mounting Type
C - Ceiling
S - Surface
W - Wall</p> <p>g: Power Type
A - 120V Molex plug
B - 24V Molex plug
K - 220V Molex plug</p> |
|--|--|

POWER CONSUMPTION

			Red	Green
24VAC	2.5"	4-digit	382mA	306mA
		6-digit	515mA	334mA
	4"	4-digit	382mA	306mA
		6-digit	515mA	334mA
120VAC	2.5"	4-digit	100mA	72mA
		6-digit	128mA	77mA
	4"	4-digit	100mA	72mA
		6-digit	128mA	77mA
220VAC	2.5"	4-digit	82mA	65mA
		6-digit	98mA	69mA
	4"	4-digit	82mA	65mA
		6-digit	98mA	69mA



At American Time, we continually strive to improve our products to meet our customers' needs and to provide the best possible value. The above specifications are believed to be correct, are subject to change without notice and may otherwise vary from the above. Please call if you need verification of any specifications or the suitability of a particular product for a particular application.

© American Time