



4", 6-digit ceiling mount



4", 4-digit wall mount

FEATURES

- 3 year warranty
- Time zone management
- Supports up to 10 SNTP servers for redundancy
- Supports Daylight Saving Time
- 12/24 Hour Mode with PM indicator
- Power over Ethernet (IEEE802.3af)
- DHCP or Static IP addressing
- Network Clock Connect configuration
- Programmable brightness controls (High, Low, Sleep, Off)
- Countdown timer
- Scheduling (Buzzer/Relay) - maximum of 100 scheduled events

OPTIONAL FEATURES

- Configurable date/time toggle durations
- Calendar Clock Display Modes:

MM:DD:YY	DD:MM:YY	YY:MM:DD	M:D:YY	D:M:YY	YY:M:D
----------	----------	----------	--------	--------	--------

CERTIFICATIONS

- Electromagnetic Emissions
 - EN 55032:2012/AC:2013 Class B
 - FCC 15.107:2018 Class B
 - FCC 15.109:2018 Class B
 - ICES-003:2016 Class B
- Electromagnetic Immunity
 - EN 55024:2010
- Safety
 - CB



DESCRIPTION

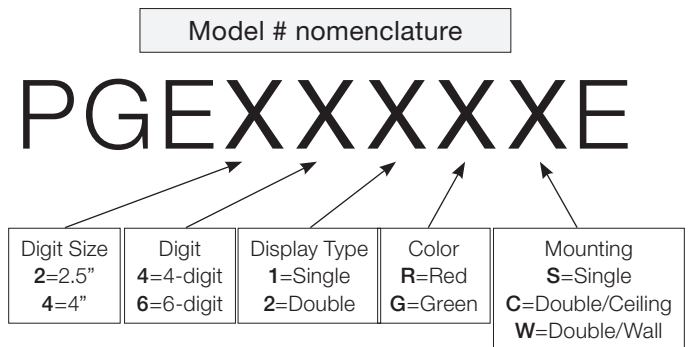
Power over Ethernet (PoE) is a recognized standard (IEEE802.3af) for delivering power over an Ethernet cable. PoE uses a single CAT5 or higher Ethernet patch cable to provide both power and synchronization signals, saving on installation costs and maintenance. It is recommended that an uninterruptible power supply (UPS) be part of the Ethernet network system to maintain clock function during a power outage.

Enclosure constructed of polished black anodized aluminum.

PoE clocks with the buzzer option have a decibel rating of 65 dBA at 10 feet. Clocks are provisioned and monitored through the inCloud Management Portal. Up to 100 events can be scheduled and managed with Network Clock Connect. Download at: <http://www.american-time.com/support/product-documentation?t=10>

ORDERING INFORMATION

- PGEXXXXXE- Base version
 - PGEXXXXXEB - Base w/Buzzer
 - PGEXMXXXXE - Base w/Calendar
 - PGEXMXXXXEB - Base w/Calendar & Buzzer
- Note:** The X's are model dependent



Accessories

TMA200 Single port PoE injector

Note: PoE clocks are factory set to your time zone. Please specify when placing an order.

SPECIFICATIONS

Dimensions (not including ceiling mounting plate or wall endcap):

Digital Clocks: 2.5" display: 4 & 6 digit - 12.250" x 5.1875" x 5"d

4" display: 4 digit - 12.250" x 6.8750" x 5"d

4" display: 6 digit - 17.250" x 6.8750" x 5"d

Weight: Digital Clock: Varies by model

Visibility: 2.5" display: up to 125'

4.0" display: up to 200'

Power Consumption (both sides combined): PoE, IEEE 802.3af compliant

Size	Digits	Color	Power average	Power Max
2.5"	4	Green	10.0W	12.0W
		Red	11.0W	14.0W
	6	Green	12.0W	14.0W
		Red	13.0W	16.0W

Size	Digits	Color	Power average	Power Max
4"	4	Green	10.0W	12.0W
		Red	11.0W	14.0W
	6	Green	12.0W	14.0W
		Red	13.0W	16.0W

Operating Temperature:..... 32°F to 104°F (0° to 40°C)

Operating Humidity: 95% maximum, non-condensing

Accuracy: ±1 second

BUZZER/RELAY OPTION SPECIFICATIONS

Dry contact closure

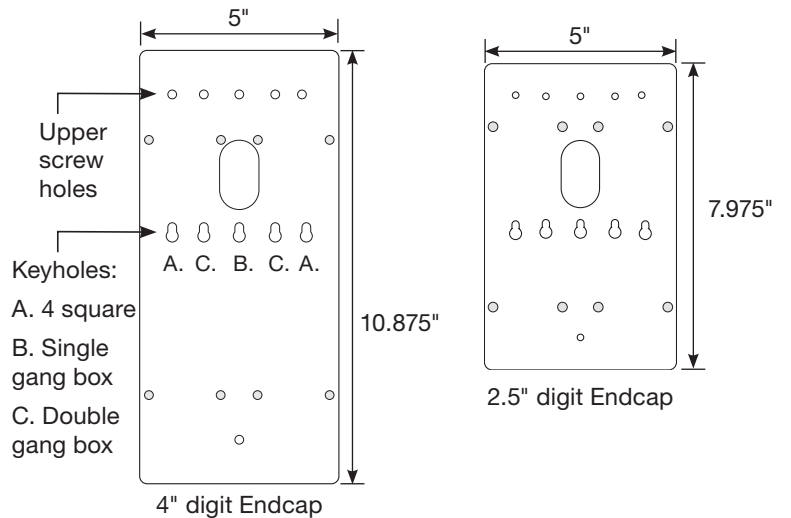
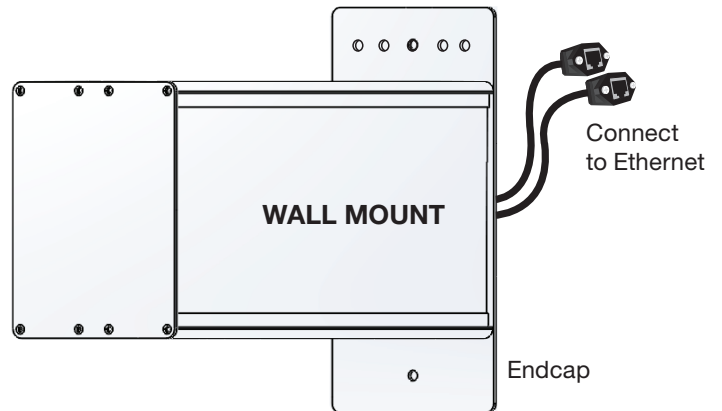
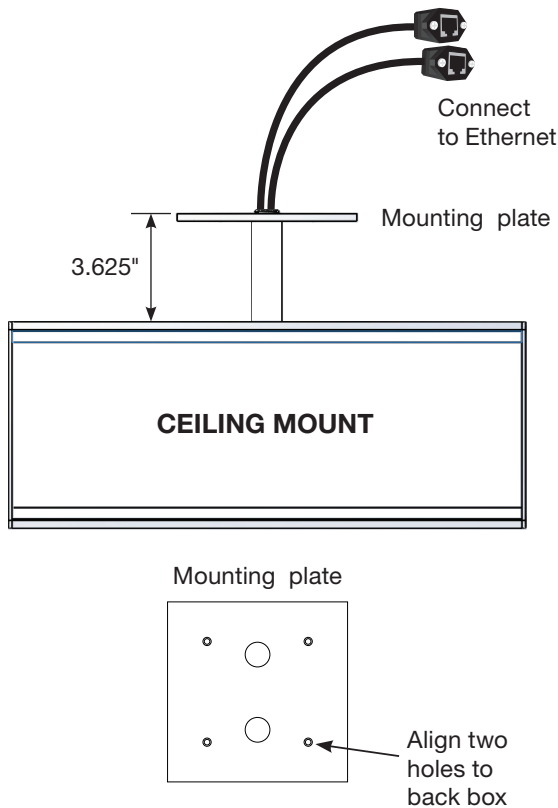
Wiring for internal relay closure:

Maximum Voltage:..... 125vdc, 150vac

Maximum Switched Current: 1A

Maximum Carrying Current: 1A

Maximum Switch Power: 30W (DC), 60VA (AC)



At American Time, we continually strive to improve our products to meet our customers' needs and to provide the best possible value. The above specifications are believed to be correct, are subject to change without notice and may otherwise vary from the above. Please call if you need verification of any specifications or the suitability of a particular product for a particular application. © American Time