

**Wi-Fi
Double-Face Digital Clocks
Wall and Ceiling Mount**



Wall Mount



Ceiling Mount

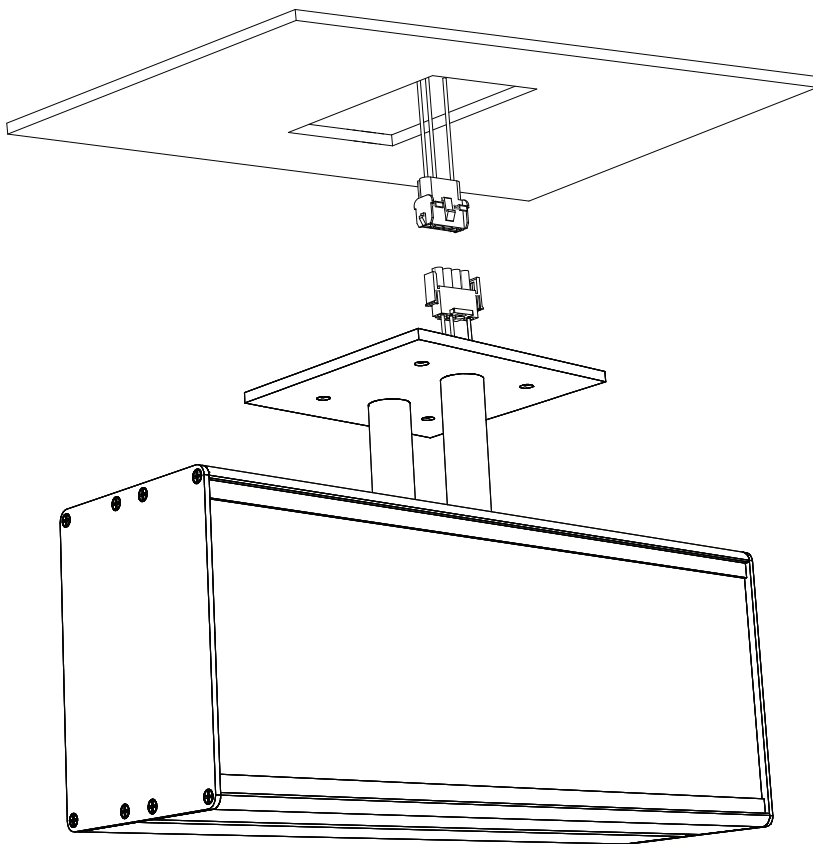
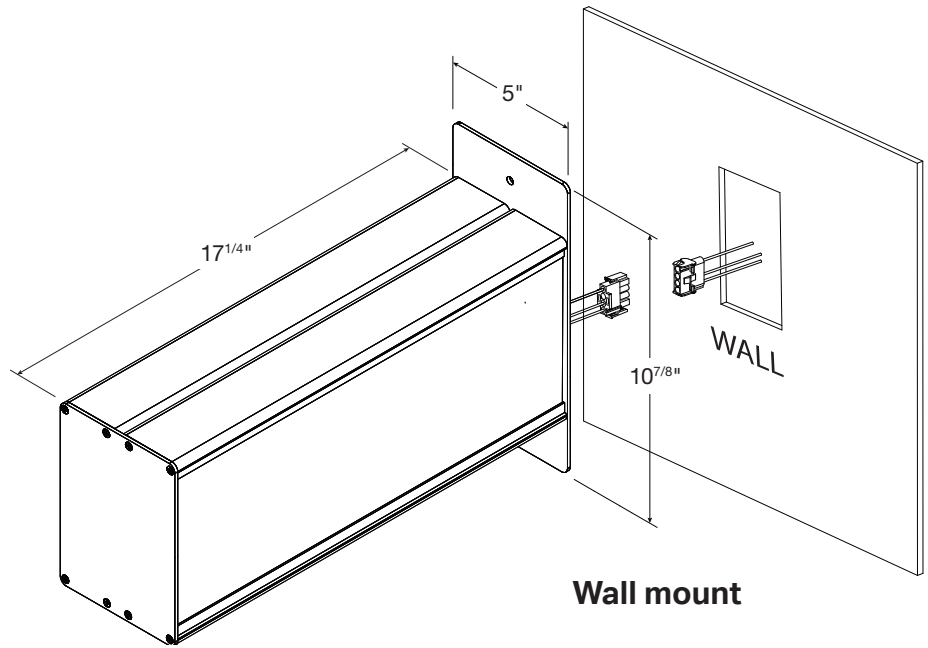
GENERAL INFORMATION

- Enclosure:Black anodized aluminum frame
- Size:Varies by model
- Weight:Varies by model
- Visibility:2.5" digits–up to 125 feet; 4" digits–up to 200 feet
- Operating mode:12- or 24-hour, user-programmable
- Display:.....7-segment LED, 2.5" or 4" high characters, red or green digits
- Brightness options:3 user-selectable brightness levels
- Operating Temperature:32° -122° F (0° -50° C)
- Operating Humidity:0 to 95% non-condensing
- Line Voltage:.....24VAC, 120VAC, or 220VAC - Part number dependent, see part number diagram for reference
- Wi-Fi:802.11n (802.11b/g compatible, 2.4 GHz only)
- Supported data rates:72, 65, 43, 29, 22, 14, 7 Mbps (802.11n)
54, 48, 36, 24, 18, 12, 9, 6 Mbps (802.11g)
11, 5.5, 2, 1 Mbps (802.11b)
- Security protocols:.....WEP, WPA/WPA2 and Enterprise (PEAPv0-MSCHAPv2)
- Configuration:Clocks are designed to be pre-configured for plug-n-play installation (standard) and managed using the inCloud Management Portal. Clocks can also be individually configured via Wi-Fi client through web page interface. Supports DHCP or static IP addressing.
- Antenna type:Internal
- Time synchronization:Average time on the network is typically less than 10 seconds. Sync frequency is programmable from 1-12 hours. Staggered synchronization for unnoticeable network load with multiple clocks. Automatically adjusts for Daylight Saving Time changes.
- Time accuracy:±1 second to SNTP time server. Supports two static IP address time servers for redundancy or pool SNTP domain names.
- Battery backup:.....Up to 10 year battery backup for internal realtime clock
- Warranty:3 Years
- Optional Calendar Clock Display Modes:

MM:DD:YY	DD:MM:YY	YY:MM:DD	M:D:YY	D:M:YY	YY:M:D
----------	----------	----------	--------	--------	--------

COMPLIANCE

- FCC Part 15 Class B
- ICES-003
- RoHS



At American Time, we continually strive to improve our products to meet our customers' needs and to provide the best possible value. The above specifications are believed to be correct, are subject to change without notice and may otherwise vary from the above. Please call if you need verification of any specifications or the suitability of a particular product for a particular application. © American Time

Model # nomenclature

W N D X X X X X X



(a) (b) (c) (d) (e) (f) (g)

a: Clock Type

WND - Wi-Fi Digital

b: Digit Size

2 - 2.5"

4 - 4"

c: Number of Digits

4 - 4-digit (hours and minutes)

6 - 6-digit (hours, minutes, seconds)

M - 6-digit w/ calendar function

d: Number of Clock Displays

1 - Single Display

2 - Double Display

e: LED Display Color

G - Green

R - Red

f: Mounting Type

C - Ceiling

S - Surface

W - Wall

g: Power Type

A - 120V Molex plug

B - 24V Molex plug

K - 220V Molex plug