

**SiteSync IQ® Wireless  
Double-Face Digital Clocks**



Wall Mount



Ceiling Mount

**GENERAL INFORMATION**

- Enclosure: ..... Black anodized aluminum frame
- Size: ..... 2.5" display: 4- & 6-digit - 12.250" x 5.1875" x 5"d (without mounting bracket)  
..... 4" display: 4-digit - 12.250" x 6.8750" x 5"d (without mounting bracket)  
..... 4" display: 6-digit - 17.250" x 6.8750" x 5"d (without mounting bracket)
- Weight: ..... Varies by model
- Visibility: ..... 2.5" digits—up to 125 feet; 4" digits—up to 200 feet
- Operating mode: ..... 12- or 24-hour, selectable from SiteSync IQ system controller or clock menu;  
AM/PM dot in upper left corner for 12 hour mode
- Daylight Saving Time Adjustment: Automatic from SiteSync IQ system controller
- Display: ..... 7-segment LED
- Time Accuracy: ..... ±1 second to SiteSync IQ® master controller (syncs every minute)
- Battery: ..... Non-rechargeable coin-cell battery
- Memory Retention: ..... Up to 10 years from coin-cell battery
- Reception Indicator: ..... Blinking colons
- Operating Temperature: ..... 32°-104° F (0°-40° C)
- Operating Humidity: ..... 0 to 95% non-condensing
- Line Voltage: ..... Part number dependent
- Clock Circuits: ..... 3.0mA. max. @ 24vac/120vac
- Code Blue Circuits: ..... 3.0mA. max. @ 12vac/vdc-30vac/vdc
- Warranty: ..... 3 Years
- Calendar Clock Display Modes:

|          |          |          |        |        |        |
|----------|----------|----------|--------|--------|--------|
| MM:DD:YY | DD:MM:YY | YY:MM:DD | M:D:YY | D:M:YY | YY:M:D |
|----------|----------|----------|--------|--------|--------|

**Note:** These clocks are intended for use with a SiteSync IQ® Wireless Clock System.

**ORDER INFORMATION – CEILING MOUNT**

| Part #    | Description (Clock)                       |
|-----------|---|
| SQD242RCA | 2.5", 4-digit, 120vac, Red display, Molex |
| SQD242RCB | 2.5", 4-digit, 24vac, Red display, Molex  |
| SQD262RCA | 2.5", 6-digit, 120vac, Red display, Molex |
| SQD262RCB | 2.5", 6-digit, 24vac, Red display, Molex  |
| SQD262RCK | 2.5", 6-digit 220vac, Red display, Molex  |
| SQD442RCA | 4", 4-digit, 120vac, Red display, Molex   |
| SQD442RCB | 4", 4-digit, 24vac, Red display, Molex    |
| SQD442RCK | 4", 4-digit 220vac, Red display, Molex    |
| SQD462RCA | 4", 6-digit, 120vac, Red display, Molex   |
| SQD462RCB | 4", 6-digit, 24vac, Red display, Molex    |
| SQD462RCK | 4", 6-digit 220vac, Red display, Molex    |

**Note:** For green LED, change **R** in part number to **G**.

| Part #    | Description (Clock/Calendar)              |
|-----------|---|
| SQD2M2RCA | 2.5", 6-digit, 120vac, Red display, Molex |
| SQD2M2RCB | 2.5", 6-digit, 24vac, Red display, Molex  |
| SQD2M2RCK | 2.5", 6-digit 220vac, Red display, Molex  |
| SQD4M2RCA | 4", 6-digit, 120vac, Red display, Molex   |
| SQD4M2RCB | 4", 6-digit, 24vac, Red display, Molex    |
| SQD4M2RCK | 4", 6-digit 220vac, Red display, Molex    |

**Note:** For green LED, change **R** in part number to **G**.

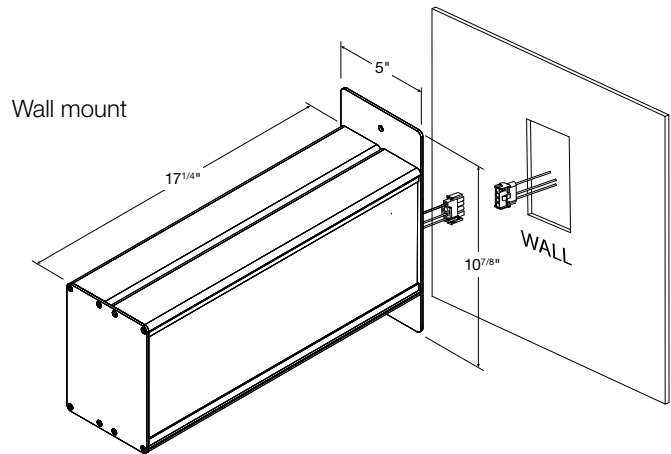
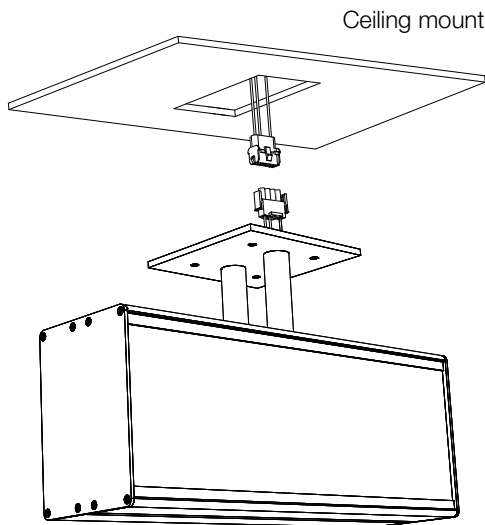
**ORDER INFORMATION – WALL MOUNT**

| Part #    | Description (Clock)                       |
|-----------|---|
| SQD242RWA | 2.5", 4-digit, 120vac, Red display, Molex |
| SQD242RWB | 2.5", 4-digit, 24vac, Red display, Molex  |
| SQD262RWA | 2.5", 6-digit, 120vac, Red display, Molex |
| SQD262RWB | 2.5", 6-digit, 24vac, Red display, Molex  |
| SQD262RWB | 2.5", 6-digit 220vac, Red display, Molex  |
| SQD442RWA | 4", 4-digit, 120vac, Red display, Molex   |
| SQD442RWB | 4", 4-digit, 24vac, Red display, Molex    |
| SQD442RWB | 4", 4-digit 220vac, Red display, Molex    |
| SQD462RWA | 4", 6-digit, 120vac, Red display, Molex   |
| SQD462RWB | 4", 6-digit, 24vac, Red display, Molex    |
| SQD462RWB | 4", 6-digit 220vac, Red display, Molex    |

**Note:** For green LED, change **R** in part number to **G**.

| Part #    | Description (Clock/Calendar)              |
|-----------|---|
| SQD2M2RWA | 2.5", 6-digit, 120vac, Red display, Molex |
| SQD2M2RWB | 2.5", 6-digit, 24vac, Red display, Molex  |
| SQD2M2RWB | 2.5", 6-digit 220vac, Red display, Molex  |
| SQD4M2RWA | 4", 6-digit, 120vac, Red display, Molex   |
| SQD4M2RWB | 4", 6-digit, 24vac, Red display, Molex    |
| SQD4M2RWB | 4", 6-digit 220vac, Red display, Molex    |

**Note:** For green LED, change **R** in part number to **G**.



4", 6-digit shown