

**TITLE: INSTALLATION INSTRUCTIONS 2.5" AND 4" 3-WIRE SYNCHRONOUS DIGITAL CLOCKS**

INSTRUCTION SHEET: INST-3-WIRE-DIG

REVISION: 01

EFFECTIVE: 04-01-2020

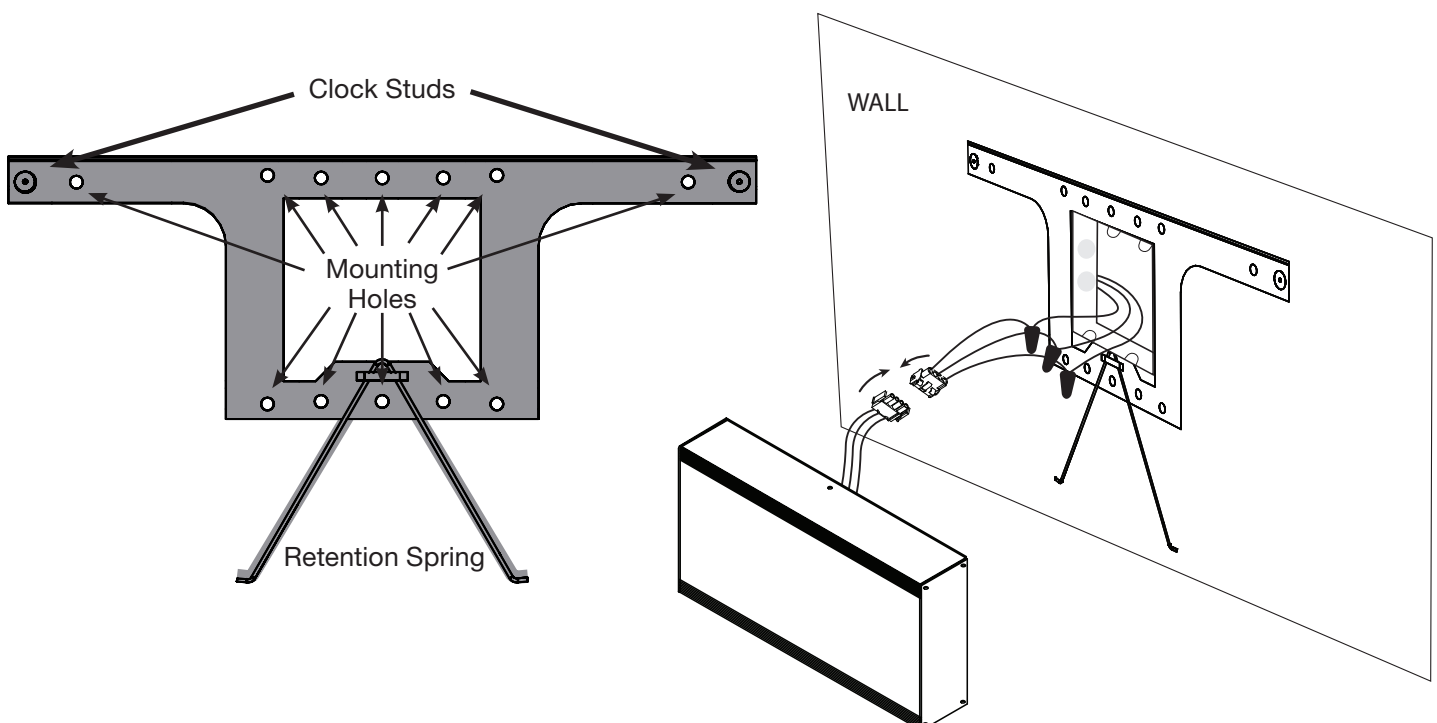
- Unpack carefully. Leave plastic protector on display face.
- Ensure power is not applied to the clock or the circuit on which the clock will be installed.
- Mounting: The clock will be supplied with a mounting bracket for wall mounting to a single, double, or foursquare gang box. See picture below.

**NOTE: If installing for use with a Elapsed Time Indicator and/or Code Blue control panel, clock must be installed within 30 feet of the planned panel location.**

• Wiring:

Connect the wall half of the supplied wiring harness to the facility wiring.

- Black (24, 120VAC line power)
- White (Neutral)
- Red (24 or 120VAC correction)
- Green (Ground)
- Mount hanger bracket to single, double, or foursquare gang box, or directly to the wall
- Make electrical connections (black to hot, white to neutral, red to correction, green to ground) for the Molex cable (not wired to the clock) to a non-switched electrical circuit using UL-approved wire nuts. Route field wiring away from sharp projections and corners. Join the wall and clock Molex connectors together.
- Seat the bracket spring in the channel on the bottom rail of the clock. Press up on the bottom of the clock and pivot the clock so the studs on the hanger enter the holes in the backplate, then release.
- Remove the protective film from the clock lens.



## Clock Setup:

- Apply power to clock.
- Upon clock startup, the clock should scroll the version number (example "UE- 1 2") unless the clock has been previously configured and the battery is not depleted. The battery backs up the internal clock for up to 10 years.
- The clock will then illuminate all the segments on the display to verify digit function, followed by a scrolling series of dashes and underscores.
- Once this is done, the clock will go to a time based off the battery-maintained internal real-time clock until it receives an hourly or 12-hour correction. Until it receives a 12-hour correction, the colons between the digits will flash. The clock may require up to 24 hours to correct.

If the clock does not correct after 24 hours or is otherwise not operating properly, contact American Time technicians at 800-328-8996 for assistance.

## Part number suffix reference

**A** (RSA/GSA) = 120VAC with Molex connector

**B** (RSB/GSB) = 24VAC with Molex connector

## Operation as a Standalone (non-corrective) Clock - 6-Digit Models Only

The 2.5" and 4" 6-digit 3-wire synchronous clocks can also function as a standalone clock, which can be set by use of the American Time Timer Control Station (sold separately).

With the UP/DOWN/CLOCK switch still in the CLOCK position:

- Set the SET/RUN switch to the SET position.
- The clock will now prompt for time. The hours digits will be flashing. Press the INCREMENT switch until the desired hour is shown and then press ENTER. The minutes digits will be flashing.
- Press the INCREMENT switch until the desired minutes are shown and then press ENTER. Press the INCREMENT switch again to set the desired seconds and then press ENTER.
- The display will flash *done*. Switch the SET/RUN switch back to RUN. When you want timekeeping to begin at the time you entered.

The clock will now keep time as a free running clock.

