



Digital 3-Wire Synchronous System Clock

American Time 3-wire digital clocks are accurate, versatile, and durable; whether adding on to an existing wired clock system or replacing clocks on a Cincinnati, Faraday, Latham, Simplex, or Stromberg 3-wire synchronous system. These clocks require nothing more than a simple electrical connection to integrate with the rest of your facility and provide precise, synchronized time. Housed in an anodized aluminum case, the sleek black finish of these digital clocks provides a modern, premium appearance that fits in anywhere. Surface mount clocks include a custom-designed hanger which allows for a secure installation to an electrical box while still permitting easy removal of the clock. For expanding or updating your 3-wire synchronous clock systems, there's nothing quite as reliable, precise, or versatile as these.

FEATURES

- Reception indicator
- Red or Green LED display
- Compatible with Clock Code 01
- Syncs to various master clocks using HH:57:54 (8-second hourly correction)/05:54:54 (14-second 12 hour correction) protocol
- Clock hanger for surface mount on wall



SPECIFICATIONS

Enclosure	Black anodized aluminum frame
Size	2.5" display: 4- & 6-digit - 12.25" x 5.1875" x 2.5"d 4" display: 4-digit - 12.25" x 6.875" x 2.5"d 4" display: 6-digit - 17.25" x 6.875" x 2.5"d
Weight	Varies by model
Visibility	2.5" digits—up to 125 feet; 4" digits—up to 200 feet
Daylight Saving Time Adjustment	Automatic from system controller
Display	Red or green, 7-segment LED
Time Accuracy	±1 second to system controller
Battery	Non-rechargeable coin-cell battery
Memory Retention	Up to 10 years from coin-cell battery
Operating Temperature	32° -104° F (0° -40° C)
Operating Humidity	0 to 95% non-condensing
Line Voltage	120VAC or 24VAC
Correction Circuit	120VAC – 4.9mA 24VAC – 0.85mA
Code Blue Circuit (optional, 6-digit)	3.0mA. max. @ 12VAC/VDC-30VAC/VDC
Warranty	3 Years

CERTIFICATIONS

- Electromagnetic Emissions
 - EN 55032:2012/AC:2013 Class B
 - FCC 15.107:2018 Class B
 - FCC 15.109:2018 Class B
 - ICES-003:2016 Class B

ORDER INFORMATION

Part #	Description
3WD241RSA	2.5", 4-digit, 120VAC, Red display, Molex
3WD241RSB	2.5", 4-digit, 24VAC, Red display, Molex
3WD261RSA	2.5", 6-digit, 120VAC, Red display, Molex
3WD261RSB	2.5", 6-digit, 24VAC, Red display, Molex
3WD441RSA	4", 4-digit, 120VAC, Red display, Molex
3WD441RSB	4", 4-digit, 24VAC, Red display, Molex
3WD461RSA	4", 6-digit, 120VAC, Red display, Molex
3WD461RSB	4", 6-digit, 24VAC, Red display, Molex

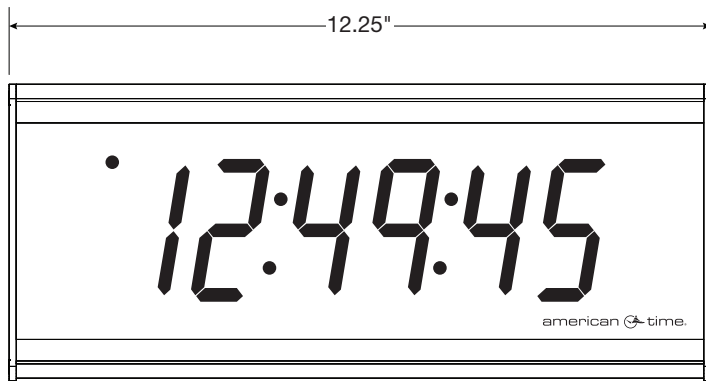
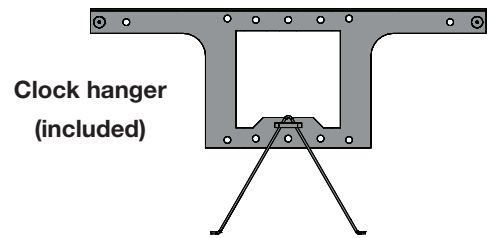
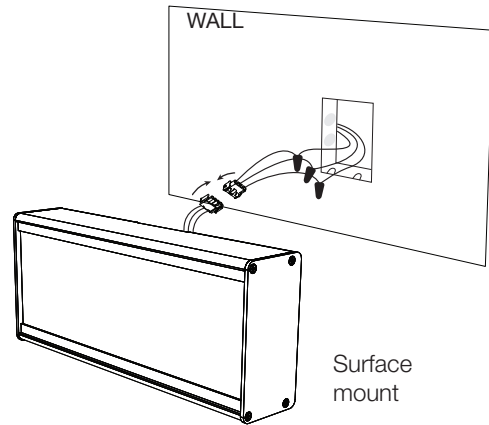
Note: See our website for other options, including Double-Face and Flush-Mounts.

ORDER INFORMATION

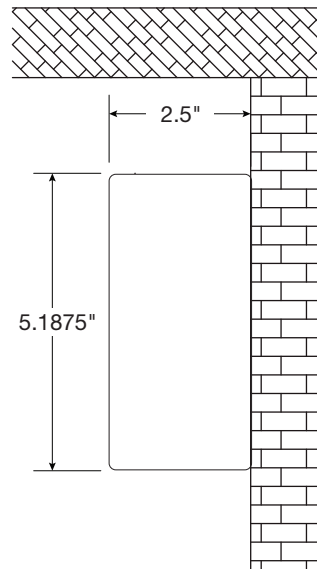
Part #	Description
3WD241GSA	2.5", 4-digit, 120VAC, Green display, Molex
3WD241GSB	2.5", 4-digit, 24VAC, Green display, Molex
3WD261GSA	2.5", 6-digit, 120VAC, Green display, Molex
3WD261GSB	2.5", 6-digit, 24VAC, Green display, Molex
3WD441GSA	4", 4-digit, 120VAC, Green display, Molex
3WD441GSB	4", 4-digit, 24VAC, Green display, Molex
3WD461GSA	4", 6-digit, 120VAC, Green display, Molex
3WD461GSB	4", 6-digit, 24VAC, Green display, Molex

POWER CONSUMPTION

			Red	Green
24VAC	2.5"	4-digit	202mA	140mA
		6-digit	271mA	179mA
	4"	4-digit	202mA	140mA
		6-digit	271mA	179mA
120VAC	2.5"	4-digit	59mA	47mA
		6-digit	77mA	52mA
	4"	4-digit	59mA	47mA
		6-digit	77mA	52mA
220VAC	2.5"	4-digit	55mA	4mA
		6-digit	mA	69mA
	4"	4-digit	82mA	65mA
		6-digit	98mA	69mA



2.5" display: 4- & 6-digit



Optional Timer Control Station



GENERAL INFORMATION

- Dimensions:.....4.63"h x 4.56"w x 1.25"d
- Weight0.27 lbs
- Distance of ATSTCS from clock:.....30' max. with 22 AWG stranded wire w/minimum 1/32" insulation
- Indications:.....2 second audible alarm (volume not adjustable)

DESCRIPTION

The American Time Elapsed Timer Control Station can be wired to any 6-digit surface or flush mount single dial clock for an up or down counting elapsed timer with an optional Code Blue trigger. The clocks can function as a stand-alone clock or can be wired as a 12-hour secondary clock for synchronous time. The Code Blue activation is ideal for hospital operating rooms, ICU's, CICU's, laboratories or wherever measuring time is important.

The control station contains an audible signal (volume not adjustable) which sounds for two seconds after the timer reaches the preset UP time or the DOWN counter reaches 00:00:00. The Code Blue feature provides an override, which forces the unit into a special count up elapsed time mode from 00:00:00. The Code Blue timer is the highest priority function of the clock while in the run mode. No matter which of the three normal functions is being displayed, the code blue input will cause the unit to begin counting elapsed time from 00:00:00. All other functions of the unit continue to operate in the background during a Code Blue.

Part #	Description
ATSTCS	Timer Control Station

