

## Digital 3-Wire Double-Face Clocks



Wall Mount



Ceiling Mount

### GENERAL INFORMATION

- Enclosure: ..... Black anodized aluminum frame
- Size:..... 2.5" display: 4- & 6-digit - 12.250" x 5.1875" x 5"d (without mounting bracket)  
4" display: 4-digit - 12.250" x 6.8750" x 5"d (without mounting bracket)  
4" display: 6-digit - 17.250" x 6.8750" x 5"d (without mounting bracket)
- Weight: ..... Varies by model
- Visibility: ..... 2.5" digits–up to 125 feet; 4" digits–up to 200 feet
- Daylight Saving Time Adjustment: ..... Automatic from master controller
- Display: ..... 7-segment LED
- Time Accuracy: ..... ±1 second to master controller
- Battery:..... Non-rechargeable coin-cell battery
- Memory Retention..... Up to 10 years from coin-cell battery
- Operating Temperature: ..... 32°-104° F (0°-40° C)
- Operating Humidity: ..... 0 to 95% non-condensing
- Line Voltage:..... 120VAC or 24VAC
- Current Consumption:..... see following
  - Clock Run Circuit: ..... 4-digit red, 120VAC – 97mA | 4-digit green, 120VAC – 69mA  
4-digit red, 24VAC – 372mA | 4-digit green, 24VAC – 296mA  
6-digit red, 120VAC – 125mA | 6-digit green, 120VAC – 74mA  
6-digit red, 24VAC – 505mA | 6-digit green, 24VAC – 324mA
  - Correction Circuit: ..... 120VAC – 4.9mA  
24VAC – 0.85mA
- Warranty: ..... 3 Years

### CERTIFICATIONS

- Electromagnetic Emissions ..... EN 55032:2012/AC:2013 Class B  
FCC 15.107:2018 Class B  
FCC 15.109:2018 Class B  
ICES-003:2016 Class B

### DESCRIPTION

American Time 3-wire digital clocks are accurate, versatile, and durable; whether adding on to an existing wired clock system, or replacing clocks on a Cincinnati, Faraday, Lathem, Simplex, or Stromberg 3-wire synchronous system, these clocks require nothing more than a simple electrical connection to integrate with the rest of your facility and provide precise, synchronized time. Housed in a durable anodized aluminum case, the sleek black finish of these digital clocks provides a modern, premium appearance that fits in anywhere. Double-faced clocks are available with either a wall or ceiling mount, each designed to interface with an electrical box, for high-visibility installations. For expanding or updating your 3-wire synchronous clock systems, there's nothing quite as reliable, precise, or versatile as these.

### FEATURES

- Reception indicator
- Red or Green LED display
- Syncs to various master clock protocols

### ORDER INFORMATION – CEILING MOUNT

#### Part # Description

3WD242RCA	2.5", 4-digit, 120VAC, Red display, Molex
3WD242RCB	2.5", 4-digit, 24VAC, Red display, Molex
3WD262RCA	2.5", 6-digit, 120VAC, Red display, Molex
3WD262RCB	2.5", 6-digit, 24VAC, Red display, Molex
3WD442RCA	4", 4-digit, 120VAC, Red display, Molex
3WD442RCB	4", 4-digit, 24VAC, Red display, Molex
3WD462RCA	4", 6-digit, 120VAC, Red display, Molex
3WD462RCB	4", 6-digit, 24VAC, Red display, Molex

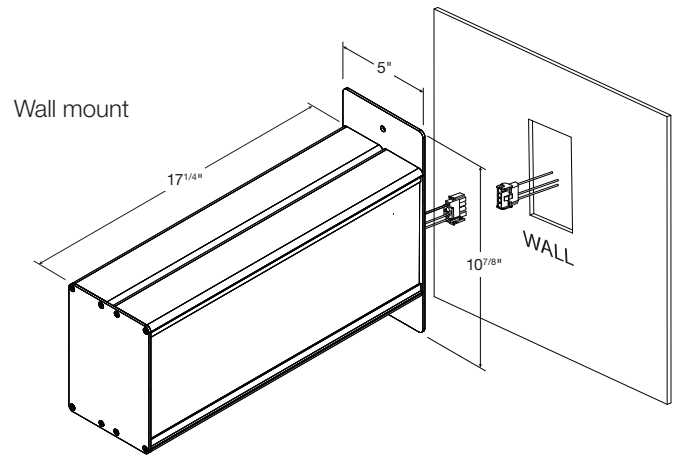
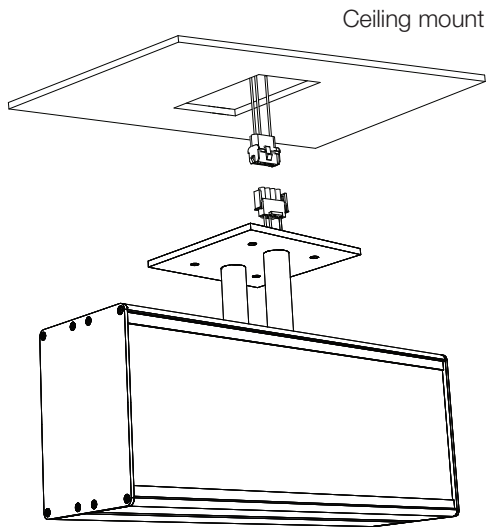
**Note:** For green LED, change **R** in part number to **G**.

### ORDER INFORMATION – WALL MOUNT

#### Part # Description

3WD242RWA	2.5", 4-digit, 120VAC, Red display, Molex
3WD242RWB	2.5", 4-digit, 24VAC, Red display, Molex
3WD262RWA	2.5", 6-digit, 120VAC, Red display, Molex
3WD262RWB	2.5", 6-digit, 24VAC, Red display, Molex
3WD442RWA	4", 4-digit, 120VAC, Red display, Molex
3WD442RWB	4", 4-digit, 24VAC, Red display, Molex
3WD462RWA	4", 6-digit, 120VAC, Red display, Molex
3WD462RWB	4", 6-digit, 24VAC, Red display, Molex

**Note:** For green LED, change **R** in part number to **G**.



4", 6-digit shown