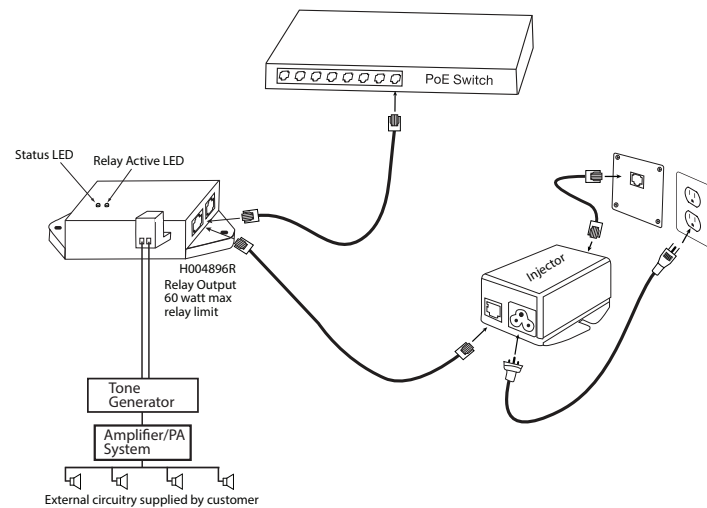
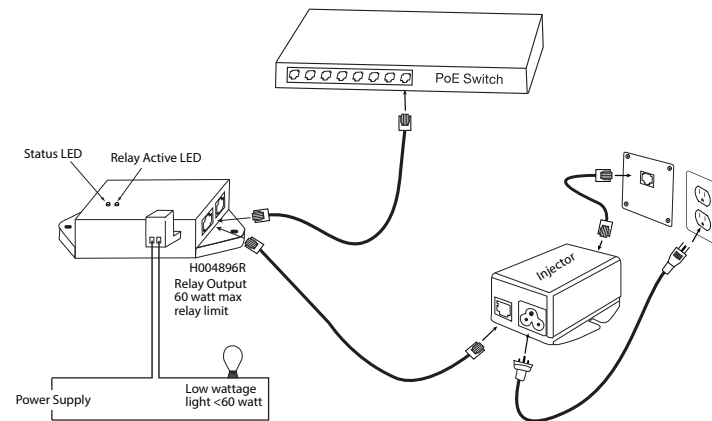


NOTE: Installation is dependent on the electrical specifications of the equipment being controlled. The H004896R relay is rated for a maximum of 2A at 30VDC or 0.5A at 120VAC. Controlling devices or systems with higher amperage requires use of a secondary relay with greater current capacity (as shown in the "Bells" example below).

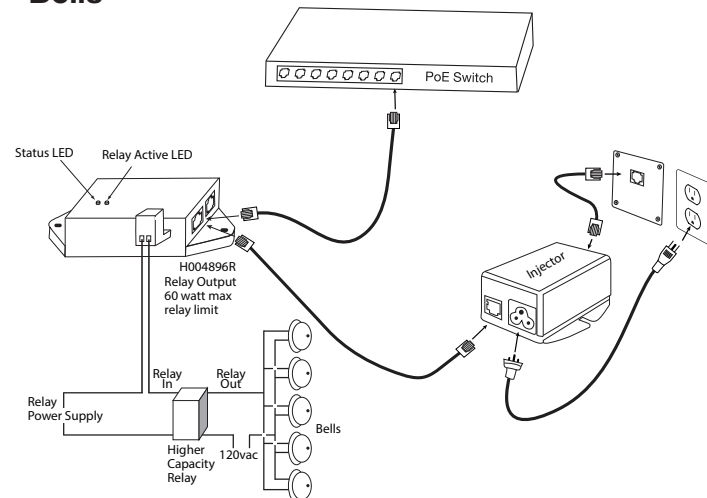
Tone Generator



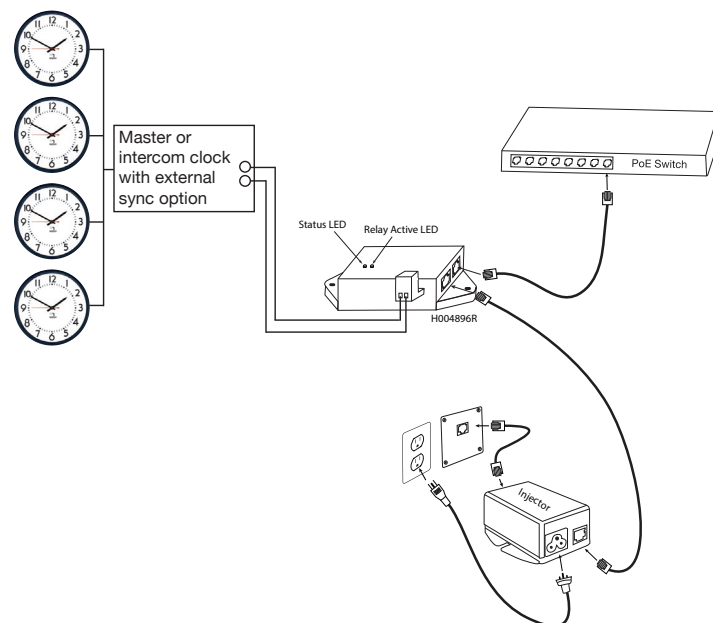
Lights



Bells



Clock Systems



H004896R Power over Ethernet (PoE) Relay



Please read this first!

If this is your first installation or you have questions at any time during this process, please call American Time toll free at **800-328-8996**.

1 Pre-Installation

1. Verify network infrastructure with Network Administrator.
 - Power over Ethernet (PoE) solution
 - Dynamic Host Configuration Protocol (DHCP) settings
 - Ports 53, 80, 123 and 443 are open
2. Plan PoE Relay locations and cabling routes

2 Unpack the box

- Remove the components from the box. Save the packing materials in case you need them later.

3 Check the contents

Your package contains:

- H004896R PoE Relay
- Quick Start Guide
- USB Drive (optional) with Network Clock Connect Software—Part #H004167B-POE

american  time.
Integrated Solutions

phone: 800-328-8996

online: american-time.com

fax: 800-789-1882

QUICK START INSTALLATION GUIDE

H004896R PoE RELAY

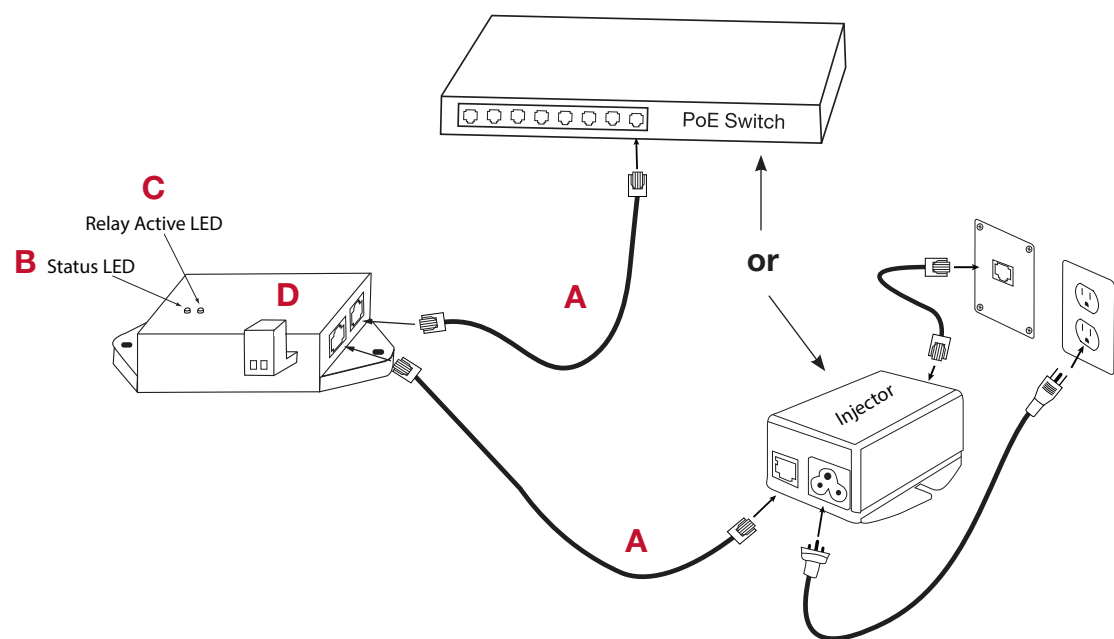
4 Set up the Relay

1. Apply power to the Relay by connecting a CAT 5 or higher Ethernet patch cable (A) from a PoE switch or single injector to the PoE Relay (D).
 - PoE Switch - Check with network administrator for infrastructure needs. This part is not supplied by American Time.
 - PoE Injector (TMA200) - This is an optional power source that may be purchased from American Time.
2. The Status LED (B) will indicate the relay's status as follows:
 - Flashing Orange: Acquiring an IP address using DHCP
 - Flashing Red: Attempting SNTP sync
 - Continuous Red: Failed SNTP sync
 - Continuous Green: Successful SNTP sync

Note: When a DHCP network is not present at initial start up, the PoE Relay will default to a random Static IP in the range of 169.254.1.0 to 169.254.254.255.

For more details reference the **PoE Analog and Global Series Digital Manual**.
Navigate to: [SUPPORT > PRODUCT DOCUMENTATION > select MANUAL > type PoE in searchbox > SEARCH](#) – Click on **PoE Analog and Global Series Digital Manual**.

3. The Relay LED (C) designates the Relay is enabled.



A=PoE connection (CAT 5 or higher Ethernet patch cable) B=Status LED C=Relay LED
D=H004896R Relay

5 Activating Relay to the inCloud Portal

(Note: for non-inCloud subscribers, see "Adjustments via Network Clock Connect" below.)

To easily activate your relay on the inCloud Management portal, download American Time's Network Clocks mobile app for Android devices (see QR code provided below).



Scan the QR code to the left to download the Network Clocks mobile app. The app allows you to quickly and easily set up clocks on inCloud.

Scan the QR code to the right to access the quickstart guide for the Network Clocks mobile app.



If relay must be activated using a computer, follow the steps listed below.

1. Navigate to the inCloud portal: incloud.american-time.com
Log in using the credentials supplied in the welcome e-mail from American Time.
2. Click on the green "Setup New" button in the PoE Devices bar on the Device List page.
This will open the Setup Network Device List, which will list all the devices assigned to your site by American Time.
3. Find the relay's MAC address and provide a Title and (if desired) description for the relay. Repeat this for each device in the list which you want to set up.
 - The MAC address can be searched using the last five characters of the address including the colon (for example, AA:11) in the search bar.
4. The relay will remain in a semi-activated state until they report in to the portal. As long as the relays have not yet been powered up, this should occur once power is connected. Otherwise, this may take up to 15 minutes to occur.

If relays cannot be activated prior to installation/power-up:

- Follow the same process outlined in this instruction sheet. After activation, relays will appear as partially activated in the Device List until they communicate with inCloud fully; this may take up to 24 hours, but relays will function normally until that occurs.
- If immediate connection is desired, removing and then reconnecting power to the relays will command them to communicate with inCloud immediately. This must be performed with each relay if desired.

6 Adjustments via Network Clock Connect (for non-inCloud users)

1. Download **Network Clock Connect**. Find it online: american-time.com
Navigate to: [SUPPORT > PRODUCT DOCUMENTATION > select FIRMWARE > SEARCH](#)
Click on **Network Clock Connect**.
The software will automatically download. It is also available from the optional USB Drive (H004167B-POE, purchased separately).
2. Install Network Clock Connect application – Password = clock4u (default)
3. Network Clock Connect will allow you to configure:
 - Network address settings
 - Time Synchronization settings
 - Daylight Saving Time settings
 - Schedules (Buzzer clocks) - maximum of 100 scheduled events

For more details, reference the **PoE Analog and Global Series Digital Manual**.