



AllSet® Electric Clocks Molded Case

AllSet auto daylight saving time electric clocks are ideal for schools, hospitals, state and federal buildings. Clocks are provided in a round high-impact black plastic case with shatter-resistant safety crystal and bold, black numerals and minute markers on a non-yellowing white dial. Stylish hour and minute hands are aluminum with a black finish and a red sweep hand. Optional bezel colors available in 12 inch models.



FEATURES

- 3 Year Warranty
- Automatic adjustment for Daylight Saving Time
- Impact-resistant plastic case, with built-in hanger
- Shatter-resistant polycarbonate crystal
- Sweep second hand
- Double dial mounting available
- 120vac

SPECIFICATIONS

Operating voltage	120vac
Input voltage range	100V-240V, 50/60Hz, max of 0.8A
Operating temp range	23°F to 122°F (-5°C to +50°C)
Accuracy	±1 Sec/Day (at 1.5V)
Nominal torque at 1.5vdc	2.0 g/cm @ second shaft

DESCRIPTION

The AllSet clock movement features a microchip with an internal battery that keeps track of the current date and time. The microchip is programmed to make daylight saving time changes at 3:00 am Eastern, 2:00 am Central, 1:00 am Mountain, and 12:00 am Pacific time twice per year. In the Spring, the movement will move the hands forward one hour at an accelerated speed. In the Fall, the movement will fast forward the hands and start ticking again when the clock is on time; adjusting back to standard time.

Clocks use a quartz-based movement with AC dongle adapter, which operates from 120vac, for years of maintenance-free clock operation.

Note: Time must be manually set at startup and after replacing the batteries. Internal time/date is only used for moving hands for DST changes.

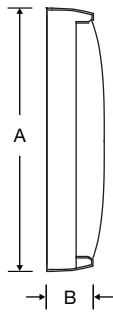
ORDERING INFORMATION

BLACK MOLDED PLASTIC CASE – ROUND

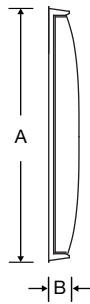
Part #	Description	Dia.	Depth
E46BAAV304	10" Surface Mount, Dial Style 04	10 ³ / ₈ "	2 ¹ / ₂ "
E45BAAV?04	10" Flush Mount, Dial Style 04	10 ³ / ₈ "	2"
E56BAAV304	12" Surface Mount, Dial Style 04	13 ¹ / ₄ "	2 ¹ / ₂ "
E55BAAV?04	12" Flush Mount, Dial Style 04	13 ¹ / ₄ "	2"
E93BAAV204	12" Double Dial Wall Mount, Dial Style 04	13 ¹ / ₄ "	8 ⁵ / ₈ "
E92BAAV204	12" Double Dial Ceiling Mount, Dial Style 04	13 ¹ / ₄ "	8 ⁵ / ₈ "
E66BAAV304	15" Surface Mount, Dial Style 04	16"	2 ¹ / ₂ "
E65BAAV?04	15" Flush Mount, Dial Style 04	16"	2"
E63BAAV204	15" Double Dial Wall Mount, Dial Style 04	16"	8 ⁵ / ₈ "
E62BAAV204	15" Double Dial Ceiling Mount, Dial Style 04	16"	8 ⁵ / ₈ "

Notes: For 12" clocks, change the case color by replacing BA (black) in the part number to WA (white) or NA (brown). Double dials available in black only. Change the 04 in Model # to change the dial style. Batteries not included. If flush mounting in an existing backbox, change the ? in the Model No. to specify correct hanger type from the key: **1**=National Time **5**=Simplex®, Dukane, Lathem **6**=Cincinnati/Edwards, Faraday, Honeywell **8**=Standard® Electric

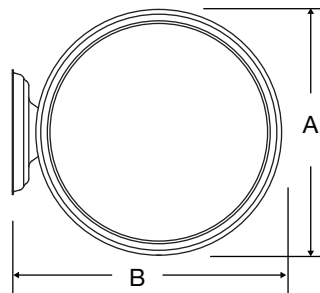
Surface mount plastic



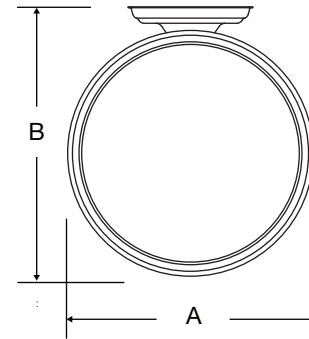
Flush mount plastic



Wall mount plastic double dial



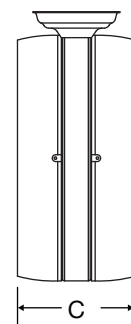
Ceiling mount plastic double dial



OUTSIDE DIMENSIONS

SIZE	A	B	C
Surface			
12"	13 ¹ / ₄ "	2 ¹ / ₂ "	NA
15"	16"	2 ¹ / ₂ "	NA
Flush			
12"	13 ¹ / ₄ "	2"	NA
Double Dial			
12"	13 ¹ / ₄ "	15"	8 ⁵ / ₈ "
15"	16"	19 ¹ / ₄ "	8 ⁵ / ₈ "

Plastic double dial profile



At American Time, we continually strive to improve our products to meet our customers' needs and to provide the best possible value. The above specifications are believed to be correct, are subject to change without notice and may otherwise vary from the above. Please call if you need verification of any specifications or the suitability of a particular product for a particular application.

© American Time