



Wi-Fi Indoor Horn



The American Time Wi-Fi Horn is an indoor device managed through the inCloud Management Portal. This horn is triggered by programmed events in the inCloud schedule dashboard.

FEATURES

- 2 Year Warranty
- Schedule with inCloud Management Portal
- Adjustable volume

SPECIFICATIONS

Dimensions	10"h x 7"w x 5.1"d
Weight	4.5 lbs.
Power options	120VAC/240VAC, 0.1A, 50-60 Hz (hard wired)
Operating temperature	14° to 140 °F (-10° -60 °C)
Humidity	0%-95% Non-condensing
Horn volume	78 dB to 103 dB at 10' (volume adjustable)
Wi-Fi	802.11n (802.11b/g compatible, 2.4 GHz only)
Supported data rates	72, 65, 43, 29, 22, 14, 7 Mbps (802.11n) 54, 48, 36, 24, 18, 12, 9, 6 Mbps (802.11g) 11, 5.5, 2, 1 Mbps (802.11b)
Security protocols	WEP, WPA/WPA2 and Enterprise (PEAPv0-MSCHAPv2)
Configuration	Devices are pre-configured for plug-n-play installation (standard) or individually configured via Network Clock Setup App, or Wi-Fi client through web page interface. Supports DHCP or static IP addressing.
Front panel indicator	Red, orange and green LED indicates mode status
Antenna type	Internal
Management & Scheduling	inCloud management portal (Only through subscription)

ORDER INFORMATION

Part #	Description
H005194	Wi-Fi Horn with Molex connector



inCloud Management Portal Event Scheduling

Strobes are Auxiliary Wi-Fi devices that are activated on the inCloud Management Portal. They are programmed by creating an event through the Schedule Dashboard and selected by group selection (Zones) or individually.



EDIT EVENT Duplicate Delete

ZONES:

- All
- Third Floor Devices

NETWORK DEVICES:

- All
- Horn1
- Horn 2

TITLE:

EVENT START TIME:

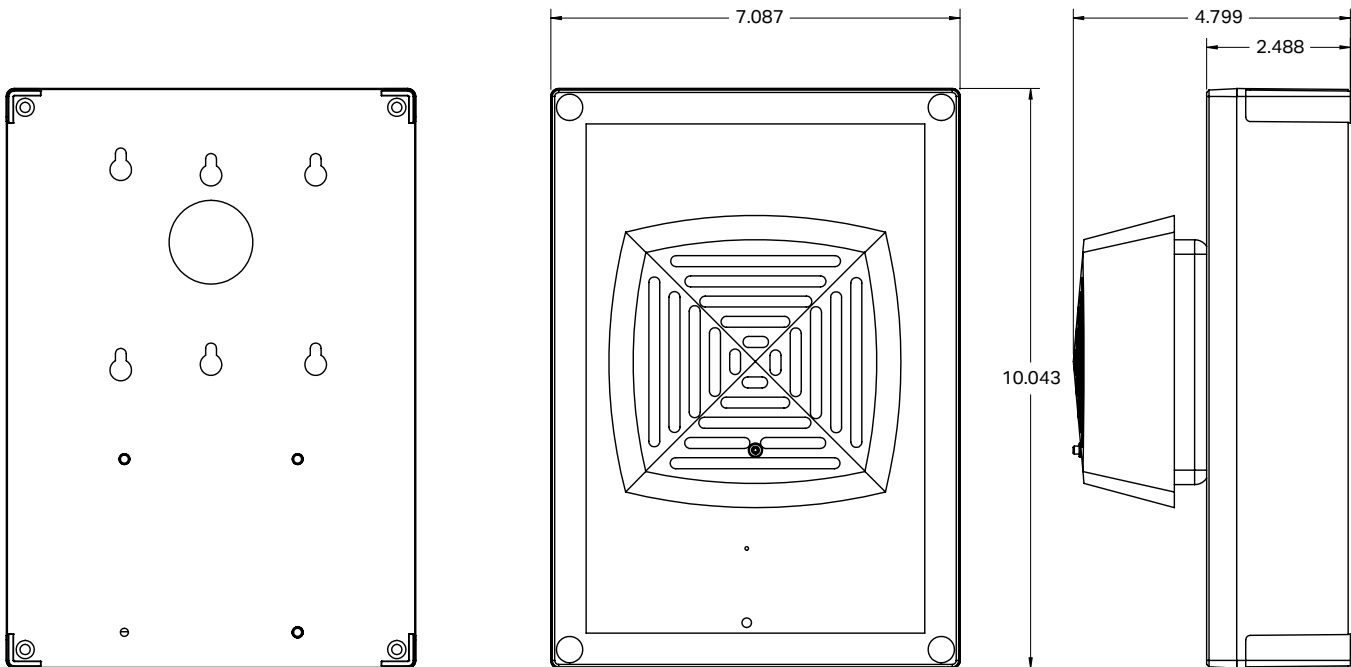
BUZZER/RELAY DURATION:

Save Cancel

While there is no limit to the number of events you may schedule, when filtered an individual device is limited to a maximum of 50 events per day.

Mounting

The Wi-Fi Indoor Horn is easily mounted to a wall using the six keyhole openings on the back of the enclosure.



At American Time, we continually strive to improve our products to meet our customers' needs and to provide the best possible value. The above specifications are believed to be correct, are subject to change without notice and may otherwise vary from the above. Please call if you need verification of any specifications or the suitability of a particular product for a particular application. © American Time