

55" TV Guard Installation Guide



Please read this first!

If you have questions at any time during this process, please call American Time toll free at **800-328-8996**.

1 Pre-Installation

1. Verify that the mounted TV will be tight enough against the wall for the protective guard to clear. The maximum guard depth is 8.875".
2. Verify that any existing TV wiring will either be within the confines of the guard or be rerouted through one of the conduit knockouts on the top or bottom of the guard.

IMPORTANT: DO NOT MODIFY THE GUARD RAILS TO ACCOMMODATE EXISTING CONDUIT. Any existing conduit should be rerouted as necessary by an electrician.

2 Unpack the boxes and check the contents

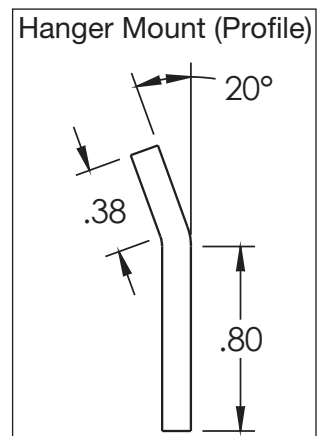
1. Hardware Kit
 - A. Top/Bottom Rails (2)
 - B. Side Rails (2)
 - C. 8-32 x 3/8" Phillips Screws (22)
 - D. 36" Aluminum Hanger Mount
2. Polycarbonate Lens

NOTE: Hardware for mounting the hanger mount or guard to the wall is not included. Use a minimum of two appropriate fasteners for the type of wall.

3 Hanger Mount Installation

(Note: Using the hanger mount is recommended for ease of installation, but the assembled guard can be installed directly to the wall by screwing through the wall mounting holes on the rear of the top/bottom rails.)

1. Determine the location of the hanger mount on the wall. The center hole should align with the centerline of the display. Note that the bottom edge of the guard top rail will sit approximately 3/4" above the screw holes on the hanger mount after installation (see profile drawing).
2. Ensure the hanger is level and in the desired location, and install with a minimum of two screws. Note that mounting hardware is not included; use appropriate fasteners for the type of wall.

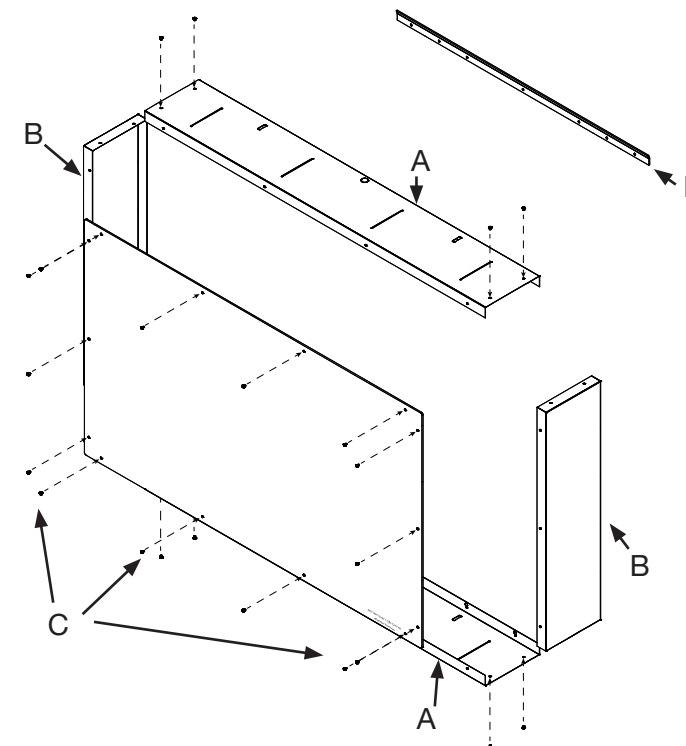


4 Protective Guard Assembly

1. Nest one of the top/bottom rails (A) inside one of the side rails (B) as shown and install with two of the 8-32 x 3/8" screws (C).
2. Attach the other top/bottom rail (A) inside the opposite end of the same side rail (B) and attach with two screws (C). NOTE: Ensure the lens mounting holes and wall mounting holes are aligned in the same direction as with the rail installed in step 1.
3. Seat the other side rail (B) over both ends of the top and bottom rails (A) and attach with four screws (C).
4. With the lens mounting holes facing up on the guard assembly, place the polycarbonate lens on the face of the guard assembly. Ensure the American Time sticker is in the bottom right corner and is correctly oriented.
5. Install the polycarbonate lens with the remaining 14 screws.

- A: Top/Bottom Rails (2)
B: Side Rails (2)
C: Screws (22)
D: Hanger Mount

(see opposite side for larger diagram)



5 Hanging the Guard

1. Lift the guard into place, sliding the back edge of the top rail over the lip on the hanger mount (D). If not using the hanger mount, determine the appropriate guard location, ensure the guard is level, and attach directly to the wall by screwing through the wall mounting holes (Note: If necessary, once the guard is in place, the polycarbonate lens can be removed to improve access to the inside of the guard.)
2. If necessary, route any wiring necessary through the conduit knockouts on the top/bottom of the guard and install fittings as needed.
3. Install and connect TV (if not already in place).
4. If desired, anchor the guard in place by screwing through the wall mounting hole on the bottom of the guard.

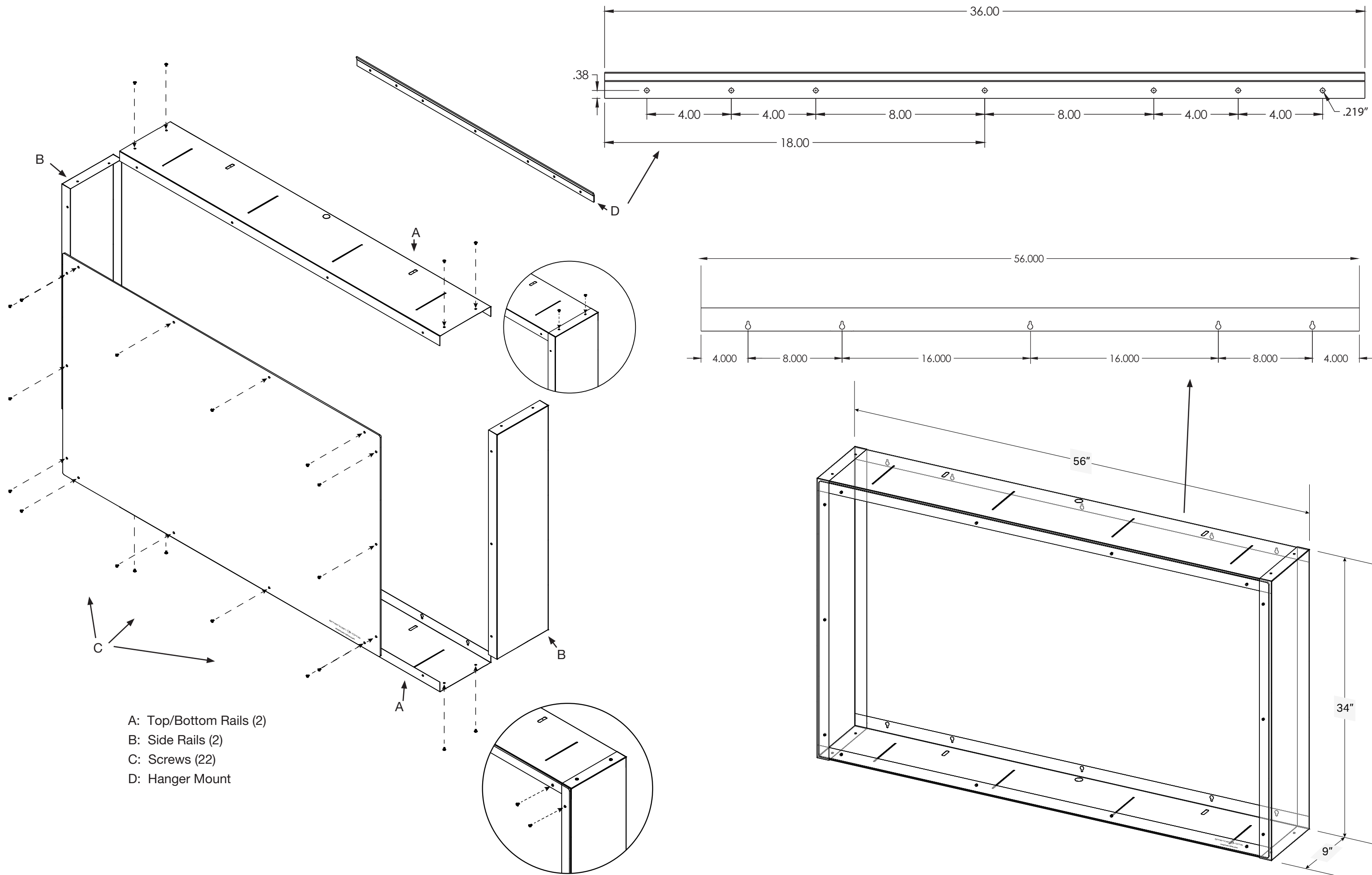


phone: 800-328-8996

online: american-time.com

fax: 800-789-1882

mail: 140 3rd St. So.; PO Box 707, Dassel, MN 55325-0707



- A: Top/Bottom Rails (2)
- B: Side Rails (2)
- C: Screws (22)
- D: Hanger Mount