

55" TV Guard

GENERAL INFORMATION

PN: G56349

Outside Dimensions:56" W x 34" H x 9" D

Guard Weight (Assembled):35lb

Shipping Weight:52lb

Enclosure Material:20ga (.0359") steel

Enclosure Finish:Black textured powdercoat

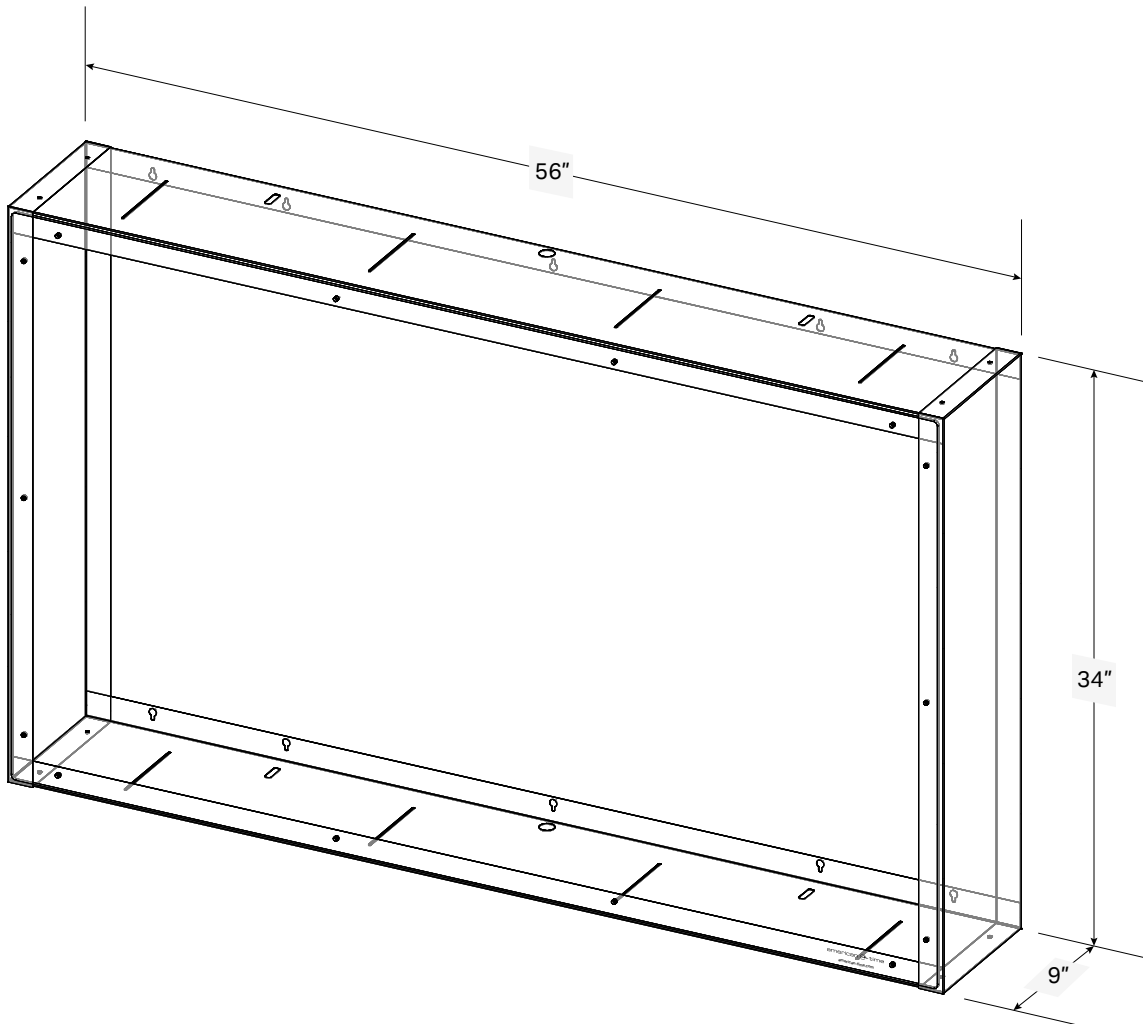
Lens Material:Polycarbonate

Lens Thickness:0.177"

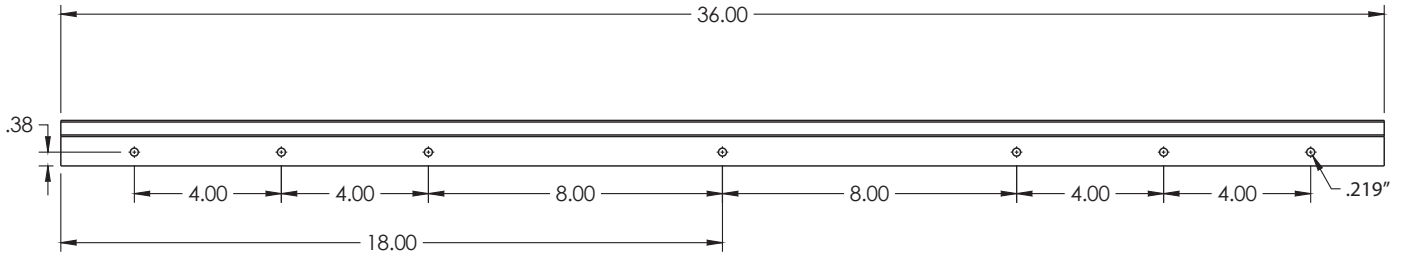
Included Hardware:Wall hanger, assembly screws



The American Time® 55" TV Guard is a durable, long-lasting, and cost-effective way to keep your large-format TVs, LCD panels, and other displays in the 55" class protected from accidental damage, vandalism, and tampering. With a simple and straightforward assembly process, the 55" TV Guard can be installed easily over existing displays, while the integral wiring/conduit knockouts make it simple to place the guard as part of a new installation. Vents on the top and bottom rails ensure efficient temperature management within the guard.



Wall Hanger Dimensions



Rail Keyhole Dimensions

