

AC-DC 1.5V Adapter Kit Instructions for AllSet and Silent Sweep Movements

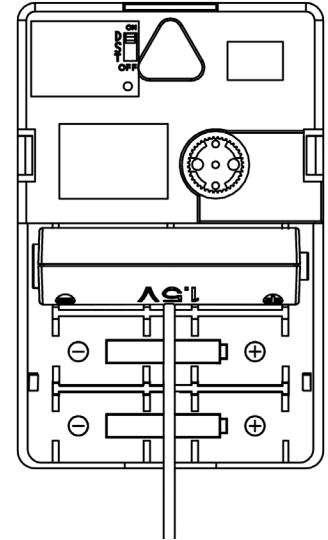
INSTRUCTION SHEET: 3275

REVISION: 01

EFFECTIVE: 04-05-22

ALLSET CLOCKS

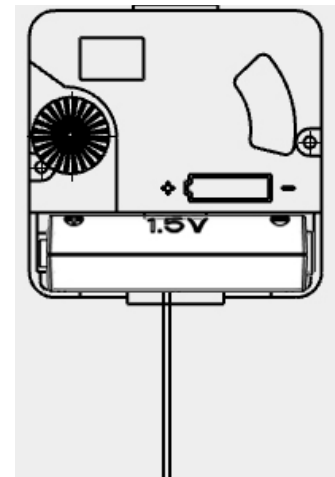
1. Install the dummy battery in one of the slots in the battery compartment of the movement.
NOTE: Make sure to observe the proper polarity of the dummy battery in the battery compartment when installing. The correct battery orientation is clearly marked (+/-) in the battery compartment.
2. Set the movement to the correct time using the set knob on the back of the movement.
3. Set the DST switch to "ON" if Daylight Saving Time is observed in your location. The movement will automatically adjust for DST at the proper times.
4. Plug the cord into a 120VAC outlet.



IMPORTANT: DO NOT ADD BATTERIES in addition to using the AC adapter. Damage to the batteries and movement will occur.

STEPPER MOVEMENT CLOCKS

1. Install the dummy battery in the battery compartment of the movement.
NOTE: Make sure to observe the proper polarity of the dummy battery in the battery compartment when installing. The correct battery orientation is clearly marked (+/-) in the battery compartment.
2. Set the movement to the correct time using the set knob on the back of the movement.
3. Plug the cord into a 120VAC outlet.



SILENT MOVEMENT CLOCKS

1. Install the dummy battery in the battery compartment of the movement.
NOTE: Make sure to observe the proper polarity of the dummy battery in the battery compartment when installing. The correct battery orientation is clearly marked (+/-) in the battery compartment.
2. Set the movement to the correct time using the set knob on the back of the movement.
3. Plug the cord into a 120VAC outlet.

