



# AllSet® Battery Clocks Molded Case

AllSet battery clocks are ideal for schools, hospitals, state and federal buildings. Clocks are provided in a round high-impact black plastic case with shatter-resistant safety crystal and bold, black numerals and minute markers on a non-yellowing white dial. Stylish hour and minute hands are aluminum with a black finish and a red sweep hand. Optional bezel colors available.

## FEATURES

- 3 Year Warranty
- Automatic adjustment for Daylight Saving Time
- Impact-resistant plastic case, with built-in hanger
- Shatter-resistant polycarbonate crystal
- Sweep second hand
- Double dial mounting available
- 3 AA battery holder

## SPECIFICATIONS

Operating voltage	1.5vdc
Operating voltage range	1.3 to 1.7vdc
Operating temp range	23°F to 122°F (-5°C to +50°C)
Accuracy typical	±1 Sec/Day (at 1.5V)
Nominal torque at 1.5vdc	2.0 g/cm @ second shaft

## DESCRIPTION

The AllSet quartz clock movement features a microchip with an internal battery that keeps track of the current date and time. The microchip is programmed to make daylight saving time changes at 03:00 am Eastern, 02:00 am Central, 01:00 am Mountain, and 12:00 am Pacific time twice per year. In the Spring, the movement will move the hands forward one hour at an accelerated speed. In the Fall, the movement will fast forward the hands and start ticking again when the clock is on time; adjusting back to standard time.

Clocks use a quartz-based battery movement which uses 3 AA alkaline batteries to extend maintenance-free clock operating life up to 4 years.

**Note:** Time must be manually set at startup and after replacing the batteries. Internal time/date is only used for moving hands for DST changes.



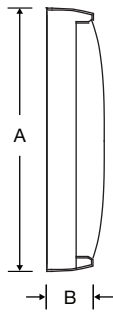
## ORDERING INFORMATION

### BLACK MOLDED PLASTIC CASE – ROUND

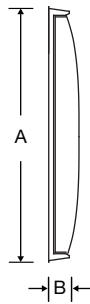
Part #	Description	Dia.	Depth
E46BAQD304	10" Surface Mount, Dial Style 04	10 <sup>3</sup> / <sub>8</sub> "	2 <sup>1</sup> / <sub>2</sub> "
E45BAQD?04	10" Flush Mount, Dial Style 04	10 <sup>3</sup> / <sub>8</sub> "	2"
E56BAQD304	12" Surface Mount, Dial Style 04	13 <sup>1</sup> / <sub>4</sub> "	2 <sup>1</sup> / <sub>2</sub> "
E55BAQD?04	12" Flush Mount, Dial Style 04	13 <sup>1</sup> / <sub>4</sub> "	2"
E93BAQD204	12" Double Dial Wall Mount, Dial Style 04	13 <sup>1</sup> / <sub>4</sub> "	8 <sup>5</sup> / <sub>8</sub> "
E92BAQD204	12" Double Dial Ceiling Mount, Dial Style 04	13 <sup>1</sup> / <sub>4</sub> "	8 <sup>5</sup> / <sub>8</sub> "
E66BAQD304	15" Surface Mount, Dial Style 04	16"	2 <sup>1</sup> / <sub>2</sub> "
E65BAQD?04	15" Flush Mount, Dial Style 04	16"	2"
E63BAQD204	15" Double Dial Wall Mount, Dial Style 04	16"	8 <sup>5</sup> / <sub>8</sub> "
E62BAQD204	15" Double Dial Ceiling Mount, Dial Style 04	16"	8 <sup>5</sup> / <sub>8</sub> "

**Notes:** For 12" clocks, change the case color by replacing BA (black) in the part number to WA (white) or NA (brown). Double dials available in black only. Change the 04 in Model # to change the dial style. \*Batteries not included. If flush mounting in an existing backbox, change the ? in the Model No. to specify correct hanger type from the key: **1**=National Time **5**=Simplex®, Dukane, Lathem **6**=Cincinnati/Edwards, Faraday, Honeywell **8**=Standard® Electric

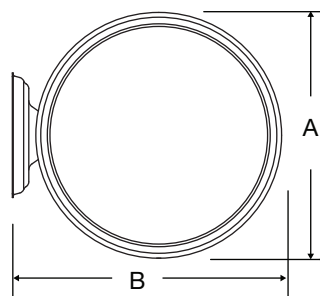
Surface mount plastic



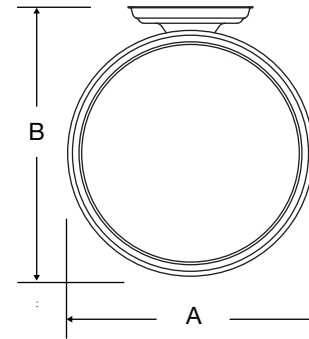
Flush mount plastic



Wall mount plastic double dial



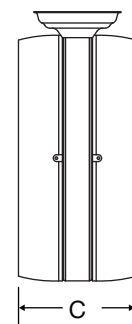
Ceiling mount plastic double dial



### OUTSIDE DIMENSIONS

SIZE	A	B	C
<b>Surface</b>			
12"	13 <sup>1</sup> / <sub>4</sub> "	2 <sup>1</sup> / <sub>2</sub> "	NA
15"	16"	2 <sup>1</sup> / <sub>2</sub> "	NA
<b>Flush</b>			
12"	13 <sup>1</sup> / <sub>4</sub> "	2"	NA
<b>Double Dial</b>			
12"	13 <sup>1</sup> / <sub>4</sub> "	15"	8 <sup>5</sup> / <sub>8</sub> "
15"	16"	19 <sup>1</sup> / <sub>4</sub> "	8 <sup>5</sup> / <sub>8</sub> "

Plastic double dial profile



At American Time, we continually strive to improve our products to meet our customers' needs and to provide the best possible value. The above specifications are believed to be correct, are subject to change without notice and may otherwise vary from the above. Please call if you need verification of any specifications or the suitability of a particular product for a particular application.

© American Time