



# Wireless Analog Steel Case Clocks Electric



## FEATURES

- 3 Year Warranty
- Wireless time synchronization
- Ultra-sensitive UHF receiver for facility-wide reception
- Automatic Daylight Saving Time adjustment
- Durable steel case
- Surface clocks include a security bracket
- Up to one hour of continued operation during power outages

## SPECIFICATIONS

Clock hour & minute hands	Black
Clock second hand	Red
Power	120/240vac or 24vac, 50/60 Hz
Remote Receiver	Option for rooms shielded from radio frequencies, such as hospital X-ray rooms.  This option uses common RJ11 jacks to terminate both ends of the included 50 foot cable separating the receiver unit from the clock.
Input Voltage Range	120vac/240vac (10v to 240v) 24vac (15v to 30v)
Current draw	5mA (120vac) 3mA (240vac) >80mA (24vac)
Plug	120vac/240vac - 10A 125v 2 prong polarized plug, 6 ft. cord 24vac - 4 position Molex® connector
Rear panel indicator	Red LED indicates receiver is synchronizing to master time Green LED indicates power applied
Receiver sensitivity	10uV per meter
Antenna type	External
Time to synchronize	Initial sync time is 5-10 minutes
Time accuracy	±1 second to SiteSync IQ® Master Clock
Reset button	Press for 5 seconds to force time sync
Operating temperature	41°F to 131°F
Storage temperature	41°F to 131°F
Relative humidity	0% - 95% Non-condensing



## ORDERING INFORMATION

Part #	Description	Part #	Description
SQ44BHAD904	10" Round, surface mount, 120/240vac	SQ44BHBD904	10" Round, surface mount, 24vac
SQ45BHAD?04	10" Round, flush mount, 120/240vac	SQ45BHBD?04	10" Round, flush mount, 24vac
SQ54BHAD904	12" Round, surface mount, 120/240vac	SQ54BHBD904	12" Round, surface mount, 24vac
SQ55BHAD?04	12" Round, flush mount, 120/240vac	SQ55BHBD?04	12" Round, flush mount, 24vac
SQ57BGAD904	12" Square, surface mount, 120/240vac	SQ57BGBD904	12" Square, surface mount, 24vac
SQ58BGAD?04	12" Square, flush mount, 120/240vac	SQ58BGBD?04	12" Square, flush mount, 24vac
SQ53BHAD204	12" Round, double dial, wall mount, 120/240vac	SQ53BHBD204	12" Round, double dial, wall mount, 24vac
SQ52BHAD204	12" Round, double dial, ceiling mount, 120/240vac	SQ52BHBD204	12" Round, double dial, ceiling mount, 24vac
SQ64BGAD904	15" Round, surface mount, 120/240vac	SQ64BGBD904	15" Round, surface mount, 24vac
SQ65BGAD?04	15" Round, flush mount, 120/240vac	SQ65BGBD?04	15" Round, flush mount, 24vac
SQ63BGAD204	15" Round, double dial wall mount, 120/240vac	SQ63BGBD204	15" Round, double dial, wall mount, 24vac
SQ62BGAD204	15" Round, double dial ceiling mount, 120/240vac	SQ62BGBD204	15" Round, double dial, ceiling mount, 24vac

Other dial styles available. Change the 04 in the part number to change the dial style.

**Note:** Personalized dial option available. Add L to the end of the part number. Contact us for details.

**Note:** Replace the BH in the part # with GH for gray bezel finish or WG for white. See color swatches.

**Note:** For polymer lens on 10" and 12" round clocks, replace the BH in the part # with the 2 letter code for the bezel finish. Additional cost.  
BG=Black Sand with polymer lens. GG=Steel Gray with polymer lens.

**Note:** If flush mounting in an existing backbox, change the ? in the Part # to specify correct hanger type from the key:  
1=National Time 5=Simplex®, Dukane, Lathem 6=Cincinnati, Edwards, Faraday, Honeywell 8=Standard™ Electric

**Note:** Add L to the end of the Part # for personalized dial option  
Add RT to the end of Part # for the 25' remote receiver option  
Add RF to the end of Part # for the 50' remote receiver option  
Add Y to the end of the Part # for special frequency.  
Add X to the end of the Part # for special options.  
Contact Customer Service for details: **800-328-8996**.

**Note:** These clocks are intended for use with a SiteSync IQ Wireless Clock System.

### Bezel Finishes



## OUTSIDE DIMENSIONS

### ROUND

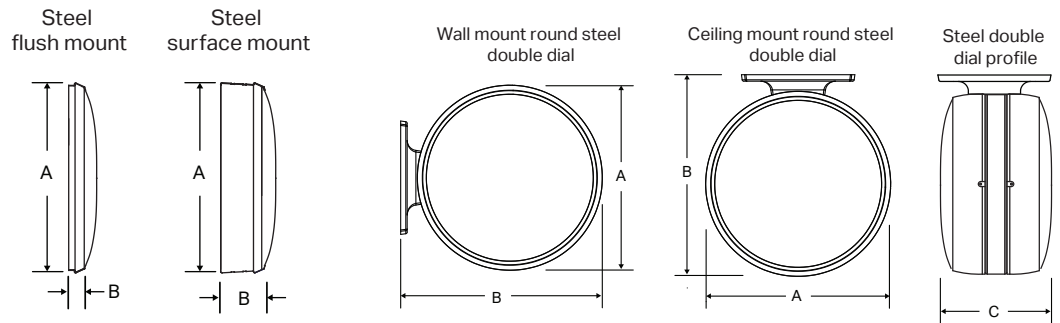
**"A":**  
11<sup>1</sup>/<sub>4</sub>" for 10" clocks  
13<sup>1</sup>/<sub>4</sub>" for 12" clocks  
16<sup>1</sup>/<sub>4</sub>" for 15" clocks

**"B" Surface:**  
2<sup>1</sup>/<sub>4</sub>" for all clocks

**"B" Flush:**  
1<sup>5</sup>/<sub>8</sub>" for all clocks

**"B" Double dial:**  
14<sup>3</sup>/<sub>8</sub>" for 12" clocks  
17<sup>1</sup>/<sub>8</sub>" for 12" clocks

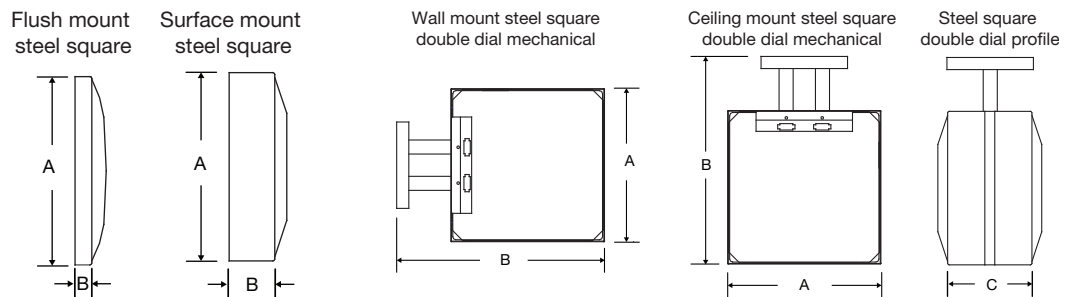
**"C" Double dial:**  
8" for 12" & 15" clocks



## OUTSIDE DIMENSIONS

### 12" SQUARE

**"A"** 12<sup>5</sup>/<sub>8</sub>"  
**"B" Surface:** 3<sup>1</sup>/<sub>8</sub>"  
**"B" Flush:** 1<sup>1</sup>/<sub>8</sub>"  
**"B" Double dial:** 17<sup>1</sup>/<sub>8</sub>"  
**"C" Double dial:** 6<sup>5</sup>/<sub>8</sub>"



At American Time, we continually strive to improve our products to meet our customers' needs and to provide the best possible value. The above specifications are believed to be correct, are subject to change without notice and may otherwise vary from the above. Please call if you need verification of any specifications or the suitability of a particular product for a particular application.

© American Time