

ALLSYNC ANALOG STEEL DOUBLE-DIAL CLOCK INSTALLATION

INSTRUCTION SHEET: INST-DDA-ASYNC

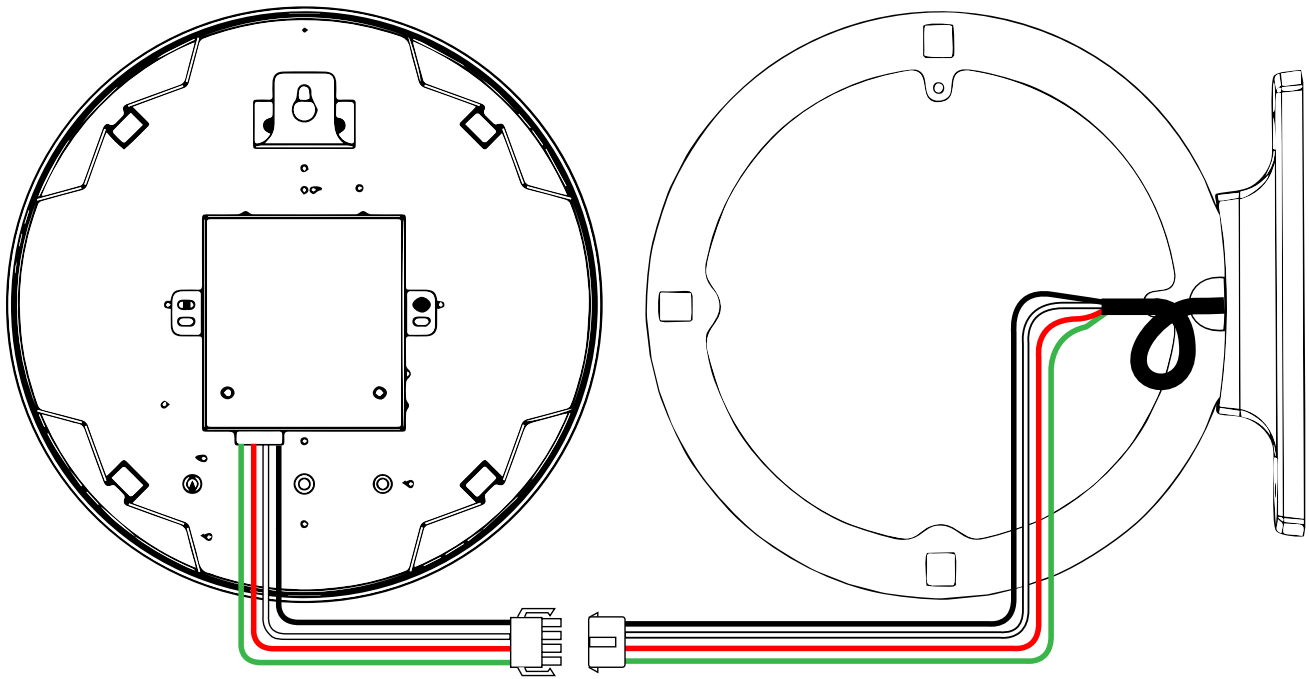
REVISION: # 1

EFFECTIVE: 09-25-2024

IMPORTANT: If the double-dial ring has not already been mounted, refer to the instructions provided in the double-dial ring kit for mounting the ring, then return to these instructions to mount the clocks.

CONNECTING POWER

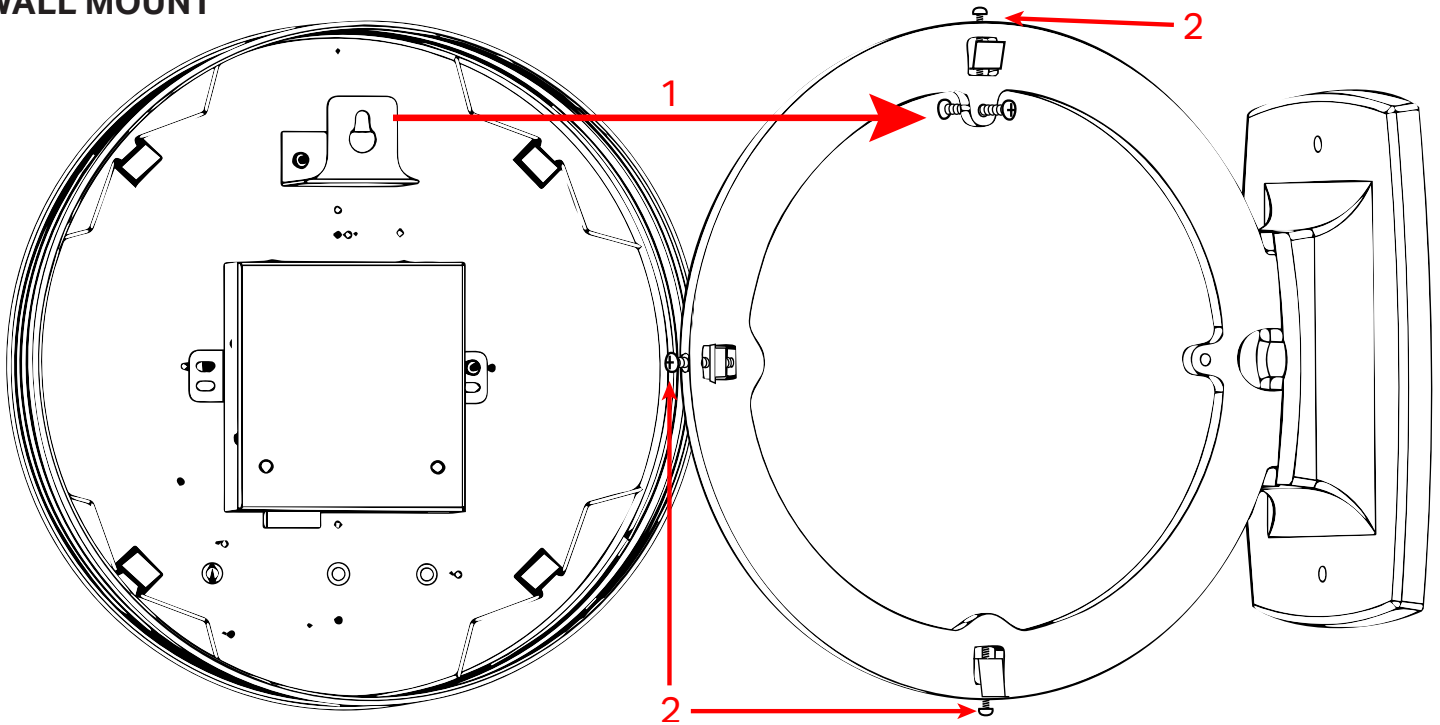
1. Connect the Molex plug halves from the clocks to the Molex plug halves coming from the wall, making sure to observe proper orientation and wiring alignment.



CLOCK INSTALLATION

1. Hang the clocks on the mounting ring by placing the metal hanger on the back of the clocks on the protruding screws on the mounting ring.
2. Tighten the three mounting clips on the mounting ring to secure the clocks in place.

WALL MOUNT



CEILING MOUNT

