

**IMPULSE/MECHANICAL ANALOG STEEL DOUBLE-DIAL CLOCK INSTALLATION**

INSTRUCTION SHEET: INST-DDA-MECH

REVISION: # 1

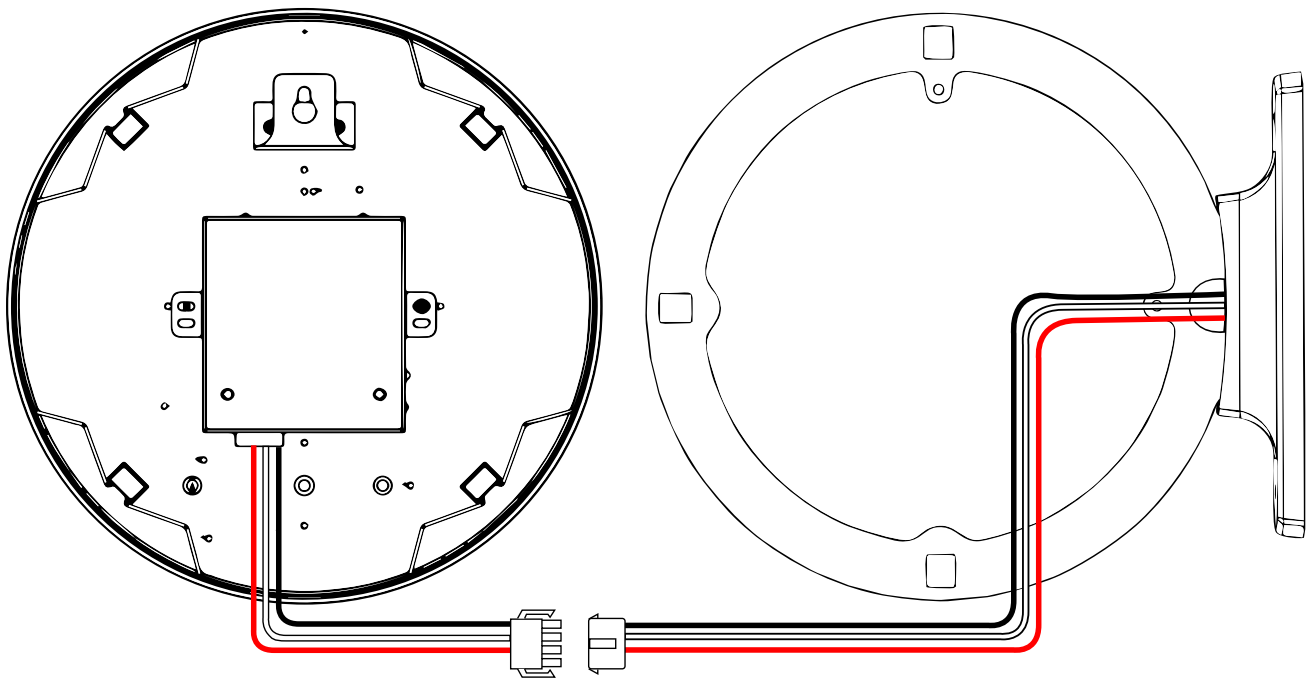
EFFECTIVE: 11-27-2024

**IMPORTANT:** If the double-dial ring has not already been mounted, refer to the instructions provided in the double-dial ring kit for mounting the ring, then return to these instructions to mount the clocks.

**CONNECTING POWER**

1. Connect the Molex plug from the clock to the Molex plug coming from the wall, making sure to observe proper orientation and wiring alignment.
2. Hang the clock on the screw on the mounting ring (see opposite page).
3. Repeat steps 1 and 2 for the second clock.

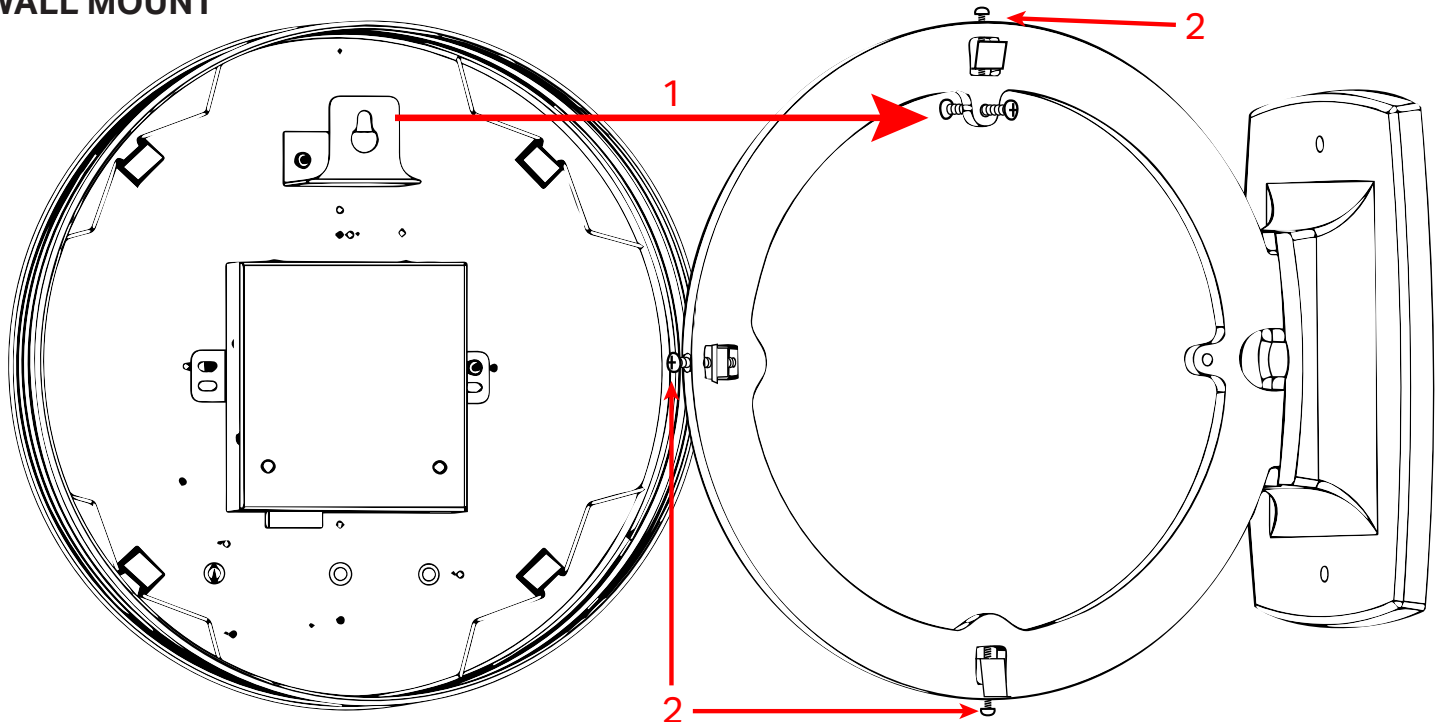
Note: Below diagram shows wiring for 3-wire sync mechanical and impulse clocks; 2-wire sync clocks will have only white/red wires. 120VAC clocks may also include ground wire. Appearance of clock and movement/enclosure may vary depending on model.



## CLOCK INSTALLATION

1. Hang the clock on the mounting ring by placing the metal hanger on the back of the clock on one of the protruding screws on the mounting ring.
2. Once both clocks are placed on their respective screws, tighten the three mounting clips on the mounting ring to secure the clocks in place.

### WALL MOUNT



### CEILING MOUNT

